

Two-Way

High Pressure Ball Valves

SPECIFICATIONS

- Block body
- Full port, sizes 1/4 - 1"
- Reduced port, sizes 1 1/4 - 1 1/2"
- NPT – ORB connections
- POM (Polyacetal) ball seats
- Buna-N O-Rings
- Zinc clear coating (RoHs compliant)
- Temp range -20°F to 215°F
- Nickel plated ball

OPTIONS

- Lock kits
- Actuator packages
- Straight handles
- Red Aluminum handles
- Special ball seats and seals for higher temperature and aggressive applications
- Mounting holes

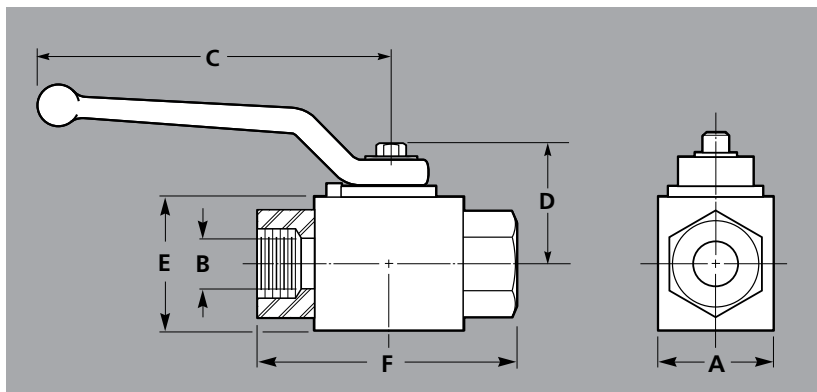


BKH SERIES

WORKING PRESSURE

DIMENSIONS (IN.)

SIZE	THREAD SIZE	PART NUMBER	PSI	BAR	A	B	C	D	E	F
1/4"	1/4" NPTF	BKH-14-NPT-1123-2	7350	500	1.02	.24	4.21	1.20	1.26	2.72
1/4"	7/16" -20 ORB	BKH-14-SAE-1123-2	7350	500	1.02	.24	4.21	1.20	1.26	2.72
3/8"	3/8" NPTF	BKH-38-NPT-1123-2	7350	500	1.26	.39	4.21	1.29	1.50	2.87
3/8"	9/16" -18 ORB	BKH-38-SAE-1123-2	7350	500	1.26	.39	4.21	1.29	1.50	2.87
1/2"	1/2" NPTF	BKH-12-NPT-1123-2	7350	500	1.38	.51	4.21	1.31	1.57	3.62
1/2"	3/4" -16 ORB	BKH-12-SAE-1123-2	7350	500	1.38	.51	4.21	1.31	1.57	3.62
3/4"	3/4" NPTF	BKH-34-NPT-1123-2	6000	415	1.93	.78	6.50	1.91	2.24	3.82
3/4"	1 1/16" -12 ORB	BKH-34-SAE-1123-2	6000	415	1.93	.78	6.50	1.91	2.24	3.82
1"	1" NPTF	BKH-1-NPT-1123-2	6000	415	2.36	.94	6.50	1.95	2.36	4.45
1"	1 5/16" -12 ORB	BKH-1-SAE-1123-2	6000	415	2.36	.94	6.50	1.95	2.36	4.45
1x1 1/4"	1 1/4" NPTF	BKH-114-NPT-1123-2	6000	415	2.36	.94	6.50	1.95	2.36	5.16
1x1 1/4"	1 5/8" -12 ORB	BKH-114-SAE-1123-2	6000	415	2.36	.94	6.50	1.95	2.36	5.16
1x1 1/2"	1 1/2" NPTF	BKH-112-NPT-1123-2	6000	415	2.36	.94	6.50	1.95	2.36	5.47
1x1 1/2"	1 7/8" -12 ORB	BKH-112-SAE-1123-2	6000	415	2.36	.94	6.50	1.95	2.36	5.47



See page 55 for full safety information.

Two-Way

High Pressure Ball Valves

SPECIFICATIONS

- Forged body
- Full port
- NPT – ORB – BSP connections
- POM (Polyacetal) ball seats
- FKM/FPM O-Rings
- Black oxide coating
- Temp range -20°F to 215°F
- Nickel plated ball

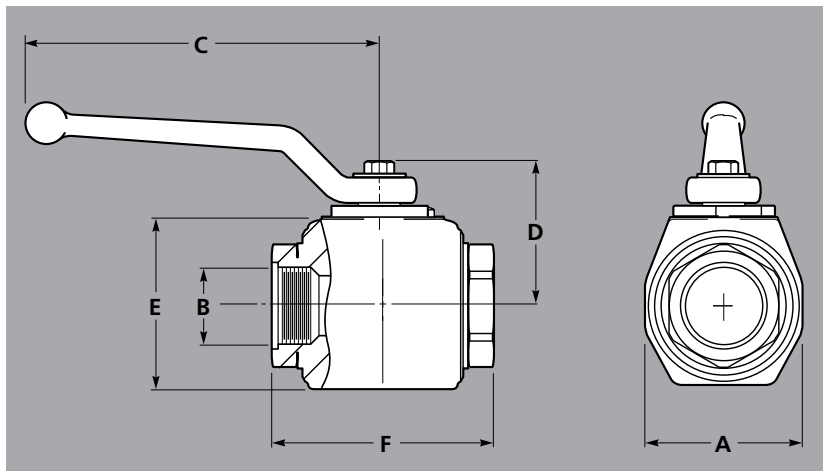
OPTIONS

- Lock kits
- Actuator packages
- Straight handles
- Red Aluminum handles
- Special ball seats and seals for higher temperature and aggressive applications



SKH SERIES

SIZE	THREAD SIZE	PART NUMBER	WORKING PRESSURE		DIMENSIONS (IN.)					
			PSI	BAR	A	B	C	D	E	F
1 1/4"	1 1/4" NPTF	SKH-114-NPT-3125	6000	415	2.99	1.26	8.30	2.10	3.30	4.50
1 1/4"	1 1/4" BSPP	SKH-114-BSP-3125	6000	415	2.99	1.26	8.30	2.10	3.30	4.50
1 1/4"	1 5/8" -12 ORB	SKH-114-SAE-3125	6000	415	2.99	1.26	8.30	2.10	3.30	4.50
1 1/2"	1 1/2" NPTF	SKH-112-NPT-3125	6000	415	3.27	1.50	8.30	2.73	3.62	5.30
1 1/2"	1 1/2" BSPP	SKH-112-BSP-3125	6000	415	3.27	1.50	8.30	2.73	3.62	5.30
1 1/2"	1 7/8" -12 ORB	SKH-112-SAE-3125	6000	415	3.27	1.50	8.30	2.73	3.62	5.30
2"	2" NPTF	SKH-2-NPT-3125	6000	415	3.94	1.89	8.50	3.15	4.37	5.50
2"	2" BSPP	SKH-2-BSP-3125	6000	415	3.94	1.89	8.50	3.15	4.37	5.50
2"	2 1/2" -12 ORB	SKH-2-SAE-3125	6000	415	3.94	1.89	8.50	3.15	4.37	5.50



See page 55 for full safety information.

Two-Way

High Pressure Ball Valves

SPECIFICATIONS

- Forged body
- Full port
- NPT – ORB connections
- POM (Polyacetal) ball seats
- Buna-N O-Rings
- Zinc clear coating (RoHs compliant)
- Temp range -20°F to 215°F
- Nickel plated ball

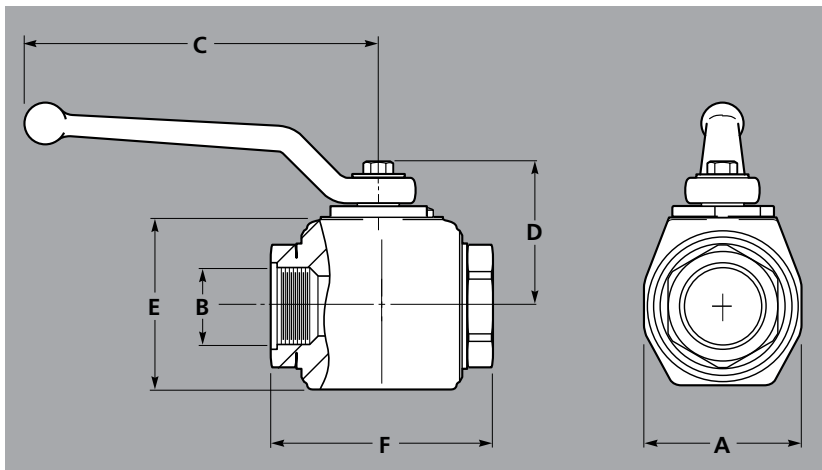
OPTIONS

- Lock kits
- Actuator packages
- Straight handles
- Red Aluminum handles
- Special ball seats and seals for higher temperature and aggressive applications



SKH SERIES

SIZE	THREAD SIZE	PART NUMBER	WORKING PRESSURE		DIMENSIONS (IN.)					
			PSI	BAR	A	B	C	D	E	F
1 1/4"	1 1/4" NPTF	SKH-114-NPT-3123-2	6000	415	2.99	1.26	8.30	2.60	3.30	4.50
1 1/4"	1 5/8" -12 ORB	SKH-114-SAE-3123-2	6000	415	2.99	1.26	8.30	2.60	3.30	4.50
1 1/2"	1 1/2" NPTF	SKH-112-NPT-3123-2	6000	415	3.27	1.50	8.30	2.73	3.62	5.30
1 1/2"	1 7/8" -12 ORB	SKH-112-SAE-3123-2	6000	415	3.27	1.50	8.30	2.73	3.62	5.30
2"	2" NPTF	SKH-2-NPT-3123-2	6000	415	3.94	1.89	8.50	3.15	4.37	5.50
2"	2 1/2" -12 ORB	SKH-2-SAE-3123-2	6000	415	3.94	1.89	8.50	3.15	4.37	5.50



See page 55 for full safety information.

HRKH Series

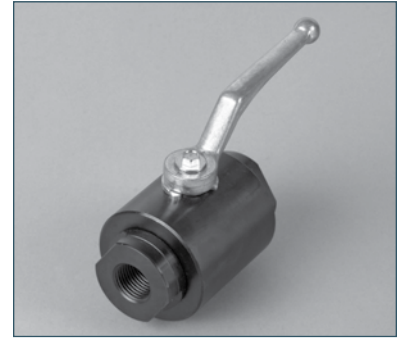
Ultra High-Pressure Ball Valves

SPECIFICATIONS

- Carbon steel
- NPT threads
- POM (Polyacetal) ball seats
- Buna-N O-Rings
- Temp range -20°F to 215°F
- Nickel plated ball

OPTIONS

- Actuator packages
- Straight handles
- Red aluminum handles
- Special ball seats and seals for higher temperature and aggressive applications



HRKH SERIES STEEL

SIZE	THREAD SIZE	PART NUMBER	WORKING PRESSURE		DIMENSIONS (IN.)					
			PSI	BAR	A	B	C	D	E	F
1/4"	1/4" NPTF	HRKH-14-NPT-3923	11,760	800	2.33	.24	4.21	1.61	2.33	3.86
3/8"	3/8" NPTF	HRKH-38-NPT-3923	11,760	800	2.33	.35	4.21	1.61	2.33	3.86
1/2"	1/2" NPTF	HRKH-12-NPT-3923	11,760	800	2.33	.35	4.21	1.61	2.33	3.86
3/4"	3/4" NPTF	HRKH-34-NPT-3923	11,760	800	3.11	.51	6.49	2.20	3.11	4.49
1"	1" NPTF	HRKH-1-NPT-3923	11,760	800	3.11	.67	6.49	2.50	3.70	4.73

SPECIFICATIONS

- 316 Stainless steel
- NPT threads
- POM (Polyacetal) ball seats
- FKM/FPM O-Rings
- Temp range -20°F to 215°F
- Stainless ball

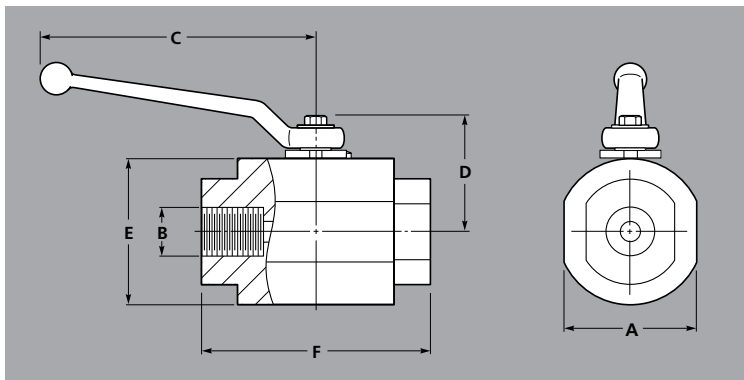
OPTIONS

- Actuator packages
- Stainless handles
- Red Aluminum handles
- Special ball seats and seals for higher temperature and aggressive applications



STAINLESS STEEL

SIZE	THREAD SIZE	PART NUMBER	WORKING PRESSURE		DIMENSIONS (IN.)					
			PSI	BAR	A	B	C	D	E	F
1/4"	1/4" NPTF	HRKH-14-NPT-4425	10,150	700	2.33	.24	4.21	1.61	2.33	3.86
3/8"	3/8" NPTF	HRKH-38-NPT-4425	10,150	700	2.33	.35	4.21	1.61	2.33	3.86
1/2"	1/2" NPTF	HRKH-12-NPT-4425	10,150	700	2.33	.35	4.21	1.61	2.33	3.86
3/4"	3/4" NPTF	HRKH-34-NPT-4425	10,150	700	3.11	.51	6.49	2.20	3.11	4.49
1"	1" NPTF	HRKH-1-NPT-4425	10,150	700	3.11	.67	6.49	2.50	3.70	4.73



See page 55 for full safety information.

RKH Series

316 Stainless Steel Ball Valves

SPECIFICATIONS

- All 316 Stainless steel body, stem & ball
- Full port
- NPT – ORB connections
- POM (Polyacetal) ball seats
- FKM/FPM O-Rings
- Temp range -20°F to 215°F

OPTIONS

- Lock kits
- Actuator packages*
- Stainless handles
- Red Aluminum handles
- Special ball seats and seals for higher temperature and aggressive applications

* Stem stabilizer needed (-D) before actuators can be mounted. Contact PCI for details.

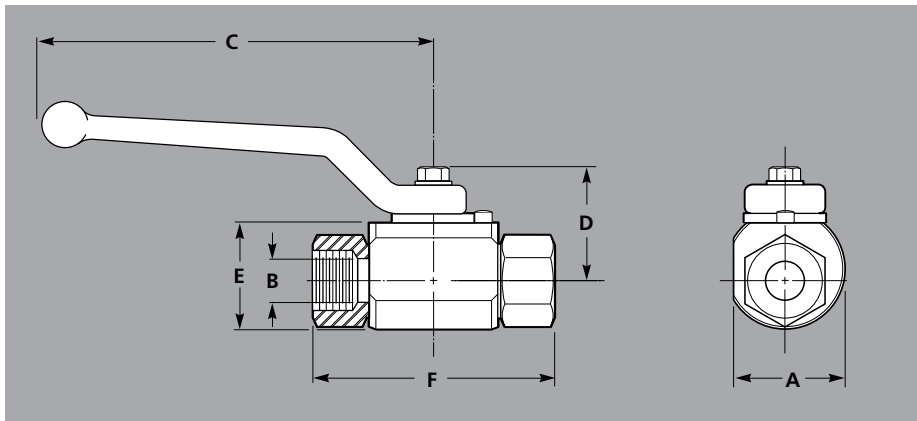


RKH SERIES

WORKING PRESSURE

DIMENSIONS (IN.)

SIZE	THREAD SIZE	PART NUMBER	PSI	BAR	A	B	C	D	E	F
1/4"	1/4" NPTF	RKH-14-NPT-4425	5880	400	1.02	.24	4.21	1.20	1.26	2.72
1/4"	7/16" -20 ORB	RKH-14-SAE-4425	5880	400	1.02	.24	4.21	1.20	1.26	2.72
3/8"	3/8" NPTF	RKH-38-NPT-4425	5880	400	1.26	.39	4.21	1.29	1.50	2.87
3/8"	9/16" -18 ORB	RKH-38-SAE-4425	5880	400	1.26	.39	4.21	1.29	1.50	2.87
1/2"	1/2" NPTF	RKH-12-NPT-4425	5880	400	1.38	.51	4.21	1.31	1.57	3.62
1/2"	3/4" -16 ORB	RKH-12-SAE-4425	5880	400	1.38	.51	4.21	1.31	1.57	3.62
3/4"	3/4" NPTF	RKH-34-NPT-4425	5145	350	1.93	.79	6.50	1.91	2.24	3.82
3/4"	1 1/16" -12 ORB	RKH-34-SAE-4425	5145	350	1.93	.79	6.50	1.91	2.24	3.82
1"	1" NPTF	RKH-1-NPT-4425	5145	350	2.36	.94	6.50	1.95	2.36	4.45
1"	1 5/16" -12 ORB	RKH-1-SAE-4425	5145	350	2.36	.94	6.50	1.95	2.36	4.45
1 1/4"	1 1/4" NPTF	RKH-114-NPT-4425	5880	400	3.54	1.25	8.30	2.59	3.30	6.54
1 1/4"	1 5/8" -12 ORB	RKH-114-SAE-4425	5880	400	3.54	1.25	8.30	2.59	3.30	6.54
1 1/2"	1 1/2" NPTF	RKH-112-NPT-4425	5880	400	3.26	1.49	8.30	2.73	3.62	7.14
1 1/2"	1 7/8" -12 ORB	RKH-112-SAE-4425	5880	400	3.26	1.49	8.30	2.73	3.62	7.14
2"	2" NPTF	RKH-2-NPT-4425	5880	400	3.94	1.89	8.50	3.15	4.37	9.30
2"	2 1/2" -12 ORB	RKH-2-SAE-4425	5880	400	3.94	1.89	8.50	3.15	4.37	9.30



See page 55 for full safety information.

Stecko and Super Stecko

Mining Ball Valves

SPECIFICATIONS

- Full port
- POM (Polyacetal) ball seats
- Buna-N O-Rings
- Temp range -20°F to 215°F
- Nickel plated ball

APPLICATION

- Long wall coal mining

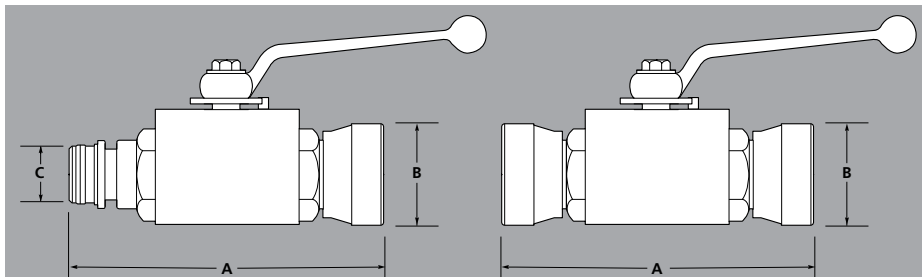


BBKH SERIES REGULAR STECKO

SIZE	CONNECTION	PART NUMBER	WORKING PRESSURE		DIMENSIONS (IN.)		
			PSI	BAR	A	B	C
1/4"	M x F	BBKH-06-1123-1-FM	7350	500	4.17	.98	.59
1/4"	F x F	BBKH-06-1123-1-FF	7350	500	4.17	.98	
3/8"	M x F	BBKH-10-1123-1-FM	7350	500	4.45	1.18	.79
3/8"	F x F	BBKH-10-1123-1-FF	7350	500	4.45	1.18	
1/2"	M x F	BBKH-13-1123-1-FM	7350	500	4.65	1.26	.94
1/2"	F x F	BBKH-13-1123-1-FF	7350	500	4.65	1.26	
3/4"	M x F	BBKH-20-1123-1-FM	5880	400	5.43	1.57	1.14
3/4"	F x F	BBKH-20-1123-1-FF	5880	400	5.43	1.57	
1"	M x F	BBKH-25-1123-1-FM	5145	350	5.94	2.17	1.54
1"	F x F	BBKH-25-1123-1-FF	5145	350	5.94	2.17	
1 1/4"	M x F	BBKH-32-3123-1-FM	5145	350	6.50	2.36	1.81
1 1/4"	F x F	BBKH-32-3123-1-FF	5145	350	6.54	2.36	
1 1/2"	M x F	BBKH-40-3123-1-FM	5145	350	8.54	2.76	2.20
1 1/2"	F x F	BBKH-40-3123-1-FF	5145	350	8.78	2.76	
2"	M x F	BBKH-50-3123-1-FM	5145	350	8.58	2.15	2.52
2"	F x F	BBKH-50-3123-1-FF	5145	350	9.37	3.15	

SUPER STECKO

SIZE	CONNECTION	PART NUMBER	WORKING PRESSURE		DIMENSIONS (IN.)		
			PSI	BAR	A	B	C
1 1/4"	M x F	BSKH-32-3123-1-FM-SS	5145	350	8.04	2.76	1.81
1 1/4"	F x F	BSKH-32-3123-1-FF-SS	5145	350	8.04	2.76	
1 1/2"	M x F	BSKH-40-3123-1-FM-SS	5145	350	8.98	3.25	2.15
1 1/2"	F x F	BSKH-40-3123-1-FF-SS	5145	350	8.67	3.25	
2"	M x F	BSKH-50-3123-1-FM-SS	5145	350	10.18	3.74	2.50
2"	F x F	BSKH-50-3123-1-FF-SS	5145	350	10.24	3.74	



See page 55 for full safety information.

Three-Way Diverter Valves

SPECIFICATIONS

- Block body
- Full port
- NPT – ORB connections
- POM (Polyacetal) ball seats
- Black oxide coating
- FKM/FPM O-Rings
- Temp range -20°F to 215°F
- Nickel plated ball

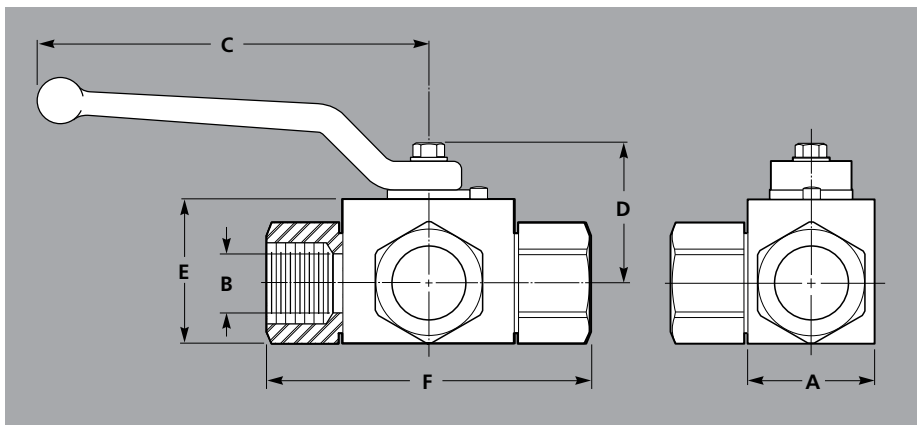
OPTIONS

- Lock kits
- Actuator packages
- Straight handles
- Red aluminum handles
- Special ball seats and seals for higher temperature and aggressive applications
- Stainless steel

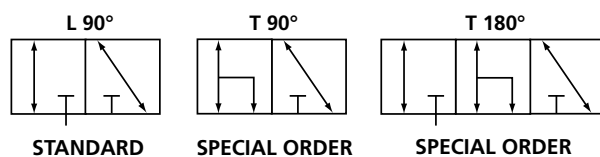


BK3 SERIES

SIZE	THREAD SIZE	PART NUMBER	WORKING PRESSURE		DIMENSIONS (IN.)					
			PSI	BAR	A	B	C	D	E	F
1/4"	1/4" NPTF	BK3-14-NPT-1125-L	5880	400	1.02	.24	4.21	1.20	1.26	2.72
1/4"	7/16" -20 ORB	BK3-14-SAE-1125-L	5880	400	1.02	.24	4.21	1.20	1.26	2.72
3/8"	3/8" NPTF	BK3-38-NPT-1125-L	5880	400	1.26	.39	4.21	1.29	1.50	2.87
3/8"	9/16" -18 ORB	BK3-38-SAE-1125-L	5880	400	1.26	.39	4.21	1.29	1.50	2.87
1/2"	1/2" NPTF	BK3-12-NPT-1125-L	5145	350	1.38	.51	4.21	1.31	1.57	3.62
1/2"	3/4" -16 ORB	BK3-12-SAE-1125-L	5145	350	1.38	.51	4.21	1.31	1.57	3.62
3/4"	3/4" NPTF	BK3-34-NPT-1125-L	5145	350	1.93	.79	6.50	1.91	2.24	3.82
3/4"	1 1/16" -12 ORB	BK3-34-SAE-1125-L	5145	350	1.93	.79	6.50	1.91	2.24	3.82
1"	1" NPTF	BK3-1-NPT-1125-L	5145	350	2.36	.94	6.50	1.95	2.36	4.45
1"	1 5/16" -12 ORB	BK3-1-SAE-1125-L	5145	350	2.36	.94	6.50	1.95	2.36	4.45



NOTE: The sealing function of the BK3/SK3 standard valves is only given when the pressure standing on the closed port is less than or equal to the inlet pressure of the open port.



See page 55 for full safety information.

Three-Way Diverter Valves

SPECIFICATIONS

- Block body
- Full port
- NPT – ORB connections
- POM (Polyacetal) ball seats
- Buna O-Rings
- Zinc clear coating (ROHS compliant)
- Temp range -20°F to 215°F
- Nickel plated ball

OPTIONS

- Lock kits
- Actuator packages
- Straight handles
- Red aluminum handles
- Special ball seats and seals for higher temperature and aggressive applications
- Mounting holes
- Stainless steel

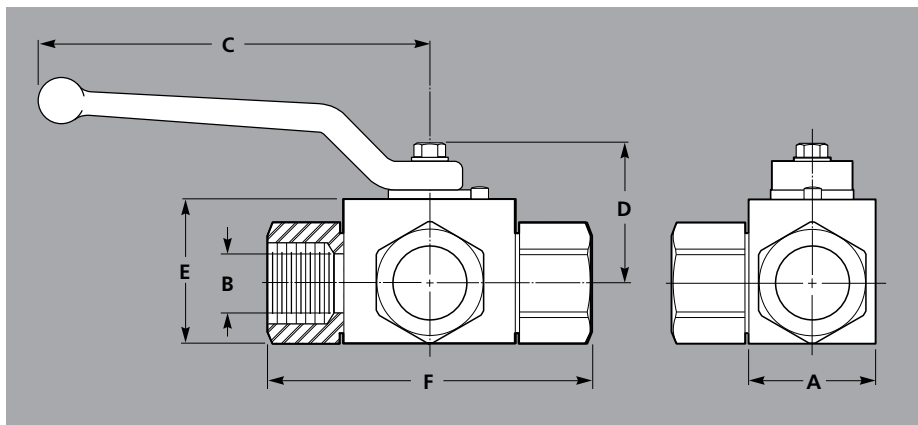


BK3 SERIES

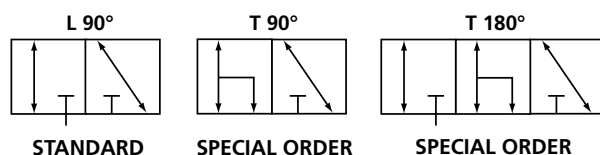
WORKING PRESSURE

DIMENSIONS (IN.)

SIZE	THREAD SIZE	PART NUMBER	PSI	BAR	A	B	C	D	E	F
1/4"	1/4" NPTF	BK3-14-NPT-1123-2-L	5880	400	1.02	.24	4.21	1.20	1.26	2.72
1/4"	7/16" -20 ORB	BK3-14-SAE-1123-2-L	5880	400	1.02	.24	4.21	1.20	1.26	2.72
3/8"	3/8" NPTF	BK3-38-NPT-1123-2-L	5880	400	1.26	.39	4.21	1.29	1.50	2.87
3/8"	9/16" -18 ORB	BK3-38-SAE-1123-2-L	5880	400	1.26	.39	4.21	1.29	1.50	2.87
1/2"	1/2" NPTF	BK3-12-NPT-1123-2-L	5145	350	1.38	.51	4.21	1.31	1.57	3.62
1/2"	3/4" -16 ORB	BK3-12-SAE-1123-2-L	5145	350	1.38	.51	4.21	1.31	1.57	3.62
3/4"	3/4" NPTF	BK3-34-NPT-1123-2-L	5145	350	1.93	.79	6.50	1.91	2.24	3.82
3/4"	1 1/16" -12 ORB	BK3-34-SAE-1123-2-L	5145	350	1.93	.79	6.50	1.91	2.24	3.82
1"	1" NPTF	BK3-1-NPT-1123-2-L	5145	350	2.36	.94	6.50	1.95	2.36	4.45
1"	1 5/16" -12 ORB	BK3-1-SAE-1123-2-L	5145	350	2.36	.94	6.50	1.95	2.36	4.45



NOTE: The sealing function of the BK3/SK3 standard valves is only given when the pressure standing on the closed port is less than or equal to the inlet pressure of the open port.



See page 55 for full safety information.

Three-Way Diverter Valves

SPECIFICATIONS

- Forged body
- Full port
- NPT – ORB connections
- POM (Polyacetal) ball seats
- Black oxide coating
- FKM/FPM O-Rings
- Temp range -20°F to 215°F
- Nickel plated ball

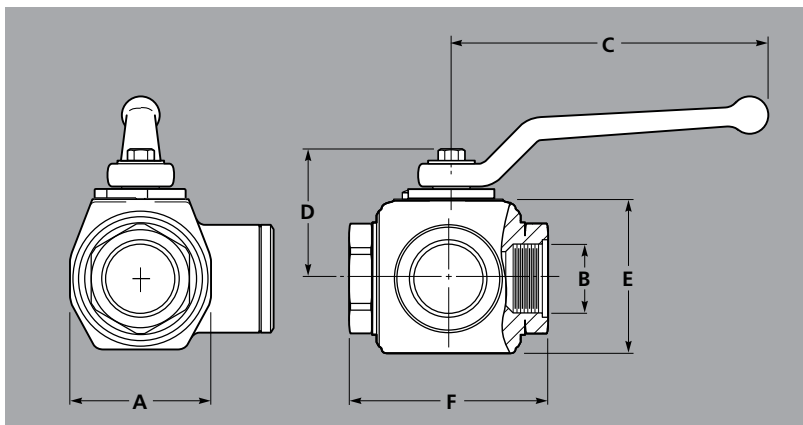
OPTIONS

- Lock kits
- Actuator packages
- Red aluminum handles
- Special ball seats and seals for higher temperature and aggressive applications
- Stainless steel

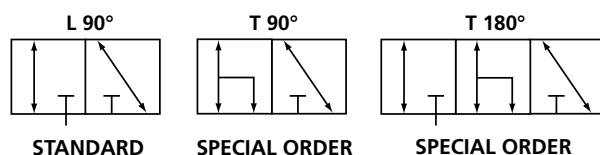


SK3 SERIES

SIZE	THREAD SIZE	PART NUMBER	WORKING PRESSURE		DIMENSIONS (IN.)					
			PSI	BAR	A	B	C	D	E	F
1 1/4"	1 1/4" NPTF	SK3-114-NPT-3125-L	5145	350	2.99	1.18	8.50	2.60	3.30	4.53
1 1/4"	1 5/8" -12 ORB	SK3-114-SAE-3125-L	5145	350	2.99	1.18	8.50	2.60	3.30	4.53
1 1/2"	1 1/2" NPTF	SK3-112-NPT-3125-L	5145	350	3.27	1.37	8.30	2.73	3.62	4.81
1 1/2"	1 7/8" -12 ORB	SK3-112-SAE-3125-L	5145	350	3.27	1.37	8.30	2.73	3.62	4.81
2"	2" NPTF	SK3-2-NPT-3125-L	5145	350	3.94	1.73	8.30	3.15	4.37	5.53
2"	2 1/2" -12 ORB	SK3-2-SAE-3125-L	5145	350	3.94	1.73	8.30	3.15	4.37	5.53



NOTE: The sealing function of the BK3/SK3 standard valves is only given when the pressure standing on the closed port is less than or equal to the inlet pressure of the open port.



See page 55 for full safety information.

Direct Mount

2-Way/3-Way Ball Valves

SPECIFICATIONS

- Block body
- Full port
- Code 62
- Direct mount
- POM (Polyacetal) ball seats
- FKM/FPM O-Rings
- Temp range -20°F to 215°F
- Nickel plated ball

OPTIONS

- Locking device
- Actuator packages
- Red aluminum handles
- Special ball seats and seals for higher temperature and aggressive applications



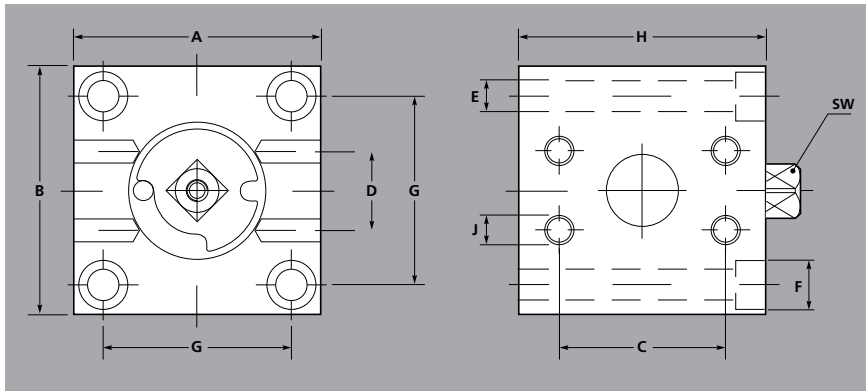
PV2 SERIES

PV3 SERIES

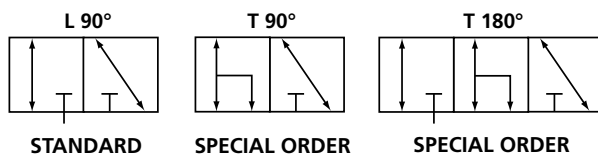
WORKING
PRESSURE

DIMENSIONS (IN.)

SIZE	PART NUMBER	PSI	BAR		A	B	C	D	E	F	G	H	J	SW
1/2"	PV2-13-SAE-6000-1125	5880	400	2	2.37	2.37	1.60	.72	.36	.59	1.70	2.21	M8	.36
1/2"	PV3-13-SAE-6000-1125	5880	400	3	2.37	2.37	1.60	.72	.36	.59	1.70	2.21	M8	.36
3/4"	PV2-20-SAE-6000-1125	5880	400	2	3.15	3.15	2.00	.94	.44	.71	2.37	2.84	M10	.56
3/4"	PV3-20-SAE-6000-1125	5880	400	3	3.15	3.15	2.00	.94	.44	.71	2.37	2.84	M10	.56
1"	PV2-25-SAE-6000-1125	5880	400	2	3.70	3.70	2.25	1.10	.44	.71	2.76	3.019	M12	.56
1"	PV3-25-SAE-6000-1125	5880	400	3	3.70	3.70	2.25	1.10	.44	.71	2.76	3.19	M12	.56
1 1/4"	PV2-32-SAE-6000-1125	5880	400	2	3.94	3.94	2.63	1.25	.50	.79	3.00	3.94	M14	.67
1 1/4"	PV3-32-SAE-6000-1125	5880	400	3	3.94	3.94	2.63	1.25	.50	.79	3.00	3.94	M14	.67
1 1/2"	PV2-40-SAE-6000-1125	5880	400	2	4.33	4.33	3.13	1.44	.50	.79	3.31	4.41	M16	.67
1 1/2"	PV3-40-SAE-6000-1125	5880	400	3	4.33	4.33	3.13	1.44	.50	.79	3.31	4.41	M16	.67
2"	PV2-50-SAE-6000-1125	5880	400	2	5.12	5.12	3.82	1.75	.50	.79	4.26	5.32	M20	.67
2"	PV3-50-SAE-6000-1125	5880	400	3	5.12	5.12	3.82	1.75	.50	.79	4.26	5.32	M20	.67



NOTE: The sealing function of the BK3/SK3 standard valves is only given when the pressure standing on the closed port is less than or equal to the inlet pressure of the open port.



See page 55 for full safety information.

Code 61/62

Split Flange Ball Valves

SPECIFICATIONS

- Block body
- Full port
- Code 61/62 split flange ends
- POM (Polyacetal) ball seats
- FKM/FPM O-Rings
- Temp range -20°F to 215°F
- Black oxide coating
- Nickel plated ball

OPTIONS

- Lock kits
- Actuator packages
- Straight handles
- Red aluminum handles
- Special ball seats and seals for higher temperature and aggressive applications
- Stainless steel



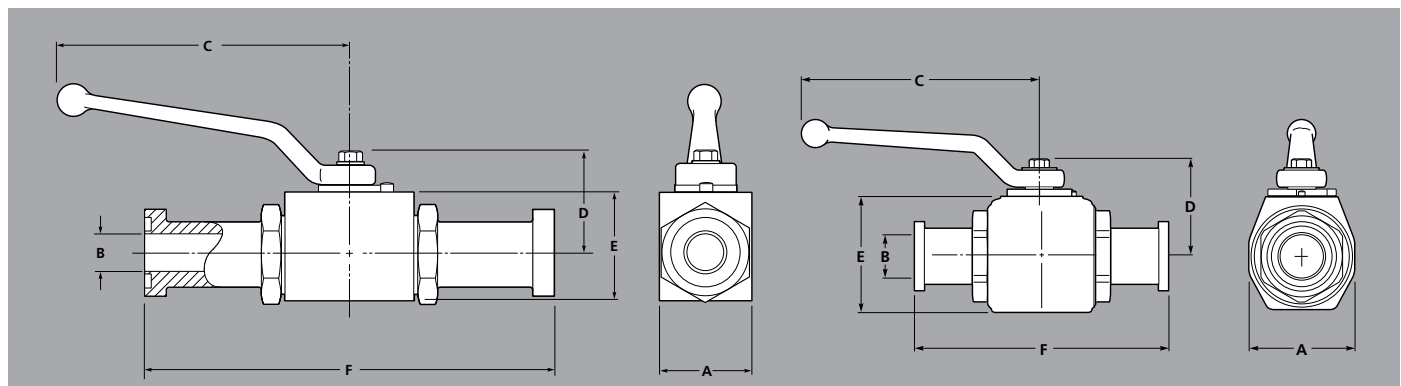
SPLIT FLANGE

WORKING PRESSURE

DIMENSIONS (IN.)

SIZE	PART NUMBER	CODE	FLANGE SIZE	PSI	BAR	A	B	C	D	E	F
1/2"	BKH-13-SAE-3000-S-1125	61	1/2"	4630	315	1.37	.49	4.21	1.32	1.57	5.95
1/2"	BKH-13-SAE-6000-S-1125	62	1/2"	5880	400	1.37	.49	4.21	1.32	1.57	5.95
3/4"	BKH-20-SAE-3000-S-1125	61	3/4"	4630	315	1.93	.75	6.50	1.90	2.24	6.38
3/4"	BKH-20-SAE-6000-S-1125	62	3/4"	5880	400	1.93	.75	6.50	1.90	2.24	6.38
1"	BKH-25-SAE-3000-S-1125	61	1"	4630	315	2.36	.95	6.50	1.95	2.36	7.01
1"	BKH-25-SAE-6000-S-1125	62	1"	5880	400	2.36	.95	6.50	1.95	2.36	7.80
1 1/4"	SKH-32-SAE-3000-S-3125	61	1 1/4"	3675	250	2.99	1.25	8.30	2.60	3.30	7.50
1 1/4"	SKH-32-SAE-6000-S-3125	62	1 1/4"	5880	400	2.99	1.25	8.30	2.60	3.30	8.78
1 1/2"	SKH-40-SAE-3000-S-3125	61	1 1/2"	2940	200	3.27	1.50	8.30	2.74	3.62	9.10
1 1/2"	SKH-40-SAE-6000-S-3125	62	1 1/2"	5880	400	3.27	1.50	8.30	2.74	3.62	11.07
2"	SKH-50-SAE-3000-S-3125	61	2"	2940	200	3.94	1.89	8.30	3.15	4.37	9.14
2"	SKH-50-SAE-6000-S-3125	62	2"	5880	400	3.94	1.89	8.30	3.15	4.37	12.44

NOTE: Sizes 1/2"-1" are block body, sizes 1 1/4"-2" are forged body.



BLOCK BODY SIZES 1/2"-1"

FORGED BODY SIZES 1 1/4"-2"



See page 55 for full safety information.

Code 61/62

Full Flange Ball Valves

SPECIFICATIONS

- Block body
- Full port
- Code 61/62 full flange ends
- POM (Polyacetal) ball seats
- Buna-N O-Rings
- Temp range -20°F to 215°F
- Black oxide coating
- Nickel plated ball

OPTIONS

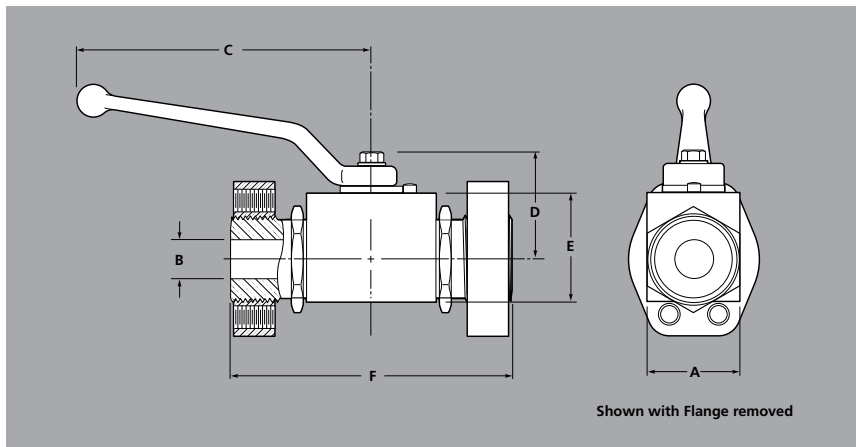
- Lock kits
- Actuator packages
- Straight handles
- Red aluminum handles
- Special ball seats and seals for higher temperature and aggressive applications
- Stainless steel



SIZE	PART NUMBER	CODE	FLANGE SIZE	WORKING PRESSURE		DIMENSIONS (IN.)							METRIC	UNC
				PSI	BAR	A	B	C	D	E	F			
1/2"	BKH-13-SAE-3000-F-1123	61	1/2"	4630	315	1.37	.49	4.21	1.32	1.57	4.09	M8	5/16"-18	
1/2"	BKH-13-SAE-6000-F-1123	62	1/2"	5880	400	1.37	.49	4.21	1.32	1.57	4.09	M8	5/16"-18	
3/4"	BKH-20-SAE-3000-F-1123	61	3/4"	4630	315	1.93	.75	6.50	1.90	2.24	4.76	M10	3/8"-16	
3/4"	BKH-20-SAE-6000-F-1123	62	3/4"	5880	400	1.93	.75	6.50	1.90	2.24	4.76	M10	3/8"-16	
1"	BKH-25-SAE-3000-F-1123	61	1"	4630	315	2.36	.95	6.50	1.95	2.36	5.24	M10	3/8"-16	
1"	BKH-25-SAE-6000-F-1123	62	1"	5880	400	2.36	.95	6.50	1.95	2.36	5.24	M10	7/16"-14	
1 1/4"	SKH-32-SAE-3000-F-3123	61	1 1/4"	3675	250	2.99	1.25	8.30	2.60	3.30	6.42	M10	7/16"-14	
1 1/4"	SKH-32-SAE-6000-F-3123	62	1 1/4"	5880	400	2.99	1.25	8.30	2.60	3.30	6.42	M14	1/2"-13	
1 1/2"	SKH-40-SAE-3000-F-3123	61	1 1/2"	2940	200	3.27	1.50	8.30	2.74	3.62	6.61	M12	1/2"-13	
1 1/2"	SKH-40-SAE-6000-F-3123	62	1 1/2"	5880	400	3.27	1.50	8.30	2.74	3.62	6.61	M16	5/8"-11	
2"	SKH-50-SAE-3000-F-3123	61	2"	2940	200	3.94	1.89	8.30	3.15	4.37	7.32	M12	3/4"-10	
2"	SKH-50-SAE-6000-F-3123	62	2"	5880	400	3.94	1.89	8.30	3.15	4.37	7.32	M20	3/4"-10	

NOTE: Valves come standard with metric bolt holes.

NOTE: Sizes 1/2"-1" are block body, sizes 1 1/4"-2" are forged body.



See page 55 for full safety information.

Code 61/62

Split x Full Flange Combination Ball Valves

SPECIFICATIONS

- Block body
- Full port
- Code 61/62 full flange ends
- POM (Polyacetal) ball seats
- Buna-N O-Rings
- Temp range -20°F to 215°F
- Black oxide coating
- Nickel plated ball

OPTIONS

- Lock kits
- Actuator packages
- Straight handles
- Red aluminum handles
- Special ball seats and seals for higher temperature and aggressive applications
- Stainless steel



SPLIT x FULL FLANGE

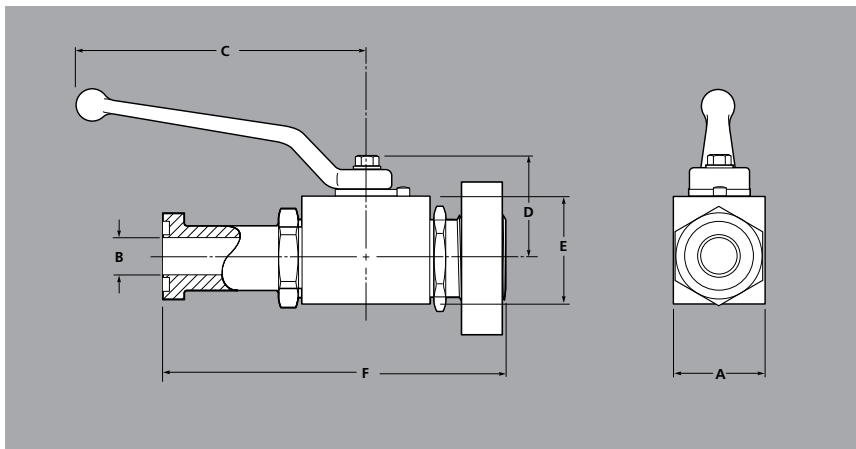
WORKING PRESSURE

DIMENSIONS (IN.)

SIZE	PART NUMBER	CODE	FLANGE SIZE	PSI	BAR	A	B	C	D	E	F	METRIC	UNC
1/2"	BKH-13-SAE-3000-D/S-1123	61	1/2"	4630	315	1.37	.49	4.21	1.32	1.57	5.02	M8	5/16"-18
1/2"	BKH-13-SAE-6000-D/S-1123	62	1/2"	5880	400	1.37	.49	4.21	1.32	1.57	5.02	M8	5/16"-18
3/4"	BKH-20-SAE-3000-D/S-1123	61	3/4"	4630	315	1.93	.75	6.50	1.90	2.24	5.57	M10	3/8"-16
3/4"	BKH-20-SAE-6000-D/S-1123	62	3/4"	5880	400	1.93	.75	6.50	1.90	2.24	5.81	M10	3/8"-16
1"	BKH-25-SAE-3000-D/S-1123	61	1"	4630	315	2.36	.95	6.50	1.95	2.36	6.31	M10	3/8"-16
1"	BKH-25-SAE-6000-D/S-1123	62	1"	5880	400	2.36	.95	6.50	1.95	2.36	6.52	M10	7/16"-14
1 1/4"	SKH-32-SAE-3000-D/S-3123	61	1 1/4"	3675	250	2.99	1.25	8.30	2.60	3.30	6.95	M10	7/16"-14
1 1/4"	SKH-32-SAE-6000-D/S-3123	62	1 1/4"	5880	400	2.99	1.25	8.30	2.60	3.30	7.00	M14	1/2"-13
1 1/2"	SKH-40-SAE-3000-D/S-3123	61	1 1/2"	2940	200	3.27	1.50	8.30	2.74	3.62	7.86	M12	1/2"-13
1 1/2"	SKH-40-SAE-6000-D/S-3123	62	1 1/2"	5880	400	3.27	1.50	8.30	2.74	3.62	8.86	M16	5/8"-11
2"	SKH-50-SAE-3000-D/S-3123	61	2"	2940	200	3.94	1.89	8.30	3.15	4.37	8.32	M12	1/2"-13
2"	SKH-50-SAE-6000-D/S-3123	62	2"	5880	400	3.94	1.89	8.30	3.15	4.37	9.89	M20	3/4"-10

NOTE: Valves come standard with metric bolt holes.

NOTE: Sizes 1/2"-1" are block body, sizes 1 1/4"-2" are forged body.



See page 55 for full safety information.

FCKH Series

Direct Mount Flanged Ball Valves

SPECIFICATIONS

- 1" - 4" sizes
- Floating ball
- Code 61/62 connections
- POM (Polyacetal) ball seats
- Buna-N O-Rings
- Temp range -20°F to 215°F

APPLICATIONS

- Hydraulic
- Gas industry
- Environmental industry
- Petrochemical

OPTIONS

- Lock kits
- Actuator packages
- Stainless steel



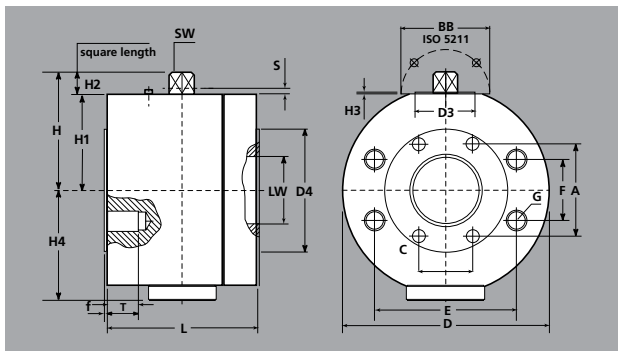
DIRECT MOUNT

CODE 61/62 COMBINATION

WORKING PRESSURE

DIMENSIONS (IN.)

SIZE	PART NUMBER	PSI	BAR	L	D	H	H1	H2	SW	D3	E	F	G METRIC
1"	FCKH-DN25-SAE-3/6-3123-1	5880	400	3.5	4.69	2.46	1.76	.59	.56	2.17	2.26	1.10	M12
1 1/4"	FCKH-DN32-SAE-3/6-3123-1	5880	400	4.5	5.48	3.15	2.30	.73	.67	1.38	2.63	1.26	M14
1 1/2"	FCKH-DN40-SAE-3/6-3123-1	5880	400	4.5	6.26	3.32	2.48	.73	.67	1.38	3.13	1.44	M16
2"	FCKH-DN50-SAE-3/6-3123-1	5880	400	5.0	7.05	3.62	2.77	.73	.67	1.38	3.82	1.76	M20

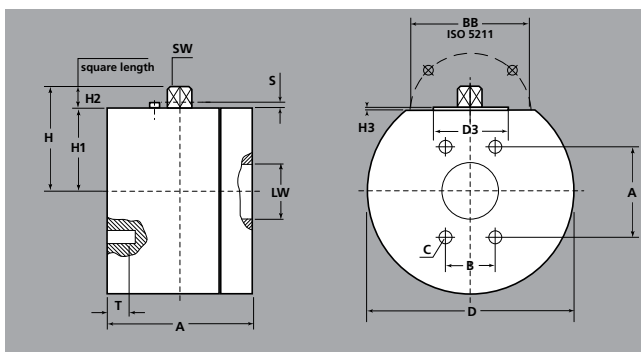


CODE 61

WORKING PRESSURE

DIMENSIONS (IN.)

SIZE	PART NUMBER	PSI	BAR	L	D	D4	F	H	H1	H2	SW	A	B	G METRIC
2 1/2"	FCKH-DN65-SAE-3000-3123-1	2300	160	5.9	7.37	4.57	.02	4.37	3.51	.83	.75	3.50	2.00	M12
3"	FCKH-DN80-SAE-3000-3123-1	2300	160	6.9	8.15	5.59	.02	4.96	3.90	1.03	.87	4.19	2.44	M16
4"	FCKH-DN100-SAE-3000-3123-1	500	35	7.5	9.73	6.78	.02	5.83	4.51	1.22	1.07	5.13	3.07	M20



See page 55 for full safety information.

High Pressure Ball Valve Accessories

LOCK KITS

PART NUMBER	DESCRIPTION	MATERIAL
LK-1	Fits 1/4" - 1/2" BKH-BK3 valves	Steel with black oxide coating
LK-1-C	Fits 1/4" - 1/2" BKH-BK3 valves	Steel with zinc clear coating
LK-1-SS	Fits 1/4" - 1/2" RKH valves	Stainless Steel
LK-2	Fits 3/4" - 1 1/2" BKH-BK3 valves	Steel with black oxide coating
LK-2-C	Fits 3/4" - 1 1/2" BKH-BK3 valves	Steel with zinc clear coating
LK-2-SS	Fits 3/4" - 1" RKH valves	Stainless Steel
LK-3	Fits 1 1/4" - 2" SKH-SK3 valves	Steel with black oxide coating
LK-3-C	Fits 1 1/4" - 2" SKH-SK3 valves	Steel with zinc clear coating
LK-3-SS	Fits 1 1/4" - 2" RKH valves	Stainless Steel



HANDLES

PART NUMBER	DESCRIPTION
SW-09-S	Steel cranked handle for 9mm (.36") stem
SW-09-A	Red Aluminum handle for 9mm (.36") stem
SW-09-SS	Stainless Steel handle for 9mm (.36") stem
SW-14-S	Steel cranked handle for 14mm (.56") stem
SW-14-A	Red Aluminum handle for 14mm (.56") stem
SW-14-SS	Stainless Steel handle for 14mm (.56") stem
SW-17-S	Steel cranked handle for 17mm (.67") stem
SW-17-A	Red Aluminum handle for 17mm (.67") stem



NOTE: Handles come with screws.

SEAL KITS

PART NUMBER	DESCRIPTION
BKH-14-KIT-1123	Seal kit Polyacetal/Buna
BKH-14-KIT-1125	Seal kit Polyacetal/FKM/FPM
BKH-38-KIT-1123	Seal kit Polyacetal/Buna
BKH-38-KIT-1125	Seal kit Polyacetal/FKM/FPM
BKH-12-KIT-1123	Seal kit Polyacetal/Buna
BKH-12-KIT-1125	Seal kit Polyacetal/FKM/FPM
BKH-34-KIT-1123	Seal kit Polyacetal/Buna
BKH-34-KIT-1125	Seal kit Polyacetal/FKM/FPM
BKH-1-KIT-1123	Seal kit Polyacetal/Buna
BKH-1-KIT-1125	Seal kit Polyacetal/FKM/FPM
SKH-114-KIT-3123	Seal kit Polyacetal/Buna
SKH-114-KIT-3125	Seal kit Polyacetal/FKM/FPM
SKH-112-KIT-3123	Seal kit Polyacetal/Buna
SKH-112-KIT-3125	Seal kit Polyacetal/FKM/FPM
SKH-2-KIT-3123	Seal kit Polyacetal/Buna
SKH-2-KIT-3125	Seal kit Polyacetal/FKM/FPM



NOTE: Other seat and seal kits available. Contact PCI for details.

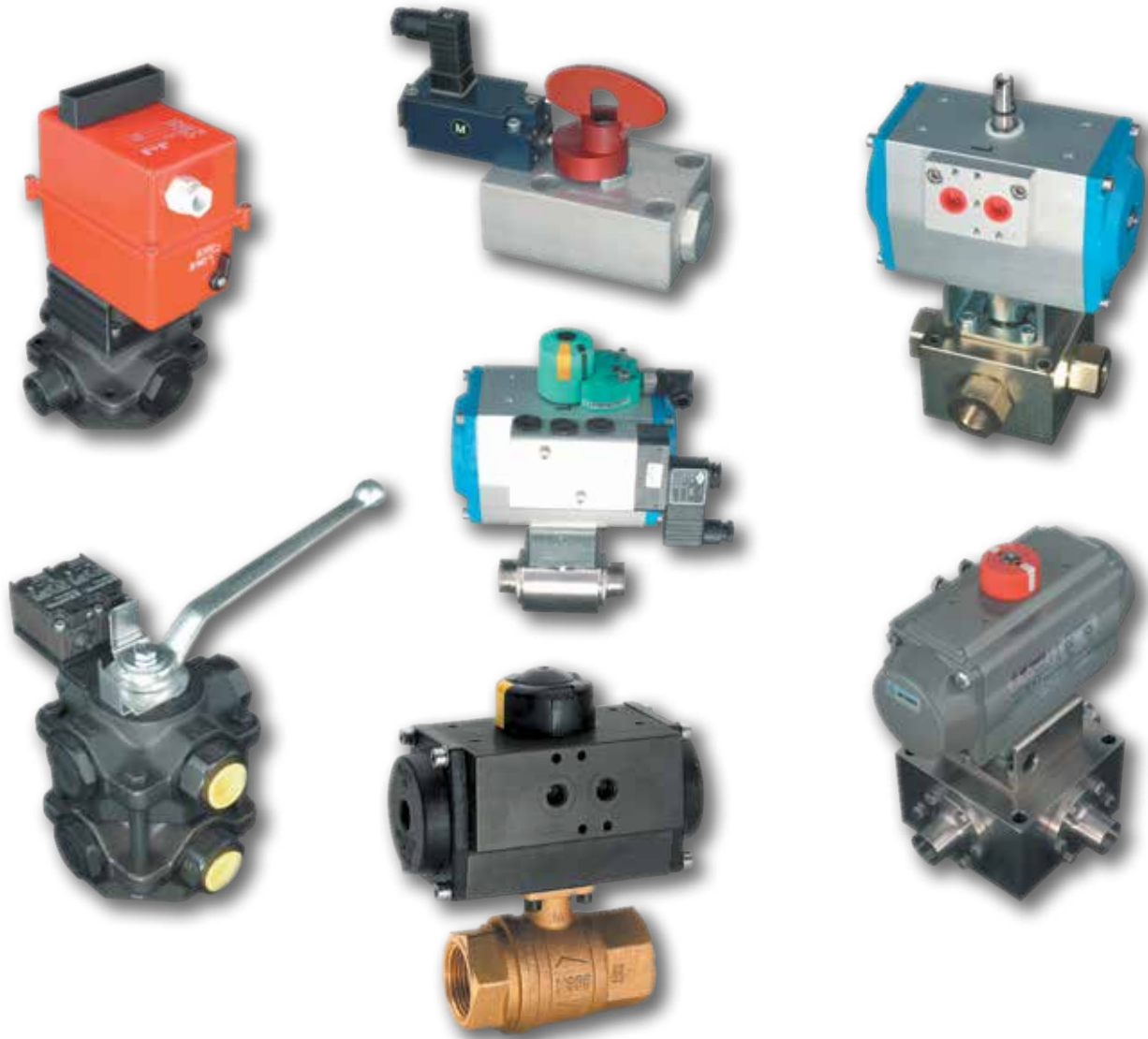


See page 55 for full safety information.

High Pressure Ball Valves

with Actuators and Limit Switches

We offer a wide range of Ball Valves with actuators and limit switches. Contact us today with your requirements.



Please use the following guidelines when requesting a quote:

- Type of actuator (electric, hydraulic or pneumatic?)
- Operation (double acting or spring return?)
- Media? Needs to be specific.
- Maximum system pressure?
- Temperature?
- Environmental (is weatherproofing required?)
- Send all inquiries to sales@pressurecomponents.com



See page 55 for full safety information.

High Pressure Ball Valves

Quality Information/Warnings

All high pressure ball valves on pages 38 through 52 are manufactured in Germany by Pister® Kugelhähne GmbH.

Pister strives to demonstrate the high quality and reliability of its products. The safety standard is demonstrated through the BAM-Seal, DVGW approval and Vds production and automobile registration. Pister is a certified ISO 9001-2000 company.

A quality management system ensures that the organizational, commercial and technical operations that effect the design quality of our products are planned, controlled and monitored, and that contractually agreed requirements will be met.

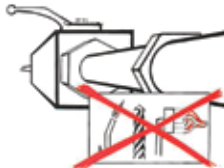
QUALITY CERTIFICATION



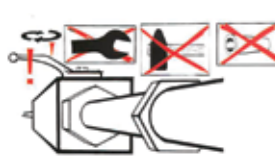
Secure adaptor during installation.



No welding, drilling, etc.



Don't operate a ball valve with a tool or an extension.



Don't remove under pressure.



Don't dismantle.



Failure or improper selection or improper use of any of the products and/or systems found in this catalog can cause death, personal injury and/or property damage.

This catalogue and other information from PISTER-Kugelhähne GmbH provides product options for further investigation by users having technical expertise. It is important that you analyze all aspects of your application and review the information concerning the product in the current product catalogue. Due to the variety of operating conditions and applications for these products, the user, through its own analysis and testing, is solely responsible for making the final selection of the products and assuring that all performance, safety and warning requirements of the application are met. The products described herein, including without limitation, product features, specifications, designs, availability and pricing, are subject to change by PISTER-Kugelhähne GmbH at any time without notice.

MPV Series

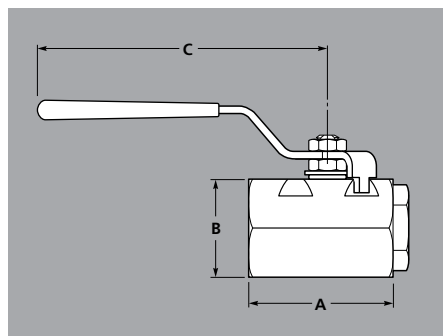
Medium Pressure Ball Valves

SPECIFICATIONS

- Steel body from barstock
- Carbon/Graphite filled PTFE seats and seals
- Full port

TEMP. RATING

- -20°F to 425°F



MPV SERIES

WORKING PRESSURE DIMENSIONS (IN.)

SIZE	PART NUMBER	THREAD SIZE	PSI	BAR	A	B	C
1/4"	MPV-14-NPT	1/4" NPT	3000	205	2.00	1.06	3.78
1/4"	MPV-14-SAE	7/16" -20 ORB	3000	205	2.00	1.06	3.78
3/8"	MPV-38-NPT	3/8" NPT	3000	205	2.00	1.06	3.78
3/8"	MPV-38-SAE	9/16" -18 ORB	3000	205	2.00	1.06	3.78
1/2"	MPV-12-NPT	1/2" NPT	3000	205	2.72	1.62	4.78
1/2"	MPV-12-SAE	3/4" -16 ORB	3000	205	2.72	1.62	4.78
3/4"	MPV-34-NPT	3/4" NPT	3000	205	3.49	1.88	4.78
3/4"	MPV-34-SAE	1 1/16" -12 ORB	3000	205	3.49	1.88	4.78
1"	MPV-1-NPT	1" NPT	3000	205	3.93	2.50	6.10
1"	MPV-1-SAE	1 5/16" -12 ORB	3000	205	3.93	2.50	6.10

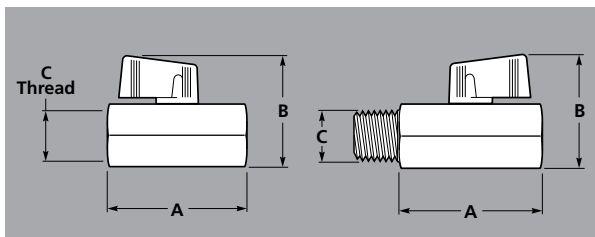
383 Series – Low Pressure Mini Ball Valves

SPECIFICATIONS

- One piece body
- Blow-out proof stem
- FPM O-Rings
- PTFE seats

TEMP. RATING

- 4°F to 200°F



383 SERIES

DIMENSIONS (IN.)

SIZE	PART NUMBER	THREAD (C)	PSI	A	B
1/8"	383N-18-NPT	1/8" F x 1/8" F NPTF	450	1.71	1.50
1/8"	383M-18-NPT	1/8" F x 1/8" M NPTF	450	1.71	1.50
1/4"	383N-14-NPT	1/4" F x 1/4" F NPTF	450	1.71	1.50
1/4"	383M-14-NPT	1/4" F x 1/4" M NPTF	450	1.71	1.50
3/8"	383N-38-NPT	3/8" F x 3/8" F NPTF	450	1.71	1.50
3/8"	383M-38-NPT	3/8" F x 3/8" M NPTF	450	1.71	1.50
1/2"	383N-12-NPT	1/2" F x 1/2" F NPTF	450	2.10	1.73
1/2"	383M-12-NPT	1/2" F x 1/2" M NPTF	450	2.10	1.73

171N Series

Low Pressure Brass Ball Valves

SPECIFICATIONS

- Full port
- Blow-out proof stem
- PTFE seats, seals, washer
- Chrome plated Brass ball
- UL listed

TEMP. RATING

- -22°F to 366°F



REGULAR HANDLE



LOCKING HANDLE

REGULAR HANDLE

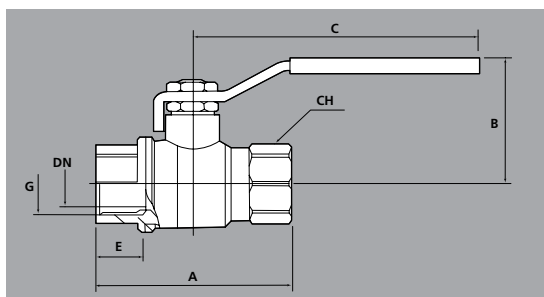
DIMENSIONS (IN.)

SIZE	THREAD SIZE	PART NUMBER	PSI	DN	B	A	C	E	CH
1/4"	1/4" NPTF	171N-14-NPT	600	.39	1.92	1.75	3.54	.46	.78
3/8"	3/8" NPTF	171N-38-NPT	600	.41	1.92	1.75	3.54	.46	.78
1/2"	1/2" NPTF	171N-12-NPT	600	.58	2.08	2.05	3.54	.52	.78
3/4"	3/4" NPTF	171N-34-NPT	600	.74	2.30	2.36	3.78	.56	1.20
1"	1" NPTF	171N-1-NPT	600	.94	2.68	2.75	4.52	.66	1.50
1 1/4"	1 1/4" NPTF	171N-114-NPT	600	1.26	3.14	3.30	4.52	.70	1.82
1 1/2"	1 1/2" NPTF	171N-112-NPT	600	1.57	3.61	3.66	5.51	.72	2.09
2"	2" NPTF	171N-2-NPT	600	1.97	3.68	4.18	5.51	.74	2.12
2 1/2"	2 1/2" NPTF	171N-212-NPT	400	2.52	4.76	5.38	8.66	1.01	3.36
3"	3" NPTF	171N-3-NPT	400	2.95	5.08	6.04	8.66	1.11	3.86
4"	4" NPTF	171N-4-NPT	400	3.89	5.86	7.38	9.00	1.22	4.89

LOCKING HANDLE

DIMENSIONS (IN.)

SIZE	THREAD SIZE	PART NUMBER	PSI	DN	B	A	C	E	CH
1/4"	1/4" NPTF	171N-14-NPT-LH	600	.39	1.83	2.02	3.78	.39	.78
3/8"	3/8" NPTF	171N-38-NPT-LH	600	.39	1.83	2.02	3.78	.39	.78
1/2"	1/2" NPTF	171N-12-NPT-LH	600	.59	1.99	2.44	3.78	.53	.98
3/4"	3/4" NPTF	171N-34-NPT-LH	600	.79	2.48	2.71	4.84	.55	1.22
1"	1" NPTF	171N-1-NPT-LH	600	.98	2.64	3.07	4.84	.66	1.49
1 1/4"	1 1/4" NPTF	171N-114-NPT-LH	600	1.29	3.15	3.42	5.94	.68	1.88
1 1/2"	1 1/2" NPTF	171N-112-NPT-LH	600	1.57	3.38	3.89	5.94	.68	2.12
2"	2" NPTF	171N-2-NPT-LH	600	1.96	3.74	4.33	6.30	.69	2.63
2 1/2"	2 1/2" NPTF	171N-212-NPT-LH	450	2.56	5.02	5.59	8.11	.93	3.54
3"	3" NPTF	171N-3-NPT-LH	450	3.15	5.45	6.45	8.11	1.02	4.13
4"	4" NPTF	171N-4-NPT-LH	450	3.94	6.56	7.60	10.28	1.09	5.12



SLB Series

Low Pressure Stainless Steel Ball Valves

SPECIFICATIONS

- 316 Stainless body, ball and stem
- Pure PTFE seats
- Blow-out proof stems
- Lock handle standard
- Full port

TEMP. RATING

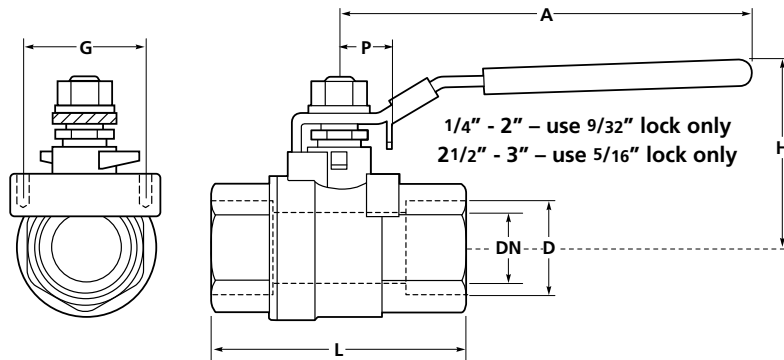
- -20°F to 350°F



SLB SERIES

DIMENSIONS (IN.)

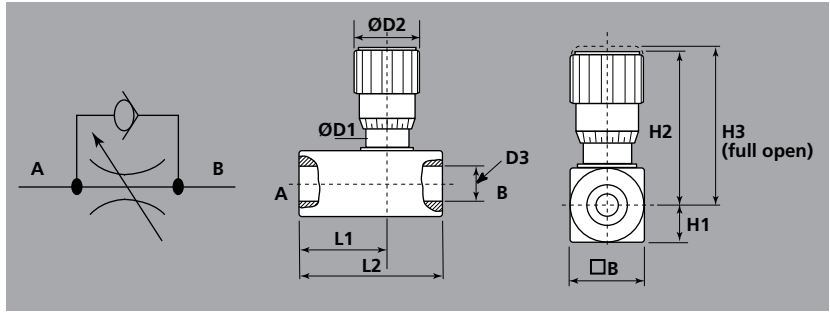
SIZE	THREAD SIZE	PART NUMBER	PSI	D	DN	P	L	G	A	H
1/4"	1/4" NPTF	SLB-14-NPT-LH	1000	1/4"	.45	.38	2.16	1.12	3.93	1.96
3/8"	3/8" NPTF	SLB-38-NPT-LH	1000	3/8"	.49	.38	2.16	1.12	3.93	1.96
1/2"	1/2" NPTF	SLB-12-NPT-LH	1000	1/2"	.59	.43	2.55	1.12	5.11	2.36
3/4"	3/4" NPTF	SLB-34-NPT-LH	1000	3/4"	.78	.43	2.93	1.38	5.11	2.51
1"	1" NPTF	SLB-1-NPT-LH	1000	1"	.98	.53	3.46	1.38	6.49	2.79
1 1/4"	1 1/4" NPTF	SLB-114-NPT-LH	1000	1 1/4"	1.25	.53	4.01	1.50	6.49	3.07
1 1/2"	1 1/2" NPTF	SLB-112-NPT-LH	1000	1 1/2"	1.49	.61	4.33	1.50	7.48	3.38
2"	2" NPTF	SLB-2-NPT-LH	1000	2"	1.96	.61	4.92	1.50	7.48	3.74
2 1/2"	2 1/2" NPTF	SLB-212-NPT-LH	1000	2 1/2"	2.56	1.75	6.02	2.56	9.61	4.72
3"	3" NPTF	SLB-3-NPT-LH	1000	3"	3.15	1.75	6.85	2.56	9.61	5.16



Flow Control and Needle Valves

SPECIFICATIONS

- Micrometer adjustment knob for accurate valve setting
- Rugged construction
- Carbon steel body with black oxide plating
- Zinc alloy handle
- Steel set screw
- Buna-O-Ring/PTFE stem packing



MAXIMUM PRESSURE

- 5000 PSI

TEMP. RATING

- -4°F to 176°F

DIMENSIONS (IN.)

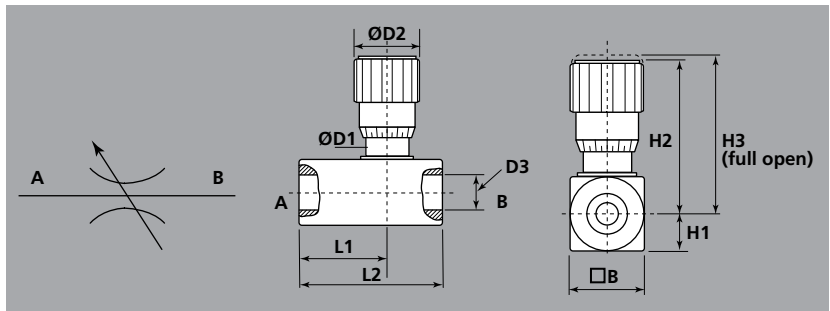
SIZE	PART NUMBER	B	D1	D2	D3	H1	H2	H3	L1	L2	WEIGHT
1/4"	FCV2818-2	1.10	0.76	1.18	1/4" NPTF	0.55	2.41	2.67	1.54	2.52	0.90 lbs
3/8"	FCV2818-3	1.10	0.76	1.18	3/8" NPTF	0.55	2.41	2.67	1.69	2.75	0.90 lbs
1/2"	FCV2818-4	1.50	0.95	1.46	1/2" NPTF	0.75	3.07	3.41	2.05	3.27	2.00 lbs
3/4"	FCV2818-6	1.50	0.95	1.46	3/4" NPTF	0.75	3.08	3.41	2.19	3.50	2.00 lbs
1"	FCV2818-8	1.89	1.38	1.89	1" NPTF	0.94	4.03	4.50	2.79	4.60	4.20 lbs
1 1/4"	FCV2818-10	2.38	1.96	2.28	1 1/4" NPTF	1.18	5.25	5.88	3.39	6.07	9.55 lbs
3/8"	FCV2818-3-SAE	1.10	0.76	1.18	06 SAE	0.55	2.41	2.67	1.69	2.75	0.90 lbs

FLOW CONTROL VALVE



SPECIFICATIONS

- Micrometer adjustment knob for accurate valve setting
- Rugged construction
- Carbon steel body with black oxide plating
- Zinc alloy handle
- Steel set screw
- Buna-O-Ring/PTFE stem packing



MAXIMUM PRESSURE

- 5000 PSI

TEMP. RATING

- -4°F to 176°F

DIMENSIONS (IN.)

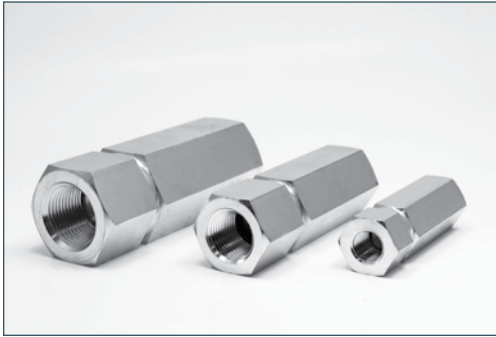
SIZE	PART NUMBER	B	D1	D2	D3	H1	H2	H3	L1	L2	WEIGHT
1/4"	NVI2810-2	1.10	0.76	1.18	1/4" NPTF	0.55	2.41	2.67	1.54	2.52	0.90 lbs
3/8"	NVI2810-3	1.10	0.76	1.18	3/8" NPTF	0.55	2.41	2.67	1.69	2.75	0.90 lbs
1/2"	NVI2810-4	1.50	0.95	1.46	1/2" NPTF	0.75	3.07	3.41	2.05	3.27	2.00 lbs
3/4"	NVI2810-6	1.50	0.95	1.46	3/4" NPTF	0.75	3.08	3.41	2.19	3.50	2.00 lbs
1"	NVI2810-8	1.89	1.38	1.89	1" NPTF	0.94	4.03	4.50	2.79	4.60	4.20 lbs
1 1/4"	NVI2810-10	2.39	1.74	2.26	1 1/4" NPTF	1.20	5.34	5.88	2.24	4.49	7.50 lbs
1 1/2"	NVI2810-12	2.76	2.38	3.17	1 1/2" NPTF	1.38	6.30	7.13	2.41	4.81	15.40 lbs
3/8"	NVI2810-3-SAE	1.10	0.76	1.18	06 SAE	0.55	2.41	2.67	1.69	2.75	0.90 lbs

NEEDLE VALVE



VU Series

Soft-Seat Check Valves



RATED PRESSURE – PSI

BODY SIZE	PSI
1/4"	10,000
3/8"	10,000
1/2"	7250
3/4"	7250
1"	7250
1 1/4"	4350
1 1/2"	4350
2"	4350

STEEL

FEATURES

- Zinc clear plated body
- Captive Buna-N seal
- One piece body

APPLICATIONS

- Agriculture
- Construction
- Hydraulic
- Pneumatic

SPRING PRESSURES

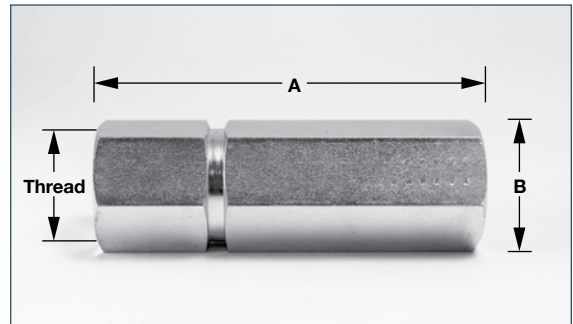
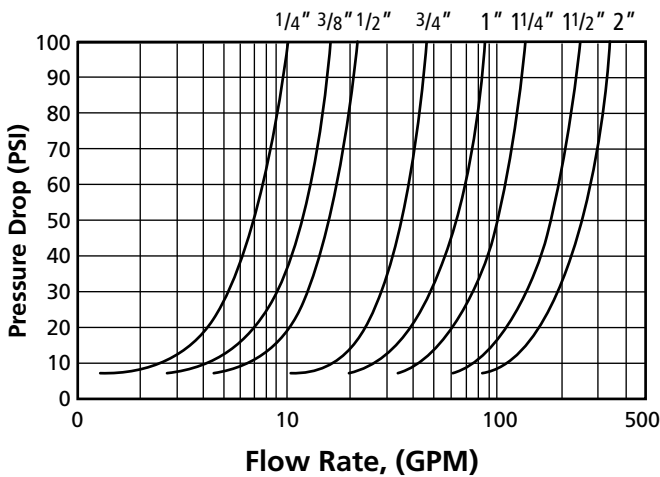
- 7 or 70 PSI

DIMENSIONS (IN.)

SIZE	PART NUMBER	THREAD	SPRING	A	B
1/4"	VU-14-F-7	1/4" NPTF	7 PSI	2.83	.87
1/4"	VU-14-F-70	1/4" NPTF	70 PSI	2.83	.87
3/8"	VU-38-F-7	3/8" NPTF	7 PSI	3.19	.94
3/8"	VU-38-F-70	3/8" NPTF	70 PSI	3.19	.94
1/2"	VU-12-F-7	1/2" NPTF	7 PSI	3.78	1.18
1/2"	VU-12-F-70	1/2" NPTF	70 PSI	3.78	1.18
3/4"	VU-34-F-7	3/4" NPTF	7 PSI	4.28	1.50
3/4"	VU-34-F-70	3/4" NPTF	70 PSI	4.28	1.50
1"	VU-1-F-7	1" NPTF	7 PSI	4.96	1.81
1"	VU-1-F-70	1" NPTF	70 PSI	4.96	1.81
1 1/4"	VU-114-F-7	1 1/4" NPTF	7 PSI	5.12	2.17
1 1/2"	VU-112-F-7	1 1/2" NPTF	7 PSI	5.31	2.56
2"	VU-2-F-7	2" NPTF	7 PSI	5.91	2.95

PERFORMANCE

Pressure Drop vs. Flow Rate



VU Series

Soft-Seat Check Valves



RATED PRESSURE – PSI

BODY SIZE	PSI
1/4"	5145
3/8"	5145
1/2"	5145
3/4"	4410
1"	3675
1 1/4"	3675
1 1/2"	3675
2"	2200

STAINLESS STEEL

FEATURES

- 316 stainless body
- 302 stainless springs
- FKM/FPM poppet seal
- Low pressure drop

APPLICATIONS

- Construction
- Chemical
- Hydraulic tools

SPRING PRESSURES

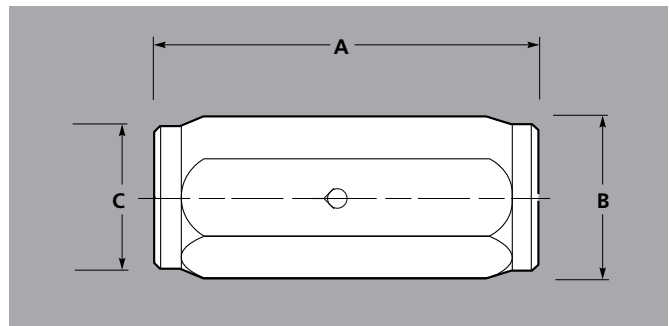
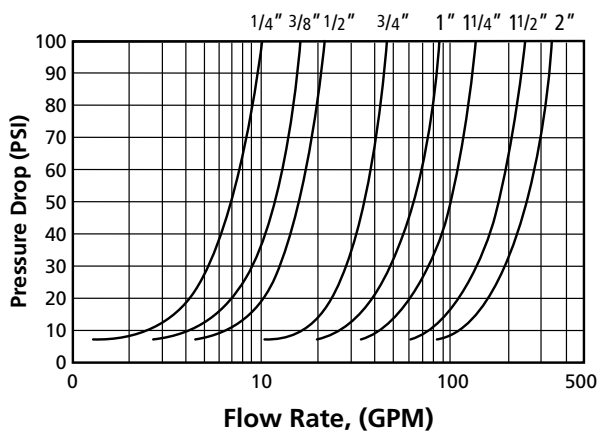
- 7 PSI only

DIMENSIONS (IN.)

SIZE	PART NUMBER	THREAD C	A	B
1/4"	VU-14-F-7-SS	1/4" NPTF	1.97	.75
3/8"	VU-38-F-7-SS	3/8" NPTF	2.36	.94
1/2"	VU-12-F-7-SS	1/2" NPTF	2.56	1.60
3/4"	VU-34-F-7-SS	3/4" NPTF	2.95	1.34
1"	VU-1-F-7-SS	1" NPTF	3.66	1.61
1 1/4"	VU-114-F-7-SS	1 1/4" NPTF	4.33	1.97
1 1/2"	VU-112-F-7-SS	1 1/2" NPTF	4.41	2.17
2"	VU-2-F-7-SS	2" NPTF	4.72	2.95

PERFORMANCE

Pressure Drop vs. Flow Rate



HSP Series

Hard Seat Check Valves



FEATURES

- Zinc clear plated body (RoHs compliant)
- Metal-to-metal seat
- One-piece body

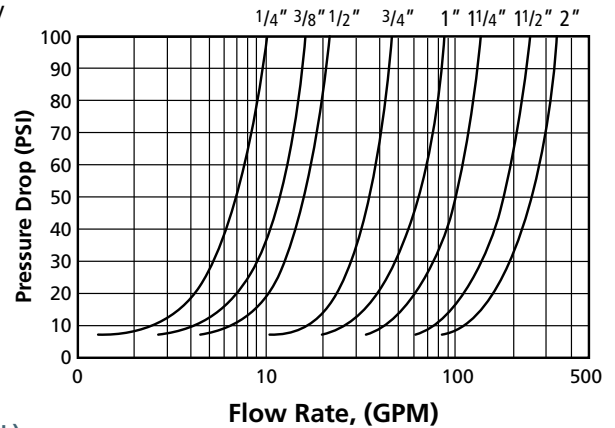
APPLICATIONS

- Hydraulic
- Chemical
- Construction

SPRING PRESSURES

- 5 or 65 PSI

Pressure Drop vs. Flow Rate



STEEL

NPT

DIMENSIONS (IN.)

SIZE	PART NUMBER	THREAD C	SPRING	B	C
1/4"	HSP-1000-2-5	1/4" NPTF	5 PSI	2.44	.87
1/4"	HSP-1000-2-65	1/4" NPTF	65 PSI	2.44	.87
3/8"	HSP-1000-3-5	3/8" NPTF	5 PSI	2.87	.95
3/8"	HSP-1000-3-65	3/8" NPTF	65 PSI	2.87	.95
1/2"	HSP-1000-4-5	1/2" NPTF	5 PSI	3.50	1.14
1/2"	HSP-1000-4-65	1/2" NPTF	65 PSI	3.50	1.14
3/4"	HSP-1000-6-5	3/4" NPTF	5 PSI	4.25	1.50
3/4"	HSP-1000-6-65	3/4" NPTF	65 PSI	4.25	1.50
1"	HSP-1000-8-5	1" NPTF	5 PSI	5.12	1.69
1"	HSP-1000-8-65	1" NPTF	65 PSI	5.12	1.69
1 1/4"	HSP-1000-10-5	1 1/4" NPTF	5 PSI	5.56	2.40
1 1/4"	HSP-1000-10-65	1 1/4" NPTF	65 PSI	5.56	2.40
1 1/2"	HSP-1000-12-5	1 1/2" NPTF	5 PSI	5.56	2.56
1 1/2"	HSP-1000-12-65	1 1/2" NPTF	65 PSI	5.56	2.56
2"	HSP-1000-16-5	2" NPTF	5 PSI	7.91	3.15
2"	HSP-1000-16-65	2" NPTF	65 PSI	7.91	3.15

RATED FLOW

BODY SIZE	GPM
1/4"	6
3/8"	9.5
1/2"	18
3/4"	30
1"	35
1 1/4"	60
1 1/2"	90
2"	145

RATED PRESSURE - PSI

BODY SIZE	PSI
1/4"	6000
3/8"	6000
1/2"	5000
3/4"	5000
1"	5000
1 1/4"	3000
1 1/2"	3000
2"	3000

ORB

DIMENSIONS (IN.)

SIZE	PART NUMBER	THREAD C	SPRING	B	C
1/4"	HSP-1001-4-5	7/16" -20 ORB	5 PSI	2.44	.87
1/4"	HSP-1001-4-65	7/16" -20 ORB	65 PSI	2.44	.87
3/8"	HSP-1001-6-5	9/16" -18 ORB	5 PSI	2.87	.95
3/8"	HSP-1001-6-65	9/16" -18 ORB	65 PSI	2.87	.95
1/2"	HSP-1001-8-5	3/4" -16 ORB	5 PSI	3.50	1.14
1/2"	HSP-1001-8-65	3/4" -16 ORB	65 PSI	3.50	1.14
3/4"	HSP-1001-12-5	1 1/16" -12 ORB	5 PSI	4.25	1.50
3/4"	HSP-1001-12-65	1 1/16" -12 ORB	65 PSI	4.25	1.50
1"	HSP-1001-16-5	1 5/16" -12 ORB	5 PSI	5.12	1.69
1"	HSP-1001-16-65	1 5/16" -12 ORB	65 PSI	5.12	1.69
1 1/4"	HSP-1001-20-5	1 5/8" -12 ORB	5 PSI	5.56	2.40
1 1/4"	HSP-1001-20-65	1 5/8" -12 ORB	65 PSI	5.56	2.40
1 1/2"	HSP-1001-24-5	1 7/8" -12 ORB	5 PSI	5.56	2.56
1 1/2"	HSP-1001-24-65	1 7/8" -12 ORB	65 PSI	5.56	2.56

