

PPD Series

Diagnostic Couplings

FEATURES

- Non-spill design
- Push to connect sleeve
- Compliant with ISO-15171-I

APPLICATIONS

- Connect/disconnect pressure gauges to hydraulic systems, eliminating the need for permanent gauges

INTERCHANGEABILITY

- Parker
- Aeroquip
- Faster
- Dixon

MATERIALS

- Steel

SIZES

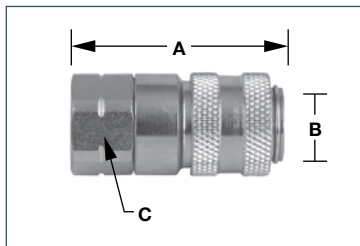
- 1/8" body size

TEMP. RATING

- -22°F to 212°F

RATED PRESSURE

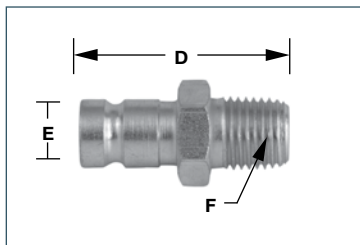
- 6000 PSI



COUPLER

BODY SIZE	PART NUMBER		DIMENSIONS (IN.)		
	BRASS	THREAD SIZE	A	B	C
1/8"	PPD02-N18F	1/8" NPTF	2.13	.67	.83
1/8"	PPD02-N14F	1/4" NPTF	2.13	.67	.83
1/8"	PPD02-N14F-02	1/4" NPTF	2.28	.67	.83

NOTE: -02 at end of part number denotes male thread.



PLUG

BODY SIZE	PART NUMBER		DIMENSIONS (IN.)		
	STEEL	THREAD SIZE	D	E	F
1/8"	PPD02-N18M	1/8" NPTF	1.88	.49	.67
1/8"	PPD02-N18M-02	1/8" NPTF	1.98	.49	.67
1/8"	PPD02-N14M	1/4" NPTF	1.88	.49	.67
1/8"	PPD02-N14M-02	1/4" NPTF	1.43	.49	.67
1/8"	PPD02-S716M-02	7/16" -20 ORB	1.93	.49	.67
1/8"	PPD02-S916M-02	9/16" -18 ORB	1.48	.49	.67

NOTE: -02 at end of part number denotes male thread.

H900 Series

Diagnostic Couplings/Micro Hoses

FEATURES

- Leak-proof connection
- Connect/disconnect under pressure up to 5800 PSI
- Self-locking metal cap
- Able to test systems at working pressure

APPLICATIONS

- Monitoring and control of pressure
- Venting
- Fluid sampling
- Remote testing

INTERCHANGEABILITY

- Stauff
- Parker

MATERIALS

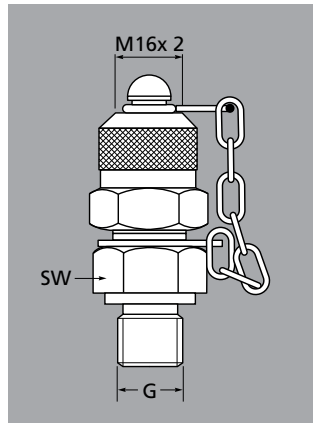
- Steel
- Stainless Steel

TEMP. RATING

- -22°F to 212°F

RATED PRESSURE

- 9000 PSI

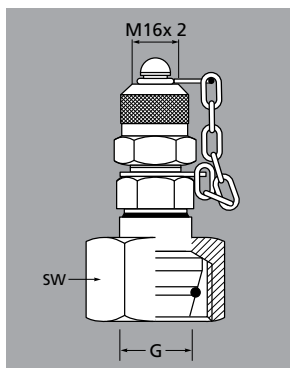


TEST CONNECTORS

PART NO.	THREAD (G)	HEX (SW)	MATERIAL
H900-01	M8 x 1	.67	STEEL
H900-10	5/16" -24 ORB	.67	STEEL
H900-11	7/16" -20 ORB	.67	STEEL
H900-11-SS	7/16" -20 ORB	.67	STAINLESS
H900-12	9/16" -18 ORB	.75	STEEL
H900-12-SS	9/16" -18 ORB	.75	STAINLESS
H900-20	1/8" NPT-Male	.67	STEEL
H900-21	1/4" NPT-Male	.75	STEEL
H900-21-SS	1/4" NPT-Male	.75	STAINLESS
H900-22	3/8" NPT-Male	.75	STEEL
H900-23	1/2" NPT-Male	.95	STEEL
H900-24	1/4" NPT-Male	.95	STEEL
H900-25	M10 x 1	.75	STEEL
H900-26	M12 x 1.5	.75	STEEL
H900-27	M14 x 1.5	.95	STEEL
H900-28	M16 x 1.5	.87	STEEL
H900-30	1/8" BSP-Male	.67	STEEL
H900-31	1/4" BSP-Male	.75	STEEL
H900-31-SS	1/4" BSP-Male	.75	STAINLESS
H900-32	3/8" BSP-Male	.87	STEEL
H900-33	1/2" BSP-Male	1.07	STEEL
H900-45	7/16" -20 ORB-Male	.75	STEEL
H900-49	7/16" -20 ORBF	.75	STEEL
H900-89	M16 x 2 Hose Union	.67	STEEL

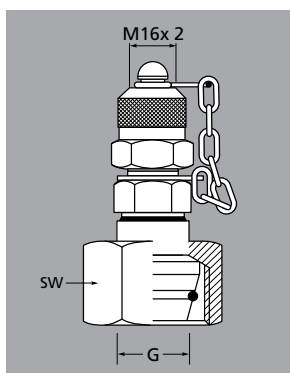
H900 Series

Diagnostic Couplings



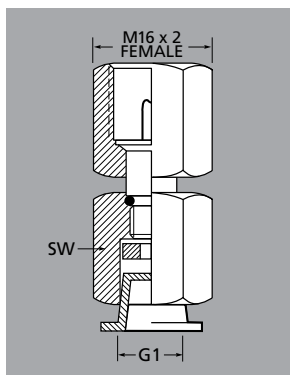
TEST CONNECTORS FOR COMPRESSION RING FITTINGS – LIGHT SERIES STEEL

PART NO.	CONNECTION (G)	TUBE SIZE	HEX (SW)
H900-51	M12 x 1.5	8	.66
H900-52	M14 x 1.5	10	.74
H900-53	M18 x 1.5	12	.87
H900-54	M22 x 1.5	15	1.06
H900-55	M26 x 1.5	18	1.26
H900-57	M36 x 2	28	1.61
H900-59	M52 x 2	42	2.36



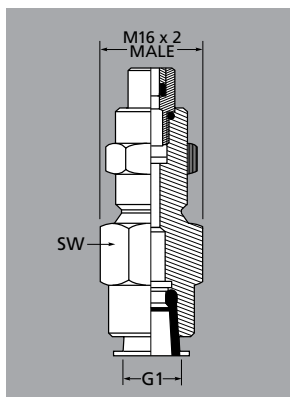
TEST CONNECTORS FOR COMPRESSION RING FITTINGS – HEAVY SERIES STEEL

PART NO.	CONNECTION (G)	TUBE SIZE	HEX (SW)
H900-60	M14 x 1.5	6	.66
H900-61	M16 x 1.5	8	.74
H900-62	M18 x 1.5	10	.87
H900-63	M20 x 1.5	12	.94
H900-65	M24 x 1.5	16	1.18



GAUGE ADAPTER M16 x 2 FEMALE

PART NO.	THREAD (G1)	HEX (SW)
H900-84	1/4" BSPP	.74
H900-85	1/2" BSPP	1.06
H900-86	1/4" NPTF	.74
H900-87	1/2" NPTF	1.06
H900-91	7/16" -20 ORB	.87

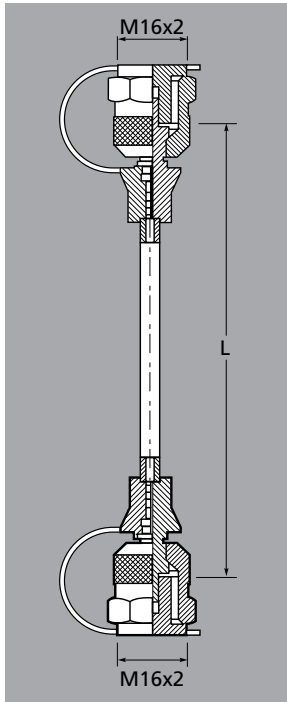


GAUGE ADAPTER M16 x 2 MALE

PART NO.	THREAD (G1)	HEX (SW)
H900-80	1/4" BSPP	.74
H900-81	1/2" BSPP	1.06
H900-82	1/4" NPTF	.74
H900-83	1/2" NPTF	1.06

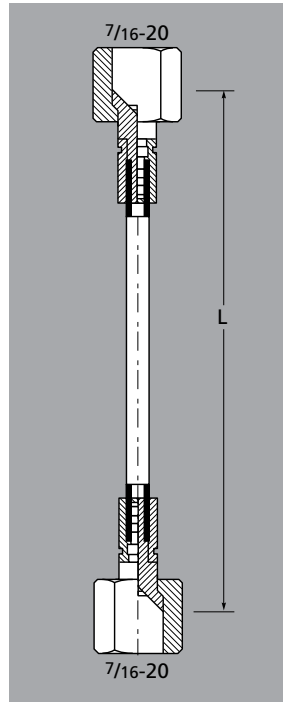
H900 Series

Diagnostic Micro Hoses



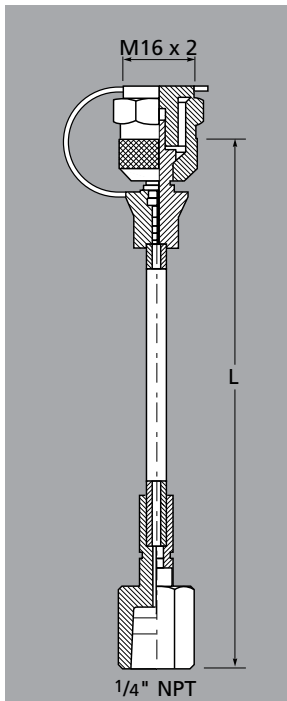
**MICRO HOSE M16 x 2
FEMALE x M16 x 2 FEMALE**

PART NO.	LENGTH (IN)
H900-92-08	8
H900-92-12	12
H900-92-16	16
H900-92-24	24
H900-92-30	30
H900-92-32	32
H900-92-40	40
H900-92-60	60
H900-92-78	78
H900-92-98	98
H900-92-130	130
H900-92-158	158
H900-92-197	197
H900-92-236	236



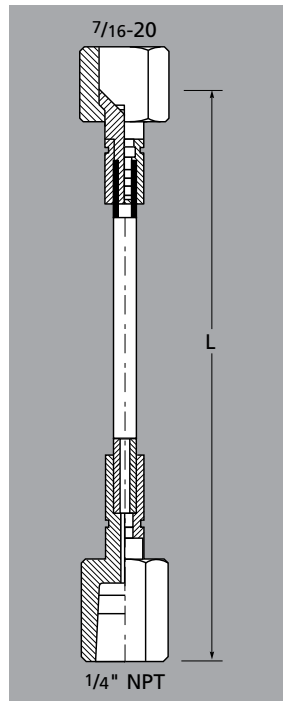
**MICRO HOSE 7/16-20
FEMALE x 7/16-20 FEMALE**

PART NO.	LENGTH (IN)
H900-994-08	8
H900-994-10	10
H900-994-12	12
H900-994-16	16
H900-994-18	18
H900-994-20	20
H900-994-24	24
H900-994-30	30
H900-994-32	32
H900-994-40	40
H900-994-60	60
H900-994-72	72
H900-994-78	78
H900-994-98	98
H900-994-125	125
H900-994-157	157



**MICRO HOSE M16 x 2
FEMALE x 1/4 NPT FEMALE**

PART NO.	LENGTH (IN)
H900-993-08	8
H900-993-10	10
H900-993-12	12
H900-993-16	16
H900-993-20	20
H900-993-24	24
H900-993-30	30
H900-993-32	32
H900-993-40	40
H900-993-60	60
H900-993-78	78
H900-993-98	98
H900-993-125	125
H900-993-157	157



**MICRO HOSE 7/16-20
FEMALE x 1/4 NPT FEMALE**

PART NO.	LENGTH (IN)
H900-995-08	8
H900-995-10	10
H900-995-12	12
H900-995-16	16
H900-995-18	18
H900-995-20	20
H900-995-24	24
H900-995-30	30
H900-995-32	32
H900-995-40	40
H900-995-60	60
H900-995-78	78
H900-995-98	98
H900-995-125	125
H900-995-157	157

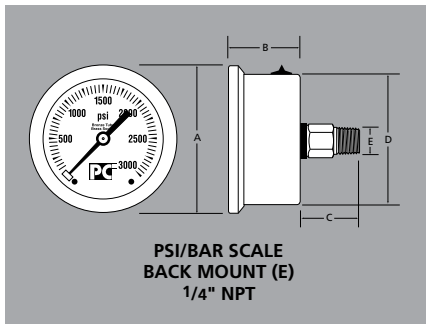
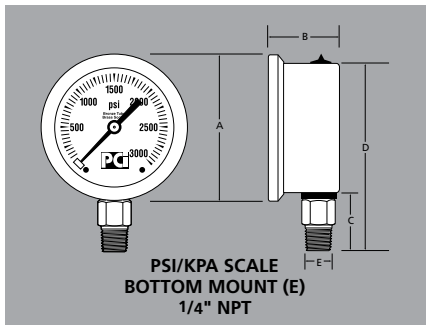
NOTE: Custom hose lengths available. Contact PCI.

PCLG Series

Liquid Filled 2 1/2" Stainless Case Pressure Gauges



PCLG SERIES



PART NUMBER	PRESSURE RANGE	A	B	C	D
PCLG - 30 - 0V	-30HG - 0 PSI	2.69	1.20	.84	3.30
PCLG - 3030 - C	-30HG - 30 PSI	2.69	1.20	.84	3.30
PCLG - 30P	0 - 30 PSI	2.69	1.20	.84	3.30
PCLG - 60P	0 - 60 PSI	2.69	1.20	.84	3.30
PCLG - 100P	0 - 100 PSI	2.69	1.20	.84	3.30
PCLG - 160P	0 - 160 PSI	2.69	1.20	.84	3.30
PCLG - 200P	0 - 200 PSI	2.69	1.20	.84	3.30
PCLG - 300P	0 - 300 PSI	2.69	1.20	.84	3.30
PCLG - 600P	0 - 600 PSI	2.69	1.20	.84	3.30
PCLG - 1000P	0 - 1000 PSI	2.69	1.20	.84	3.30
PCLG - 2000P	0 - 2000 PSI	2.69	1.20	.84	3.30
PCLG - 3000P	0 - 3000 PSI	2.69	1.20	.84	3.30
PCLG - 5000P	0 - 5000 PSI	2.69	1.20	.84	3.30
PCLG - 10,000P	0 - 10,000 PSI	2.69	1.20	.84	3.30
PCLG - 15,000P	0 - 15,000 PSI	2.69	1.20	.84	3.30

PART NUMBER	PRESSURE RANGE	A	B	C	D
PCLG - 30 - 0V - B	-30HG - 0 PSI	2.68	1.18	1.14	2.44
PCLG - 3030 - C - B	-30HG - 30 PSI	2.68	1.18	1.14	2.44
PCLG - 30P - B	0 - 30 PSI	2.68	1.18	1.14	2.44
PCLG - 60P - B	0 - 60 PSI	2.68	1.18	1.14	2.44
PCLG - 100P - B	0 - 100 PSI	2.68	1.18	1.14	2.44
PCLG - 160P - B	0 - 160 PSI	2.68	1.18	1.14	2.44
PCLG - 200P - B	0 - 200 PSI	2.68	1.18	1.14	2.44
PCLG - 300P - B	0 - 300 PSI	2.68	1.18	1.14	2.44
PCLG - 600P - B	0 - 600 PSI	2.68	1.18	1.14	2.44
PCLG - 1000P - B	0 - 1000 PSI	2.68	1.18	1.14	2.44
PCLG - 2000P - B	0 - 2000 PSI	2.68	1.18	1.14	2.44
PCLG - 3000P - B	0 - 3000 PSI	2.68	1.18	1.14	2.44
PCLG - 5000P - B	0 - 5000 PSI	2.68	1.18	1.14	2.44
PCLG - 10,000P - B	0 - 10,000 PSI	2.68	1.18	1.14	2.44

NOTE: Center back gauges include the panel clamp

ACCESSORIES

PART NUMBER	DESCRIPTION
PC - 02	PANEL FLANGE

CONSTRUCTION

- Stainless steel case
- Bronze bourdon tube
- Glycerine filled

ACCURACY

- 1.5% Full scale

TEMPERATURE

- -30°F – 160°F