

Spring Hinges



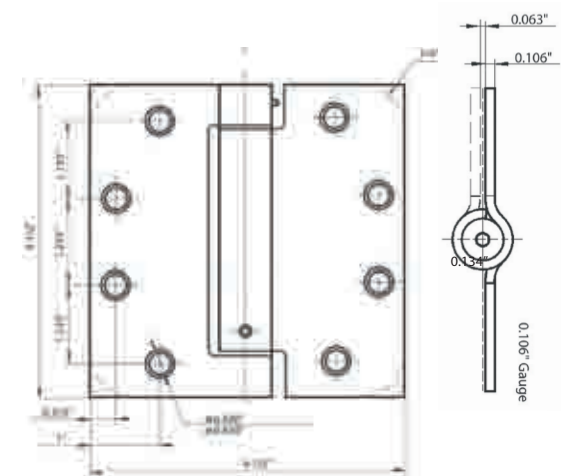
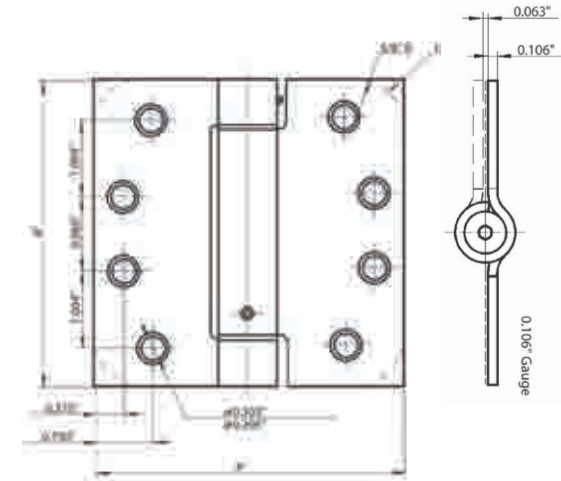
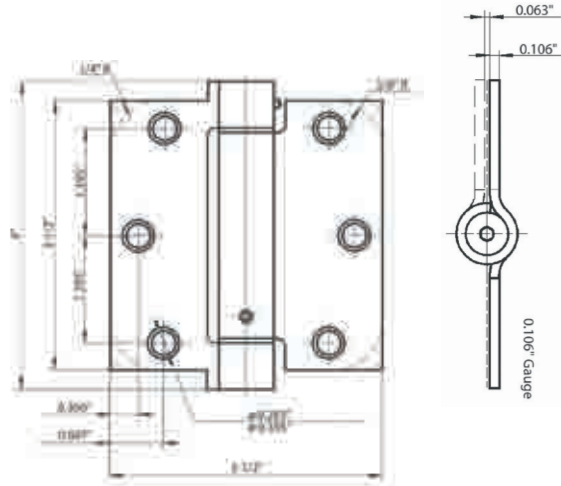
ANSI GRADE 1
ANSI A156.17
 Exceeds 1,000,000 cycles



LISTED

for Fire Door applications
 UL10C Positive Pressure
 Rated. Conforms to UBC
 7-2 (1997). (Uniform
 Building Code Standard)

SP4510
US10B



Standard Spring Hinge

- Full Mortise, Single Acting, template mounting hole pattern (ANSI A156.7)
- Box Pack
 Furnished with screws and Allen wrench

CODE	SIZE	RADIUS	MATERIAL	GAUGE
SP32	3-1/2" x 3-1/2"	1/4"	Steel	0.106" (2.7mm)
SP35	3-1/2" x 3-1/2"	5/8"	Steel	0.106" (2.7mm)
SP41	4" x 4"	Square	Steel	0.106" (2.7mm)
SP42	4" x 4"	1/4"	Steel	0.106" (2.7mm)
SP45	4" x 4"	5/8"	Steel	0.106" (2.7mm)
SP55	4-1/2" x 4-1/2"	Square	Steel	0.134" (3.4mm)

Stock Finish: USP, US3, US4, US10B, US15, US15A, US26, US26D

* Finish may not be available for all items, please refer to price book for stock finish availability.

- 3-1/2" x 3-1/2"#10 x 1/2" Machine Screw (10-24NC)
-#10 x 3/4" Wood Screw
- 4" x 4"#10 x 1/2" Machine Screw (12-24NC)
-#10 x 1" Wood Screw
- 4-1/2" x 4-1/2"#12 x 1/2" Machine Screw (12-24NC)
-#12 x 1-1/4" Wood Screw

* NFPA requires a minimum of two (2) spring hinges on labeled doors.
 ** For fire doors refer to NFPA-80.