



Philadelphia Hardware Group, Inc.

6590 Top Gun Street
San Diego, CA 92121
www.philihardware.com
Tel
858.642.0450
858.545.2309
Fax
858.642.0454

Residential Hinge

**MASONITE
CASTLEGATE**

one leaf 5/8" radius-one leaf square

SPECIFICATIONS

- 4" Full mortise hinge.
- 5 knuckles, reversible design, pin removable.
- Masonite Castlegate mounting hole pattern, handing.
- Steel base metal, gauge: 0.098" (2.5mm).
- Non-Removable pin (NRP) available

CODE	SIZE	RADIUS	SCREW
RH40	4" x 4"	5/8" Radius x Square	#10 x 1/2" Machine Screw #10 x 3/4" wood screw
RH41	4" x 4"	5/8" Radius x Square (with self aligning tabs)	#10 x 1/2" Machine Screw #10 x 3/4" wood screw
SB40	4" x 4"	5/8" Radius x Square (with safety Buckle)	#10 x 1/2" Machine Screw #10 x 3/4" wood screw

* Please specify Right Handed(RH) or Left Handed(LH) when ordering

FINISH

- Stock Finish – RH40/RH41: USP, US2D, US3, US3/4, US4, US10B, US15, US15A, US26D
SB40: US2D, US10B, US15, US26D
- Other finishes may available with minimum order quantity and longer delivery lead-time.

PACKING

- Bulk assembled
- Box back – 2pcs/box with screws. (Prefix **RHB** instead of RH)

SCREWS

#10 X 1/2" MACHINE SCREW (10-24NC) STANDARD
#10 X 3/4" WOOD SCREW



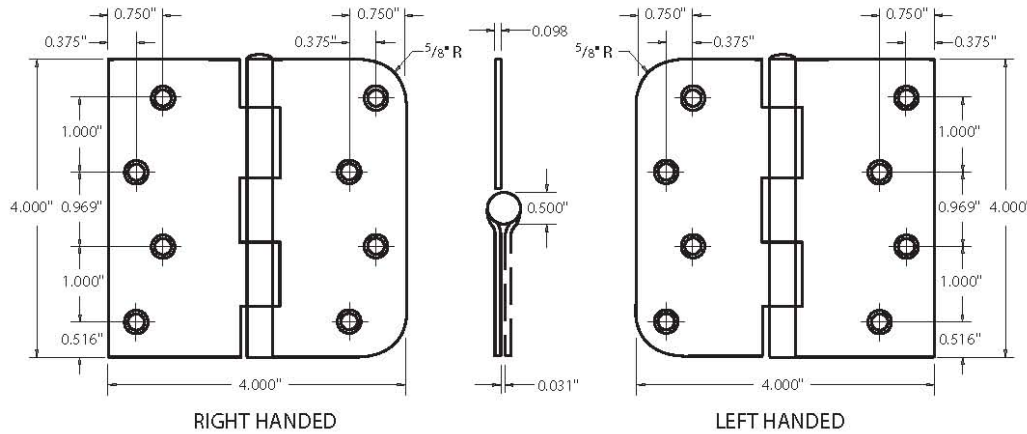
6590 Top Gun Street
 San Diego, CA 92121
www.philihardware.com

Philadelphia Hardware Group, Inc.

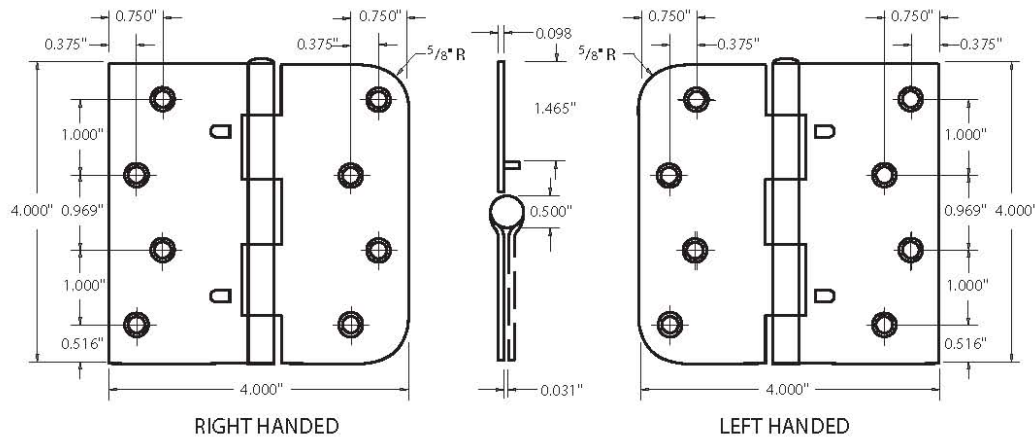
Tel
 858.642.0450
 858.545.2309
 Fax
 858.642.0454

DIMENSIONS

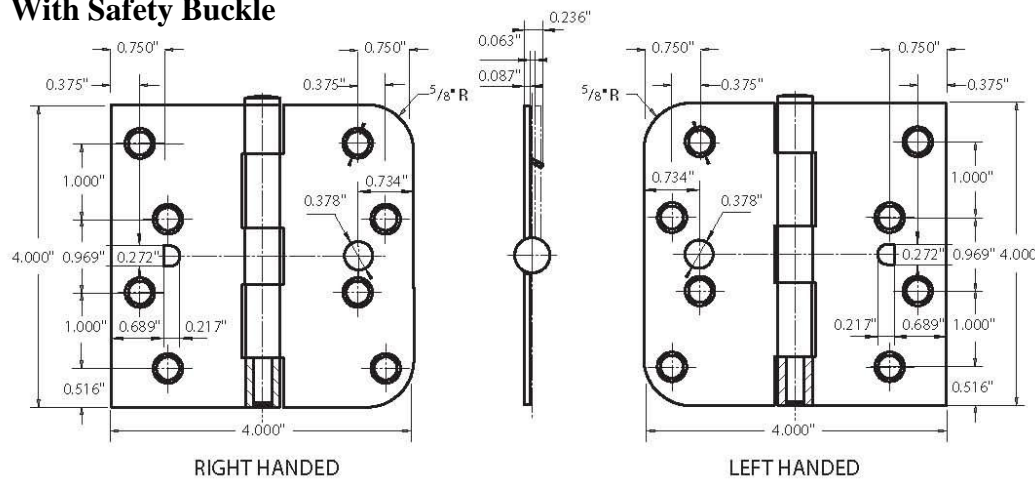
Not to Scale



With Self-Aligning Tabs



With Safety Buckle



SAN DIEGO

CHICAGO

SEATTLE