



**Philadelphia Hardware Group Inc.**

6590 Top Gun Street  
San Diego, CA 92121  
[www.philihardware.com](http://www.philihardware.com)  
Tel

858.642.0450  
858.545.2309  
Fax  
858.642.0454

## 600PT Series Pull Plate Trim

### FEATURES

- Design to use with Exit Device.
- Standard for 1-3/4" door thick, optional for up to 2-1/4" doors.
- Overall size: 2-5/8" x 3", 1-3/4" projection

### SPECIFICATIONS

|                 |  |
|-----------------|--|
| Door Prep.      | 1-1/4" Cross Bore for using with Rim Cylinder  |
| Exposed Trim    | Stainless Steel construction.  |
| Rim Cylinder    | Solid brass SC4 6-pins standard.<br>5-pins SC1 keyway available<br>5-pins KW1 keyway available<br>Small format BEST SFIC 6-pins and 7-pins. (Optional)<br>Large format Schlage LFIC 6-pins. (Optional) |
| Finishes (BHMA) | US32D (630), US10B (613)   |
| Function        | 611PT (ANSI 03) Classroom<br>615PT (ANSI 02) Dummy<br>630PT Blank Plate to cover 161 cutout  |



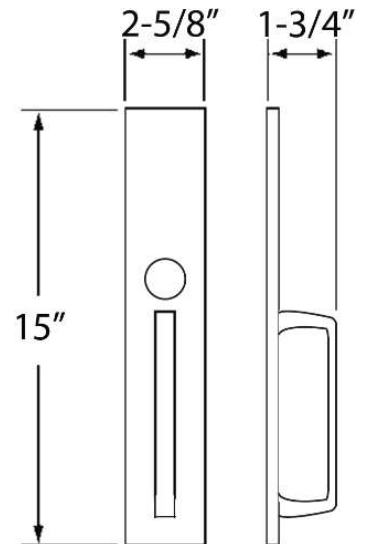
Standard Rim Cylinder  
for KW1/SC1/SC4



BEST SFIC Rim Housing  
for 6 & 7 pins



Schlage LFIC  
Rim Housing



SAN DIEGO

•

CHICAGO

•

ATLANTA

•

DALLAS