



**Philadelphia Hardware Group, Inc.**

6590 Top Gun Street  
San Diego, CA 92121  
[www.philihardware.com](http://www.philihardware.com)  
Tel  
858.642.0450  
858.545.2309  
Fax  
858.642.0454

# Residential Hinge

## Plain Bearing

**1/4" radius corner or 5/8" radius corner**

### SPECIFICATIONS

- 3-1/2" and 4" Full mortise hinge.
- 6 knuckles, reversible design, pin removable.
- Steel base metal, gauge: 0.087" (2.2mm).
- Non-Removable pin (NRP) available

CODE	SIZE	RADIUS	SCREW
RH32	3-1/2" x 3-1/2"	1/4"	#9 x 3/4"
RH35	3-1/2" x 3-1/2"	5/8"	#9 x 3/4"
RH42	4" x 4"	1/4"	#9 x 1"
RH45	4" x 4"	5/8"	#9 x 1"



**RH3515**  
**3-1/2" x 3-1/2" x 5/8"R**  
**US15**

### FINISH

- Stock Finish – USP, US2D, US3, US3/4, US4, US5, US10B, US15, US15A, US19, US26, US26D
- Special order – US15S (Satin Nickel non-brush), US26S (Satin Chrome non-brush)

### PACKING

- Bulk assembled
- Box back – 2pcs/box with screws. (Prefix **RHB** instead of RH)

### SCREWS

#9 x 3/4" and #9 x 1" wood screw available



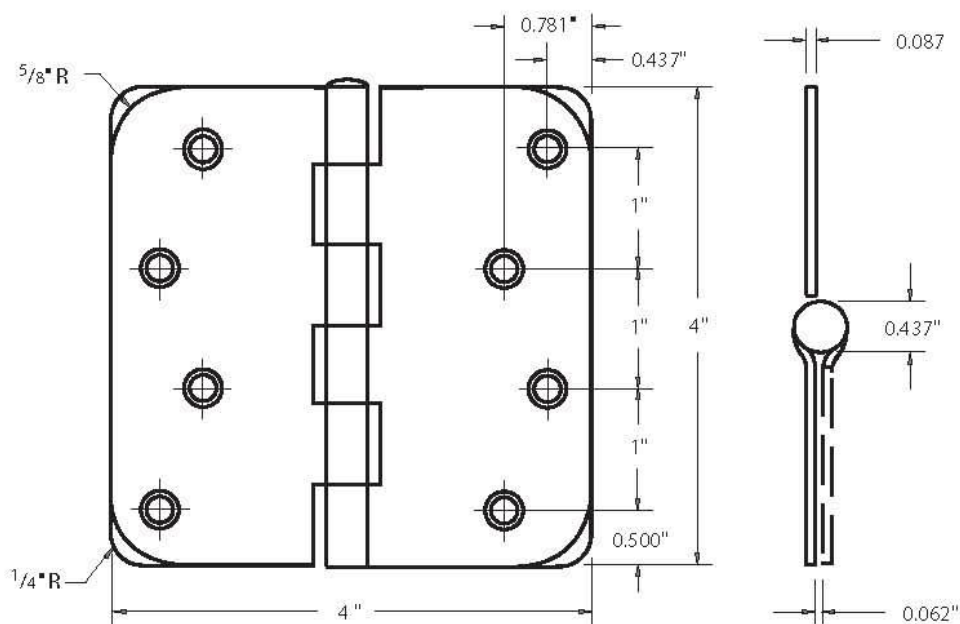
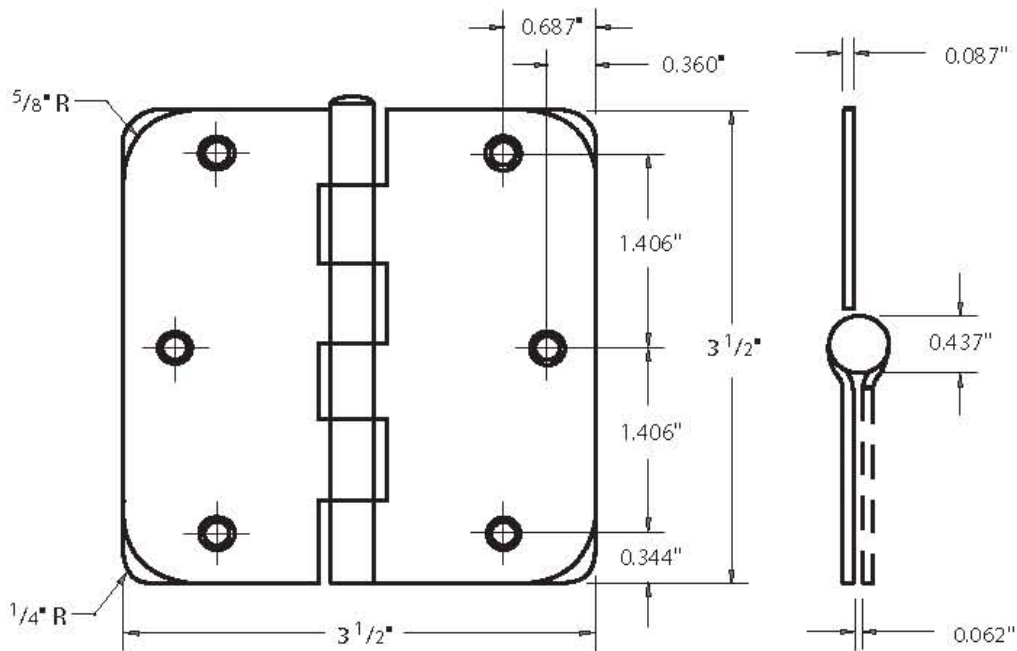
6590 Top Gun Street  
San Diego, CA 92121  
[www.phihardware.com](http://www.phihardware.com)

**Philadelphia Hardware Group, Inc.**

Tel  
858.642.0450  
858.545.2309  
Fax  
858.642.0454

## DIMENSIONS

Not to Scale



**SAN DIEGO**

•

**CHICAGO**

•

**SEATTLE**