

EA Series CYLINDRICAL KNOBSET

ANSI GRADE 2

LIFETIME Warranty



ANSI GRADE 2
ANSI/BHMA A156.2-2011
Series 4000, Grade 2
Exceeds 400,000 Cycles



3 Hours Fire Rating
UL10C/UBC 7-2(1997)
Positive Pressure Rated

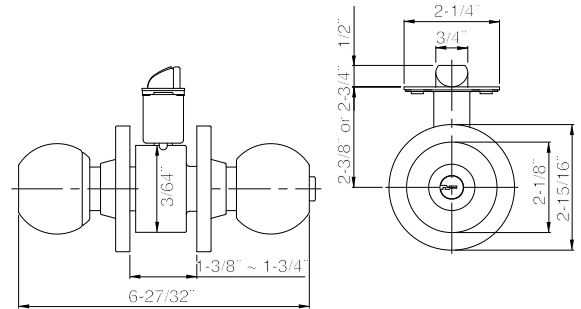
LISTED

Features

- SC4 6-pin Standard
- Concealed Mounting Screws
- 1 Piece Bulging High Security Knob
- Fast and Easy Installation
- Panic Proof (inside always free)



100EA-BA
Bala (BA) Knob



100EI-BA
Bala (BA) Knob
with IC Core

Specifications

Door Fitting	1-3/8" ~ 1-3/4" door thick. Special order for 1-3/4"~2".
Exposed Trim	Wrought brass or stainless steel.
Lock Chassis	Heavy gauge dichromated steel.
Cylinder	Solid brass SC4 6-pins standard. KW1 5-pins optional.
Latch	1/2" throw stainless steel latch bolt. Square corner faceplate standard, round corner available. 2-3/4" backset: 1" x 2-1/4" faceplate mortise latch with faceplate adapter. 2-3/8" backset: 1" x 2-1/4" faceplate mortise latch. Floating latch design fits both flat or beveled doors 1/8" in 2".
Strike	T-Strike standard (9106). ASA Strike optional (9109). Backset: 2-3/4" standard, optional for 2-3/8", 3-3/4" & 5".
Screws	Combination screws for both metal and wood doors.
Keys	2 brass keys per set. Key as requested (KA, KD, MCK, MK, GMK).
IC Core	Model: 100EI-BA. SFIC compatible with BEST profile 6-pins and 7-pins.



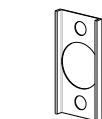
Latch & Parts



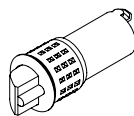
E9060T
Dead Latch
for 2-3/8" backset



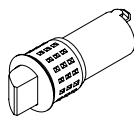
E9063T (kick-off)
Spring Latch
for 2-3/8" backset



1180
Faceplate Adapter
Use on 1" width for
1-1/8" width requirement



E9070T
Dead Latch
for 2-3/4" backset



E9073T (kick-off)
Spring Latch
for 2-3/4" backset



E9060C

Drive-in Dead Latch
for 2-3/8" backset

E9070C

Drive-in Dead Latch
for 2-3/4" backset

E9063C (kick-off)

Drive-in Spring Latch
for 2-3/8" backset

E9073C (kick-off)

Drive-in Spring Latch
for 2-3/4" backset

2214

5" backset
extension tube
(use with 2-3/4" backset latch)

2138

3-3/4" backset
extension tube
(use with 2-3/8" backset latch)

Strike



9109 ASA Strike
1-1/4" x 4-7/8",
5/8" lip



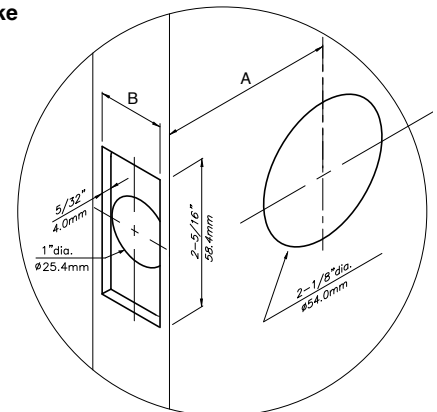
9106 T-Strike
1-1/8" x 2-3/4"



ES-50
Electric Strike



Door Preparation



Backset	2-3/4"	2-3/8"
A	2-3/4"	2-3/8"
B	1-3/16"	1-1/16"

ADVANTAGE[®]
by PHILADELPHIA HARDWARE GROUP