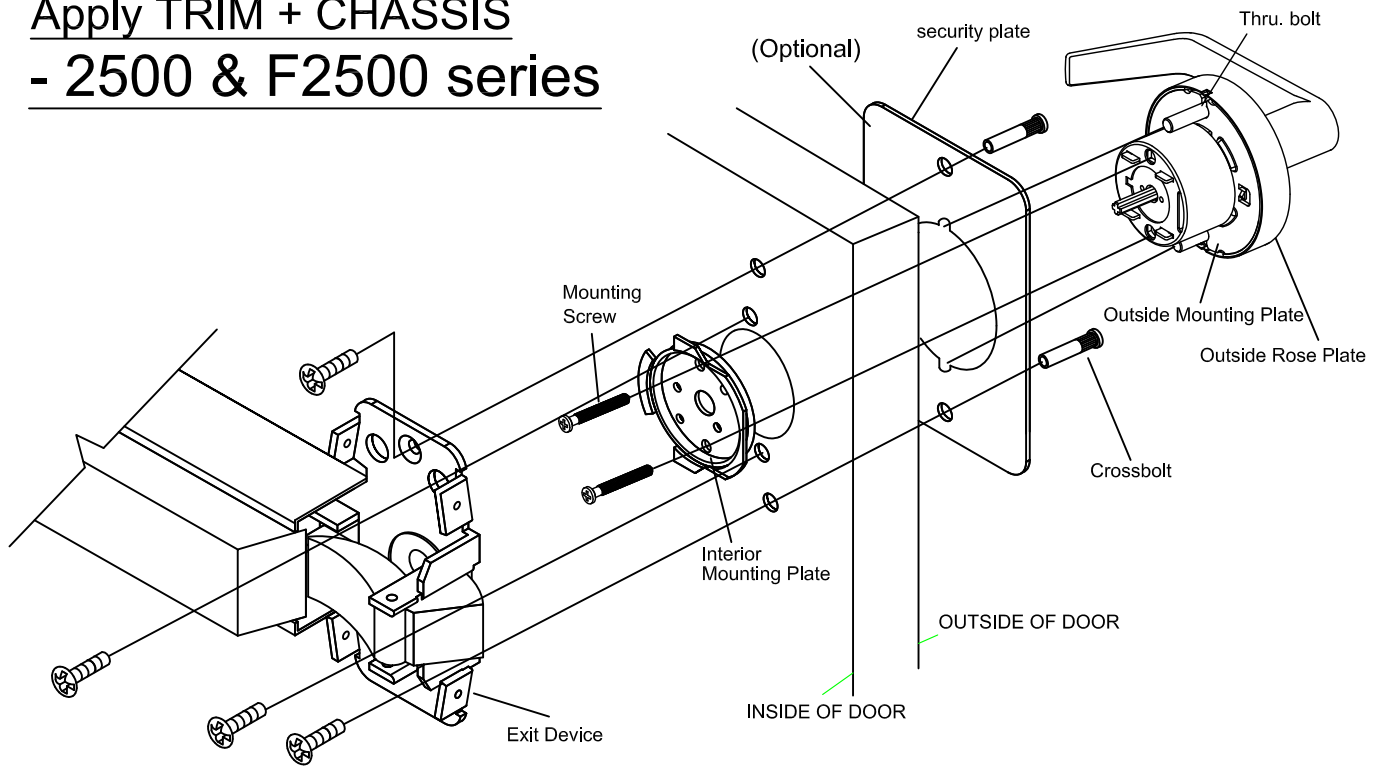
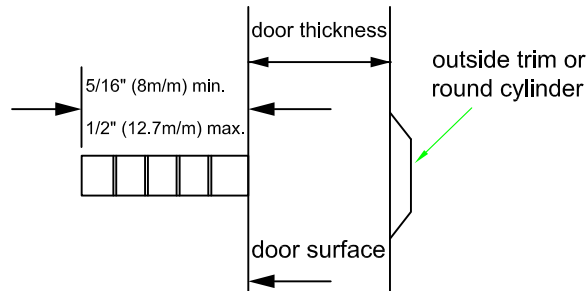


Apply TRIM + CHASSIS - 2500 & F2500 series

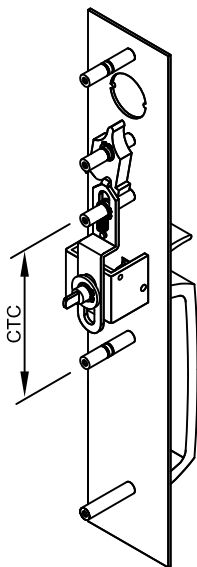


TAILPIECE LENGTH

Keep tailpiece 5/16"~1/2" (8~12.7m/m) projected.

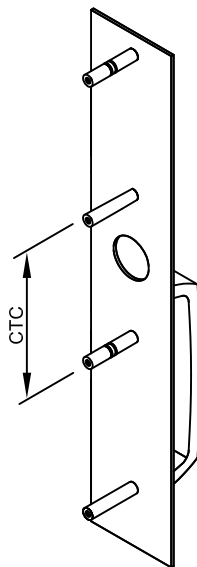


Thumbpiece trim



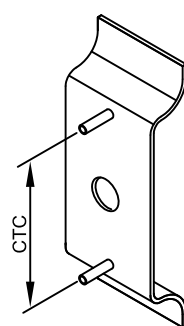
CTC = 4-1/4" (108mm)

Pull trim



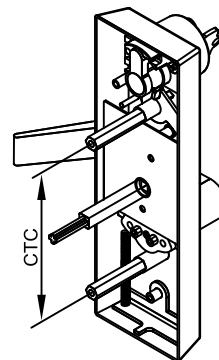
CTC = 4-1/4" (108mm)

Outside Plate trim



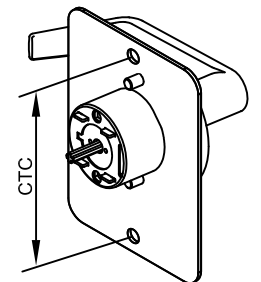
CTC = 4-1/4" (108mm)

ESC lever trim



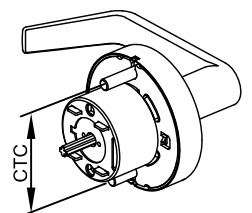
CTC = 4-1/4" (108mm)

Trim with security plate



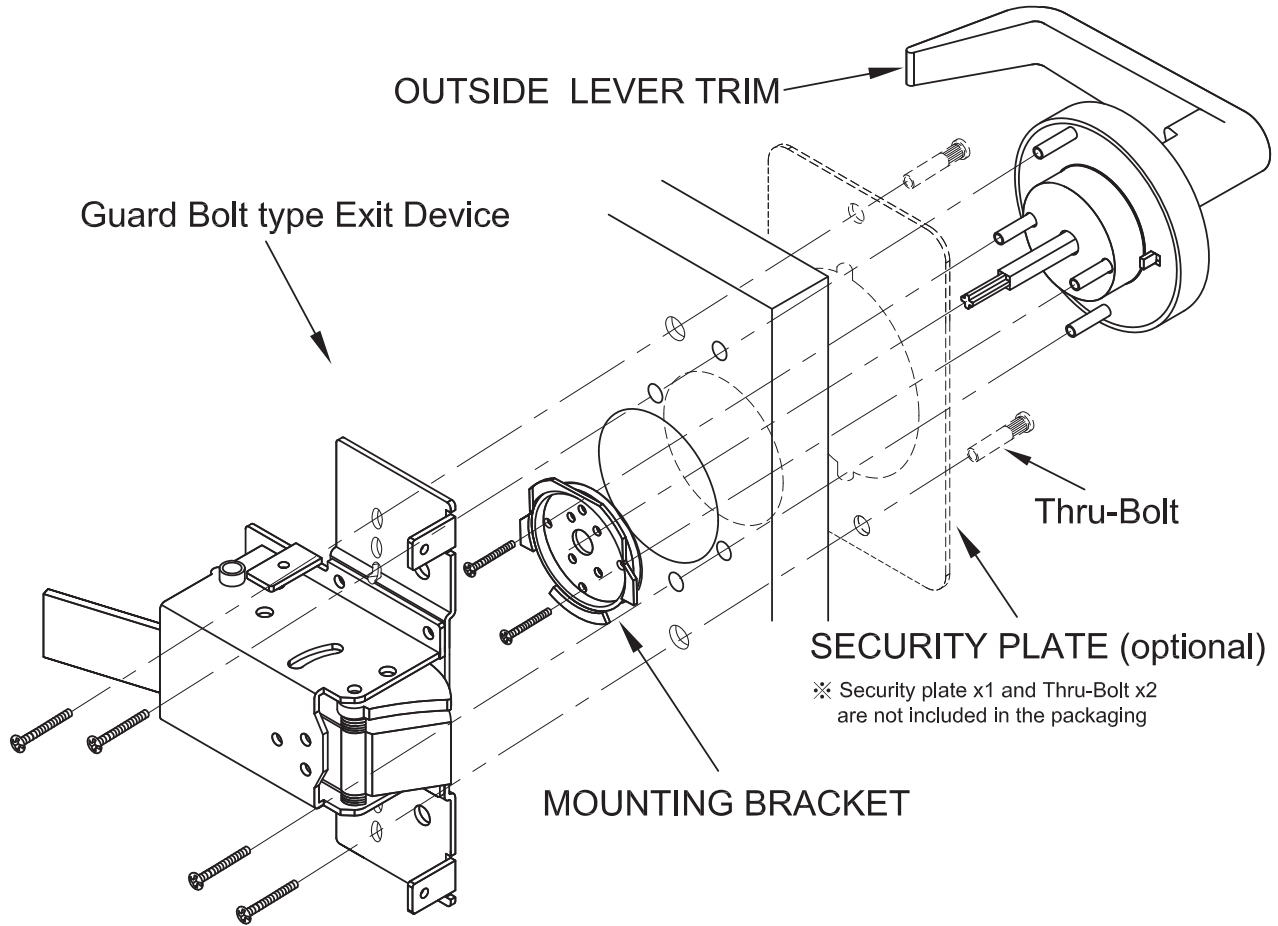
CTC = 4-1/4" (108mm)

Trim w/o security plate

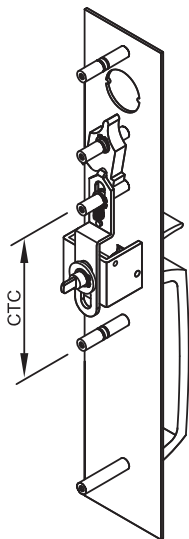


CTC = 2-3/4" (70mm)

Apply TRIM + CHASSIS - 7000 & F7000 series

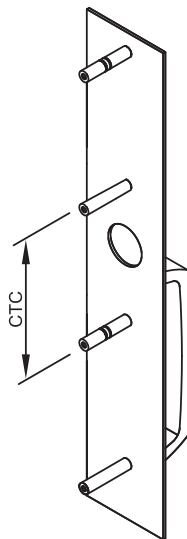


Thumbpiece trim



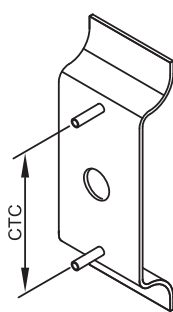
CTC = 4-1/4" (108mm)

Pull trim



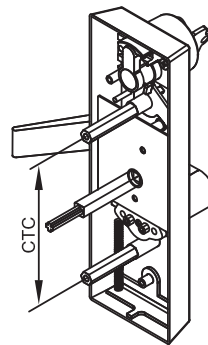
CTC = 4-1/4" (108mm)

Outside Plate trim



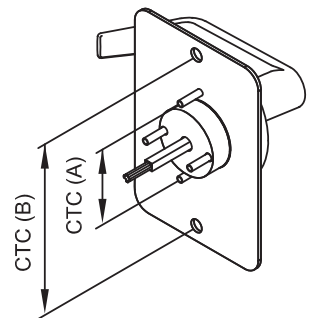
CTC = 4-1/4" (108mm)

ESC lever trim



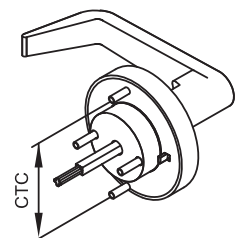
CTC = 4-1/4" (108mm)

Trim with security plate



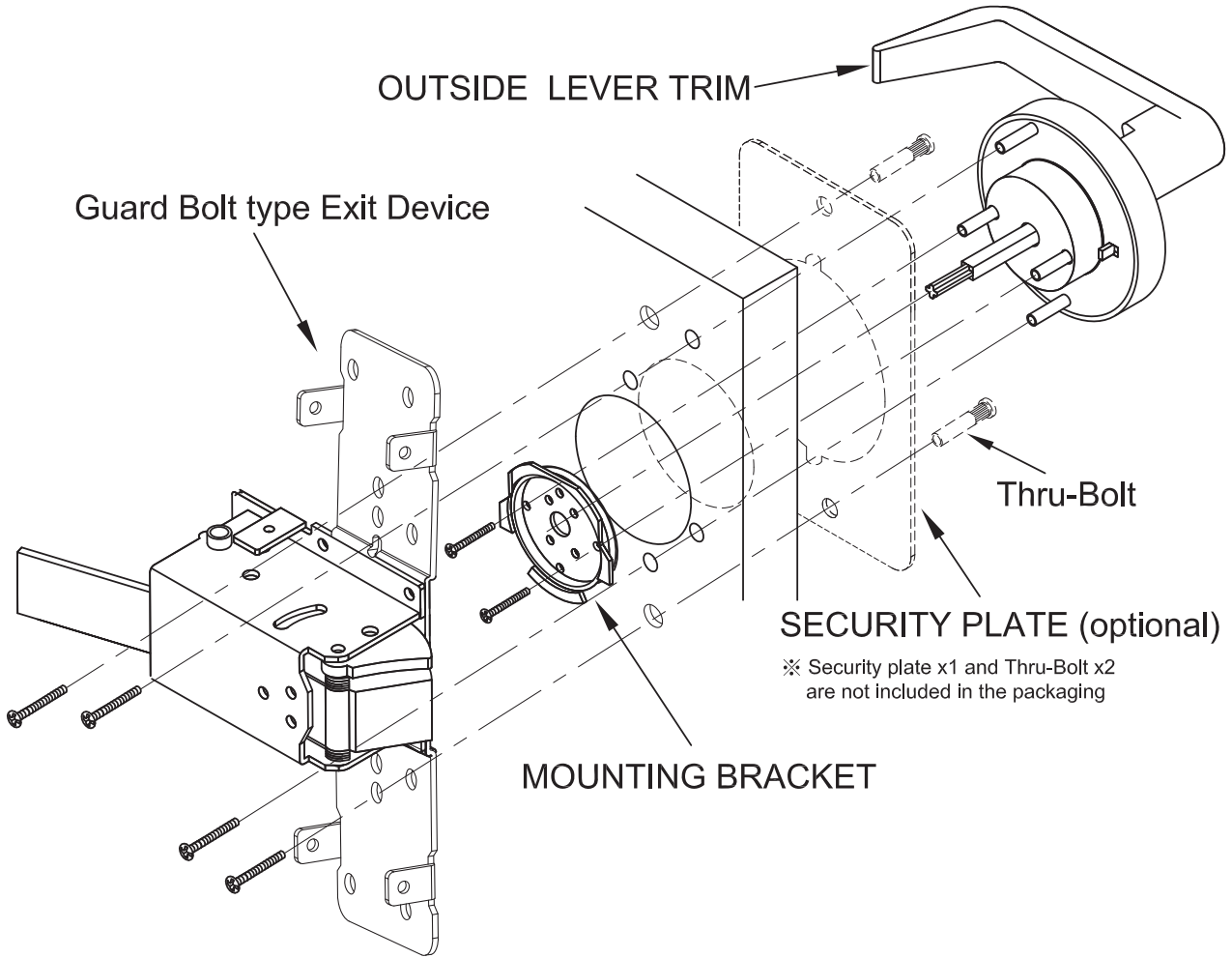
CTC (A) = 2-3/4" (70mm)
CTC (B) = 4-1/4" (108mm)

Trim w/o security plate

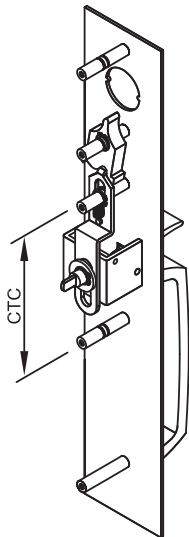


CTC = 2-3/4" (70mm)

Apply TRIM + CHASSIS - 8800 & F8800 series

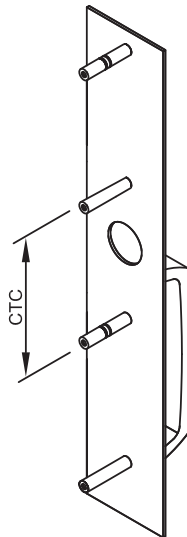


Thumbpiece trim



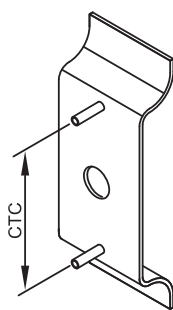
CTC = 4-1/4" (108mm)

Pull trim



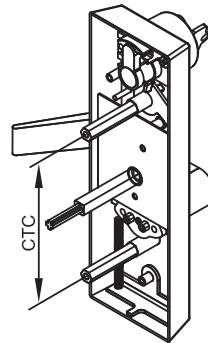
CTC = 4-1/4" (108mm)

Outside Plate trim



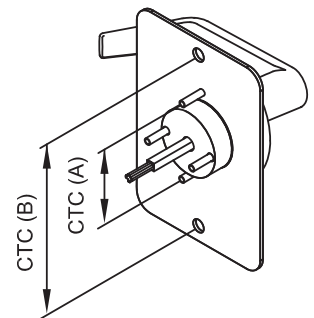
CTC = 4-1/4" (108mm)

ESC lever trim



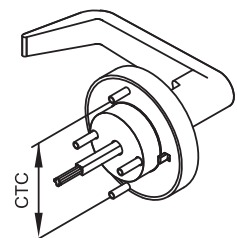
CTC = 4-1/4" (108mm)

Trim with security plate



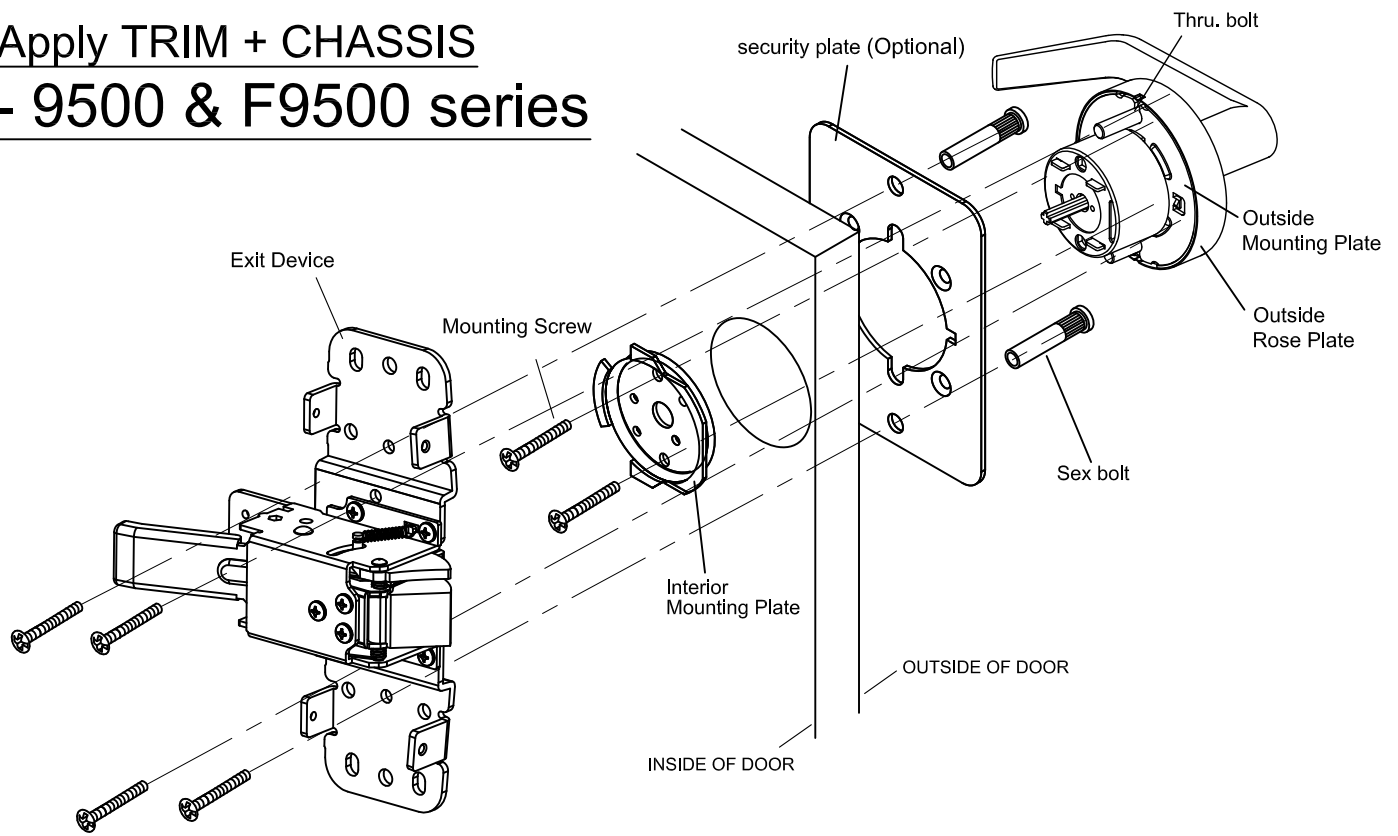
CTC (A) = 2-3/4" (70mm)
CTC (B) = 4-1/4" (108mm)

Trim w/o security plate



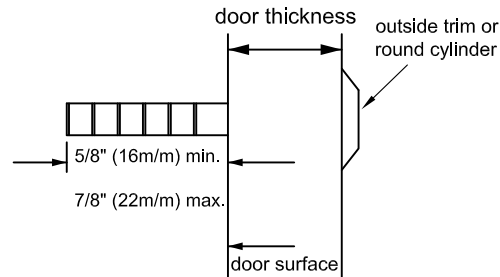
CTC = 2-3/4" (70mm)

Apply TRIM + CHASSIS - 9500 & F9500 series

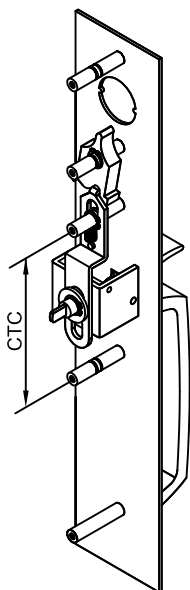


TAILPIECE LENGTH

Keep tailpiece 5/8"~7/8" (16~22m/m) projected.

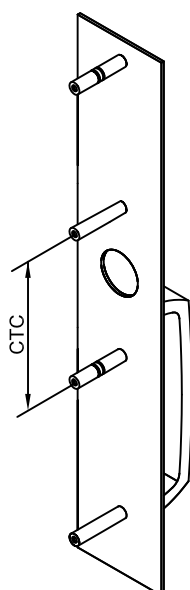


Thumbpiece trim



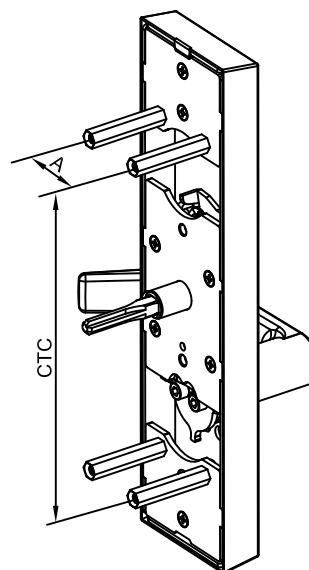
CTC = 4-1/4" (108mm)

Pull trim



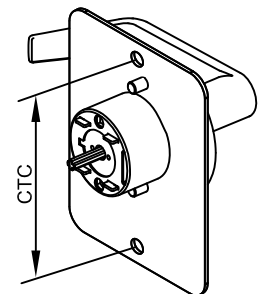
CTC = 4-1/4" (108mm)

Heavy duty ESC lever trim



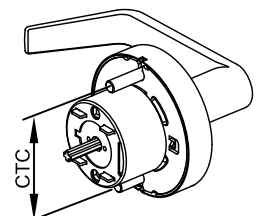
CTC = 7" (177.8mm)
A = 1-25/64" (35.2mm)

Trim with security plate



CTC = 4-1/4" (108mm)

Trim w/o security plate



CTC = 2-3/4" (70mm)