

Installation Instructions

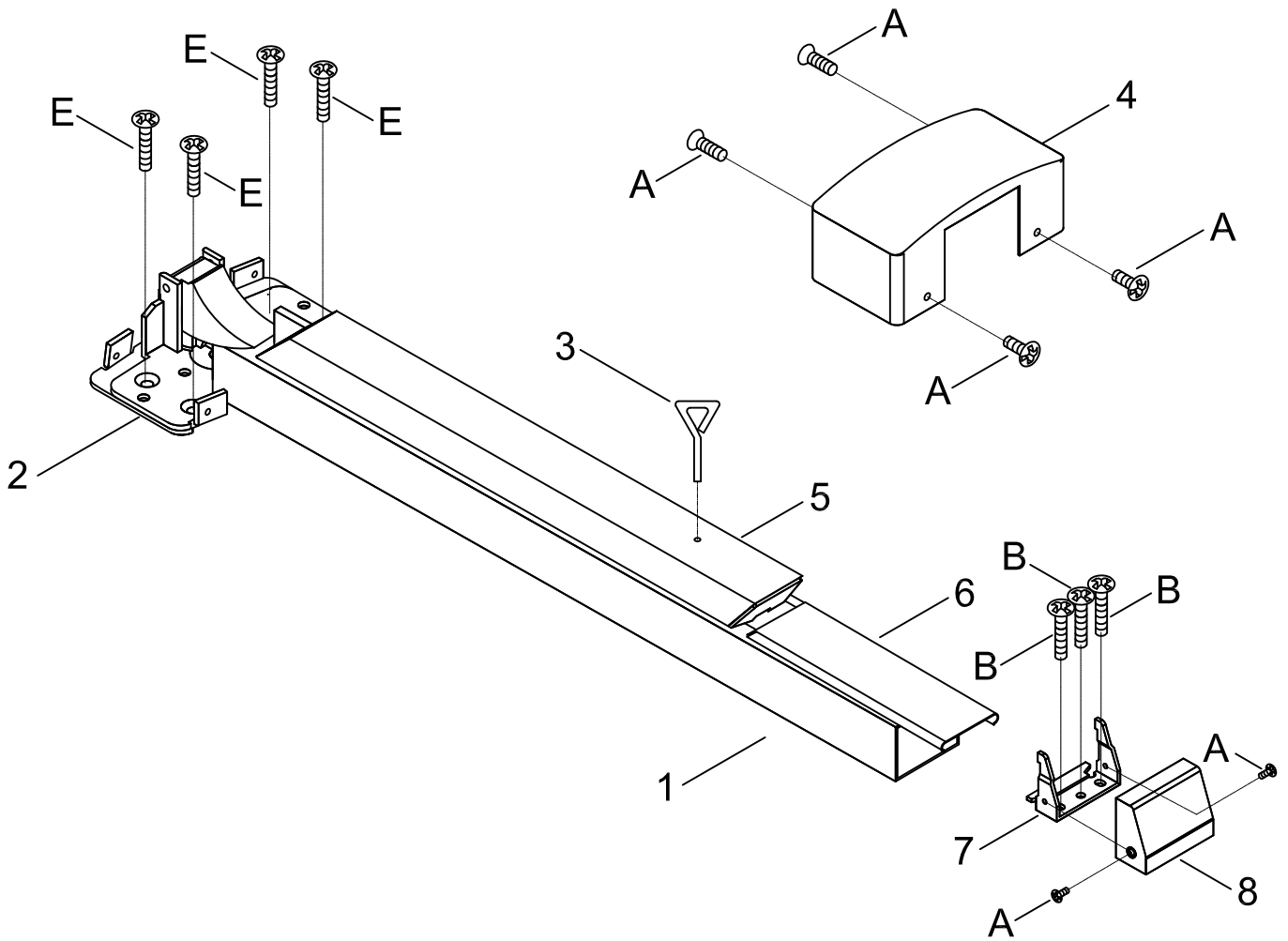
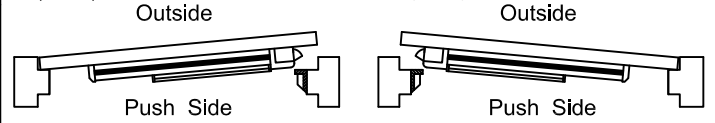
2500 Rim Device

※ The screws (from item B to E), attach both machine & tapping screws for install selection in the accessory package.

How to determine hand of door

Right - Hand Reverse Bevel (RHR)

Left- Hand Reverse Bevel (LHR)



PARTS LIST

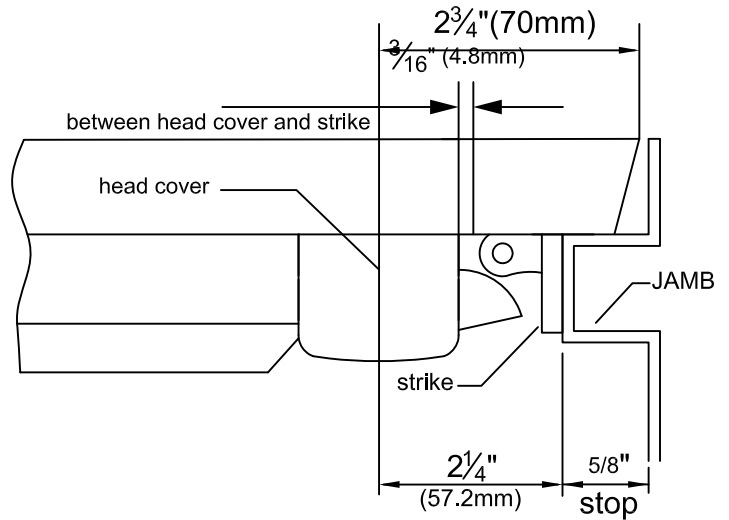
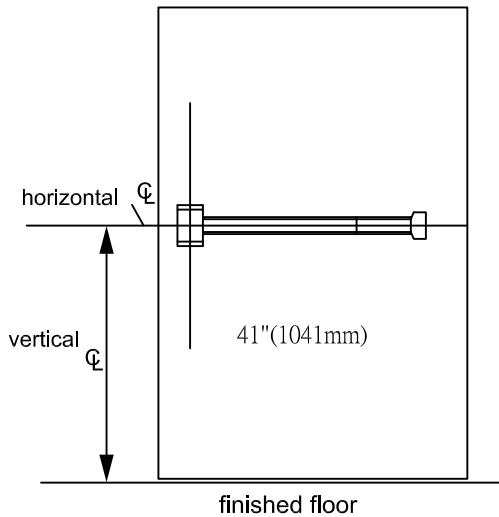
ITEM	DESCRIPTION	Q'ty	Material
1	MOUNTING RAIL	1	Steel
2	CHASSIS ASS'Y	1	Steel
3	ALLEN KEY	1	Steel
4	HEAD COVER	1	Zinc/S304
5	PUSH RAIL	1	Steel/S304
6	SLIDING SHIM	1	Steel/S304
7	BRACKET	1	Steel
8	END CAP	1	Steel/S304
9	STRIKE	1	S304
A	SM4X8 FLAT HEAD SCREWS	6	S304
B	10#X3/4" ROUND HEAD SCREWS	3	Steel
C	10#X3/4" FLAT HEAD SCREWS	1	Steel
D	10#X5/8" ROUND HEAD SCREWS	2	Steel
E	10#X3/4" FLAT HEAD SCREWS	4	Steel

1

2500&F2500 Rim Device

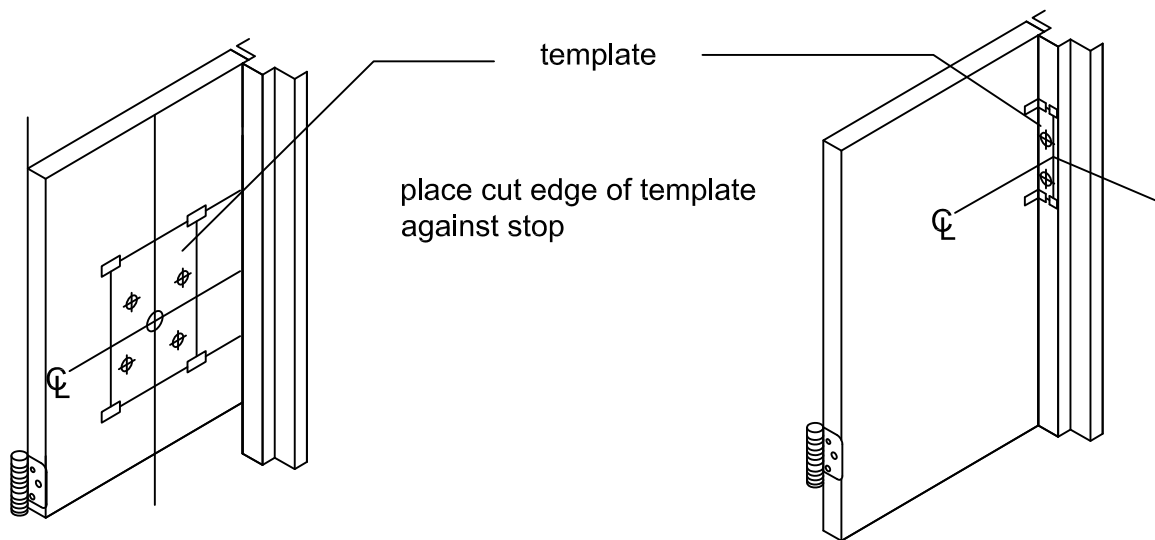
STEP 1 MARK CENTER LINES

If necessary, add strike shim kit under strike for $\frac{3}{16}$ " (4.8mm) as dimension shown



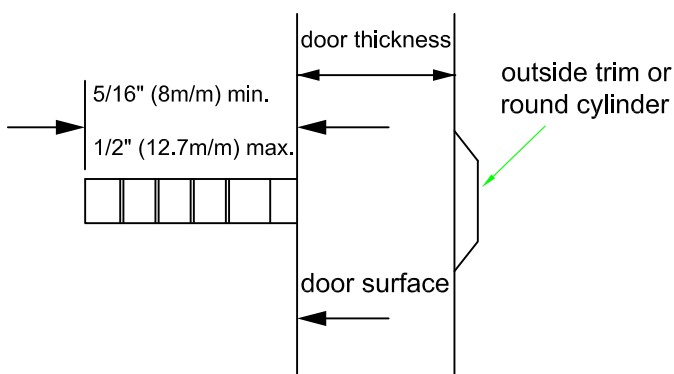
STEP 2 PREPARE INSTALLATION:

※ RHR shown
(LHR opposite)



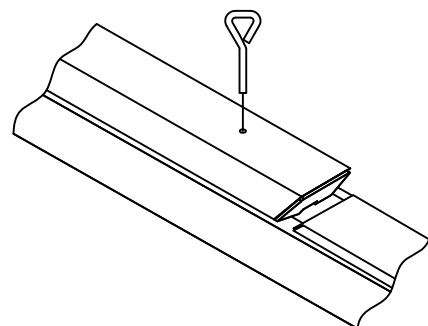
NOTICE 1 : TAILPIECE LENGTH

Keep tailpiece $\frac{5}{16}$ "~ $\frac{1}{2}$ " (8~12.7m/m) projected.



NOTICE 2 : DOGGING (FOR NON-FIRE RATED)

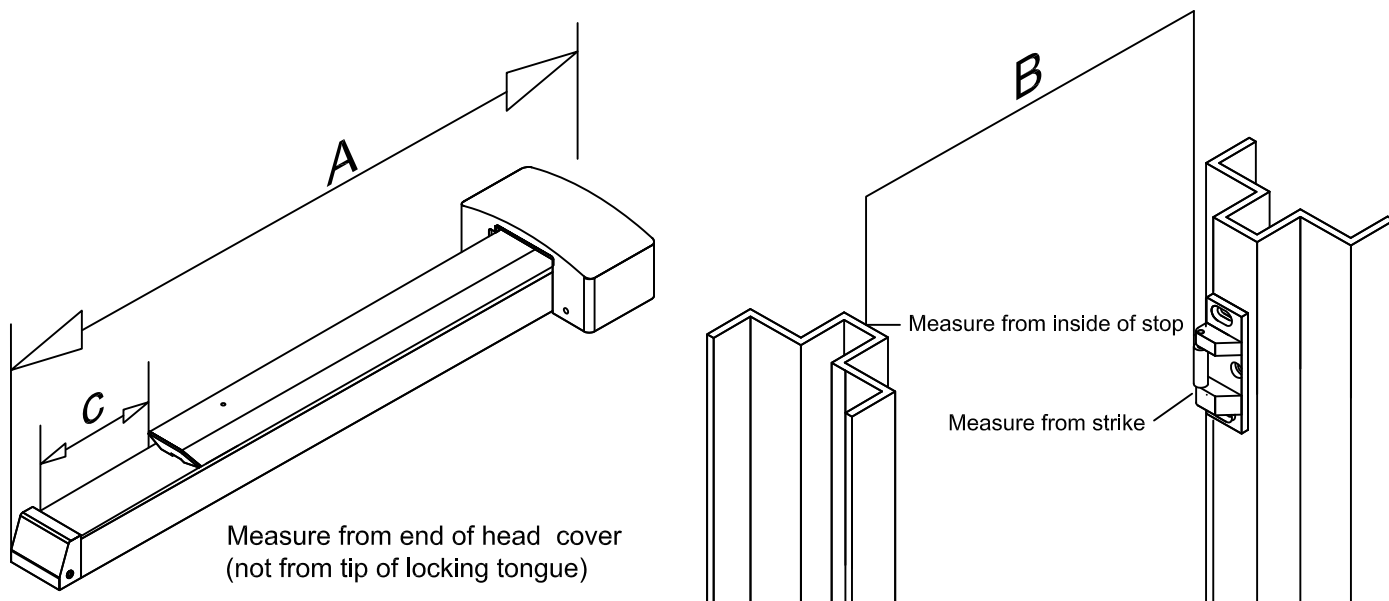
To press down the push rail, turn the hex allen key clockwise or counterclockwise. The device will change the function to "Passage".



2500&F2500 Rim Device

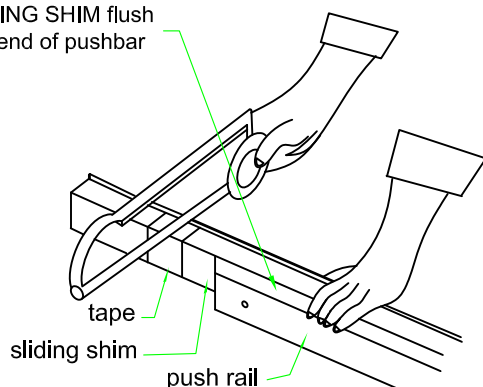
STEP 3 CUT DEVICE IF NECESSARY

3.1 Device length A must be at least 1½" (38mm) shorter than B



3.2 If necessary cut device so A is at least 1½" (38mm) shorter than B.

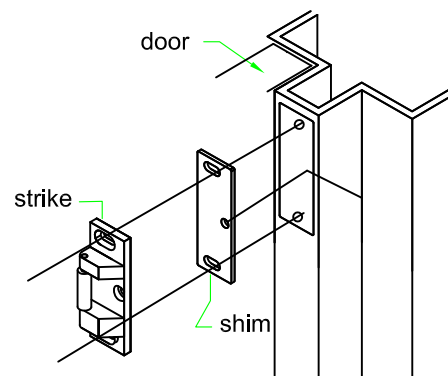
SLIDING SHIM flush with end of pushbar



NOTE : the minimum length of the sliding shim must be 1"(25.4mm) or longer than dimension "c" on the above illustration.

3.3 Standard Door Stop is 5/8"(15.9mm). Install 1/8"(3mm) thick shim if necessary

- (1) 1/8"(3mm) shim for prepared doors with 1/2" (12.7mm) stop.
- (2) Shim always furnished as standard part of package, which is mounted beneath strike.

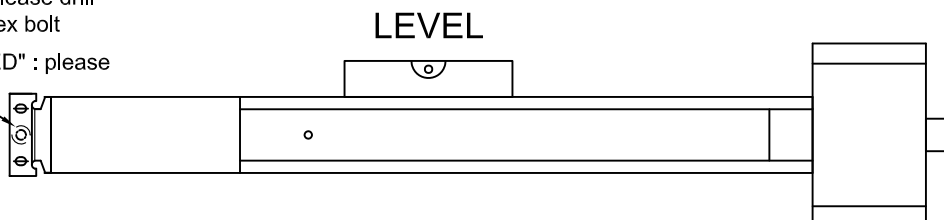


STEP 4 : MOUNTING DEVICE

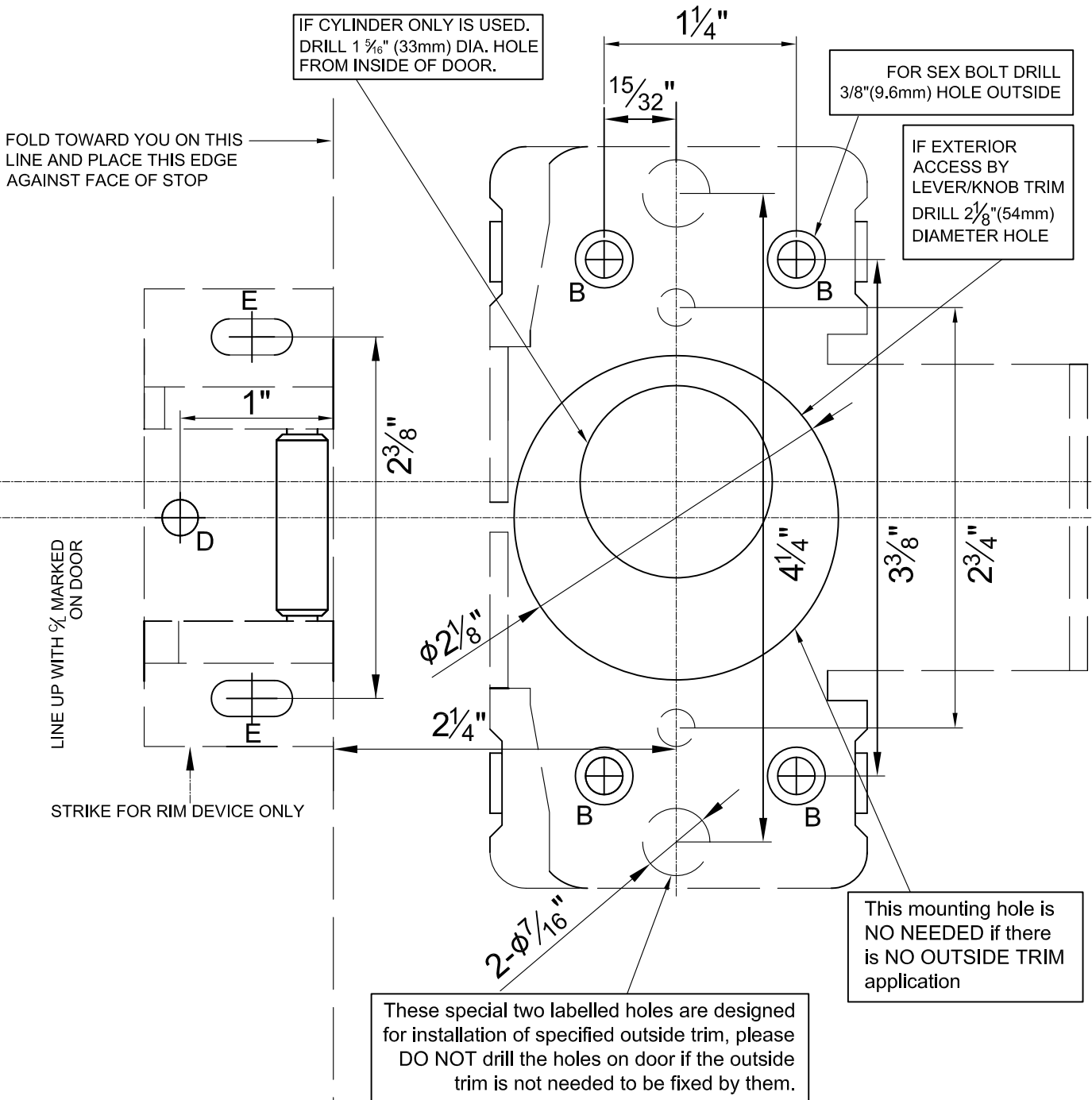
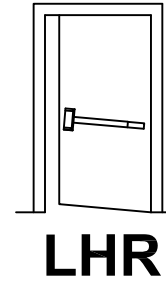
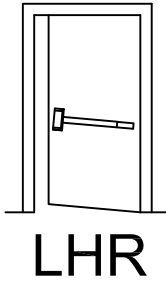
1. Take off head cover and then put device horizontally at the door. Fix screws (B) on chassis but DO NOT tighten them at this step.
2. Install bracket. Be sure to remain device being horizontal and then tighten all screws.
3. Install end cap & head cover.

※ for "FIRE RATED" : please drill $\phi 3/8"$ (9.6mm) hole for sex bolt

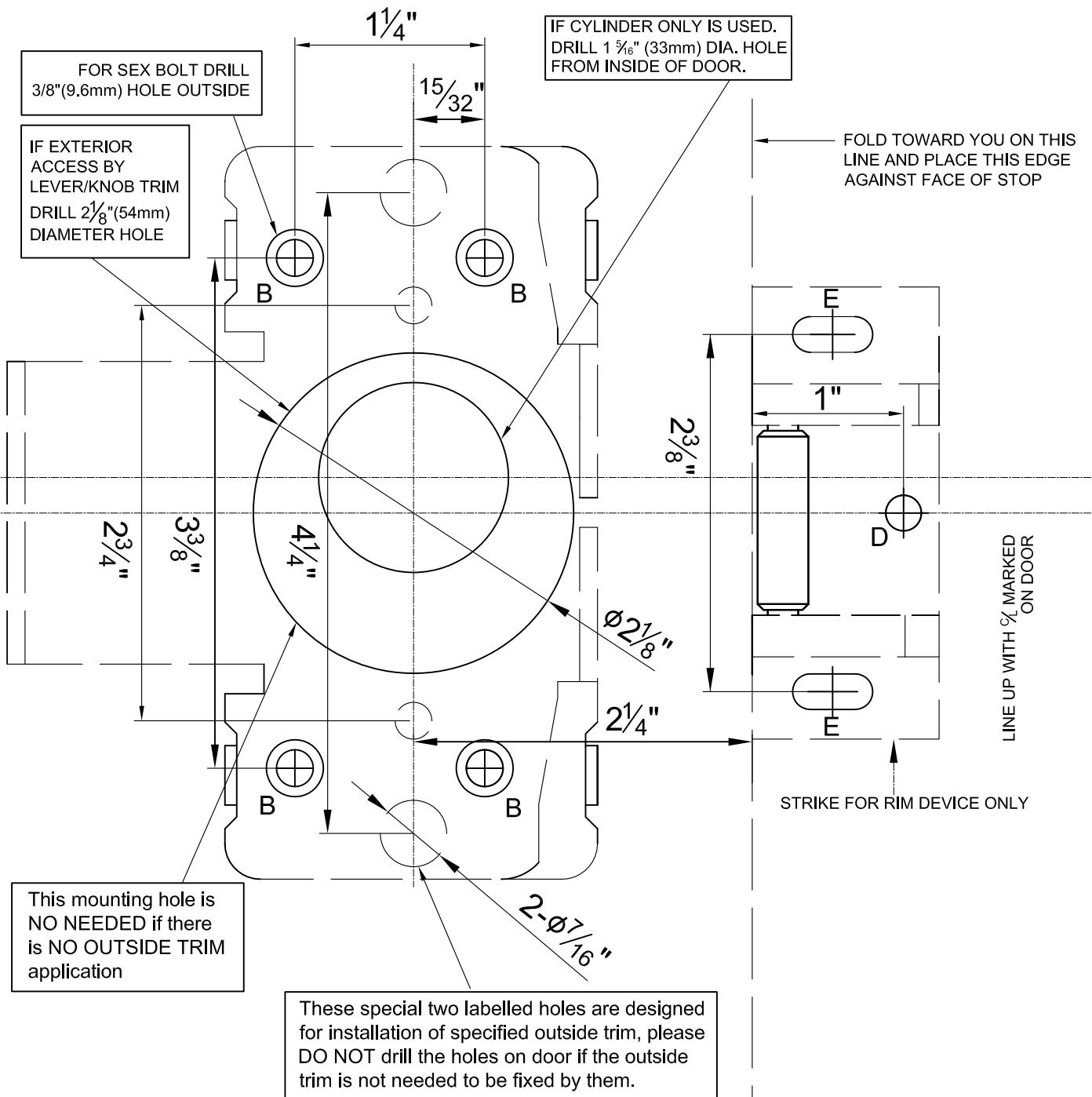
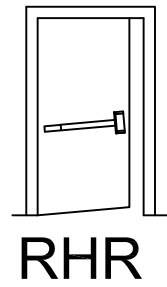
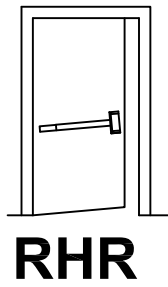
※ for "NON-FIRE RATED" : please use screw C directly



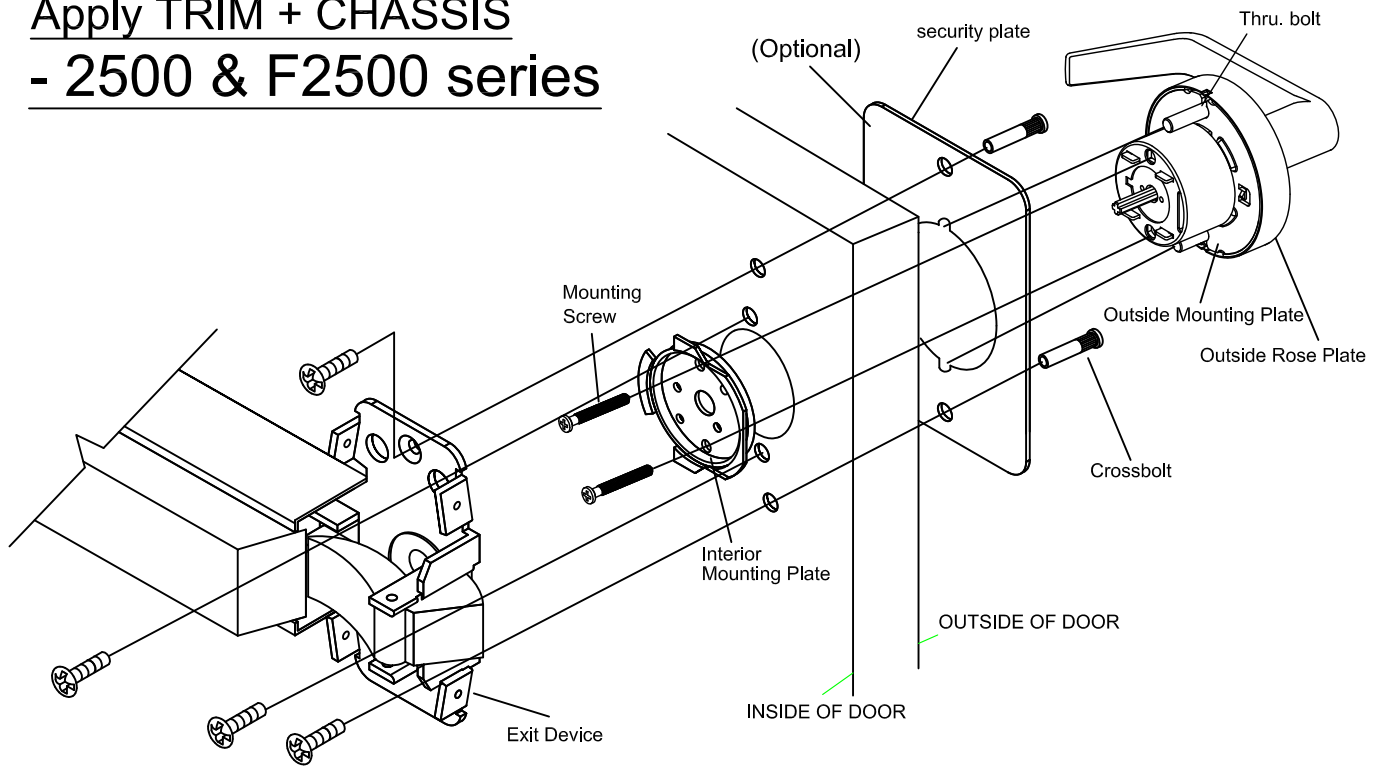
TEMPLATE FOR 2500 / F2500 RIM DEVICE (1:1)



TEMPLATE FOR 2500 / F2500 RIM DEVICE (1:1)

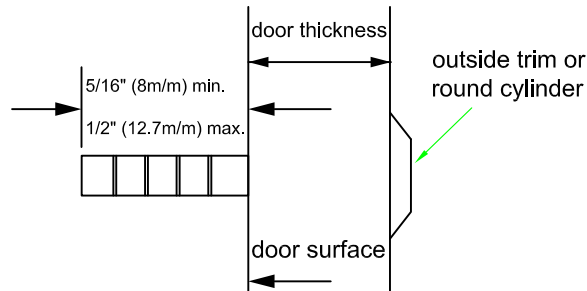


Apply TRIM + CHASSIS - 2500 & F2500 series

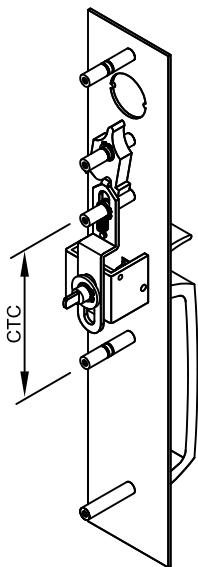


TAILPIECE LENGTH

Keep tailpiece 5/16"~1/2" (8~12.7m/m) projected.

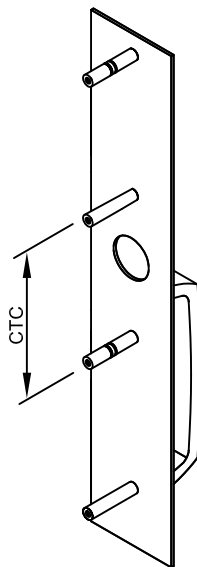


Thumbpiece trim



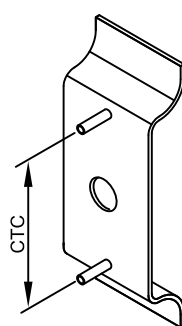
CTC = 4-1/4" (108mm)

Pull trim



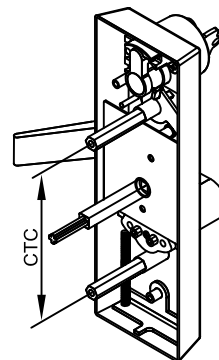
CTC = 4-1/4" (108mm)

Outside Plate trim



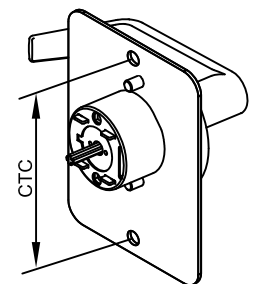
CTC = 4-1/4" (108mm)

ESC lever trim



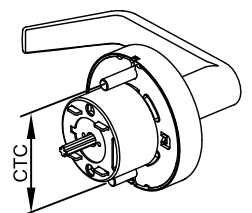
CTC = 4-1/4" (108mm)

Trim with security plate



CTC = 4-1/4" (108mm)

Trim w/o security plate



CTC = 2-3/4" (70mm)