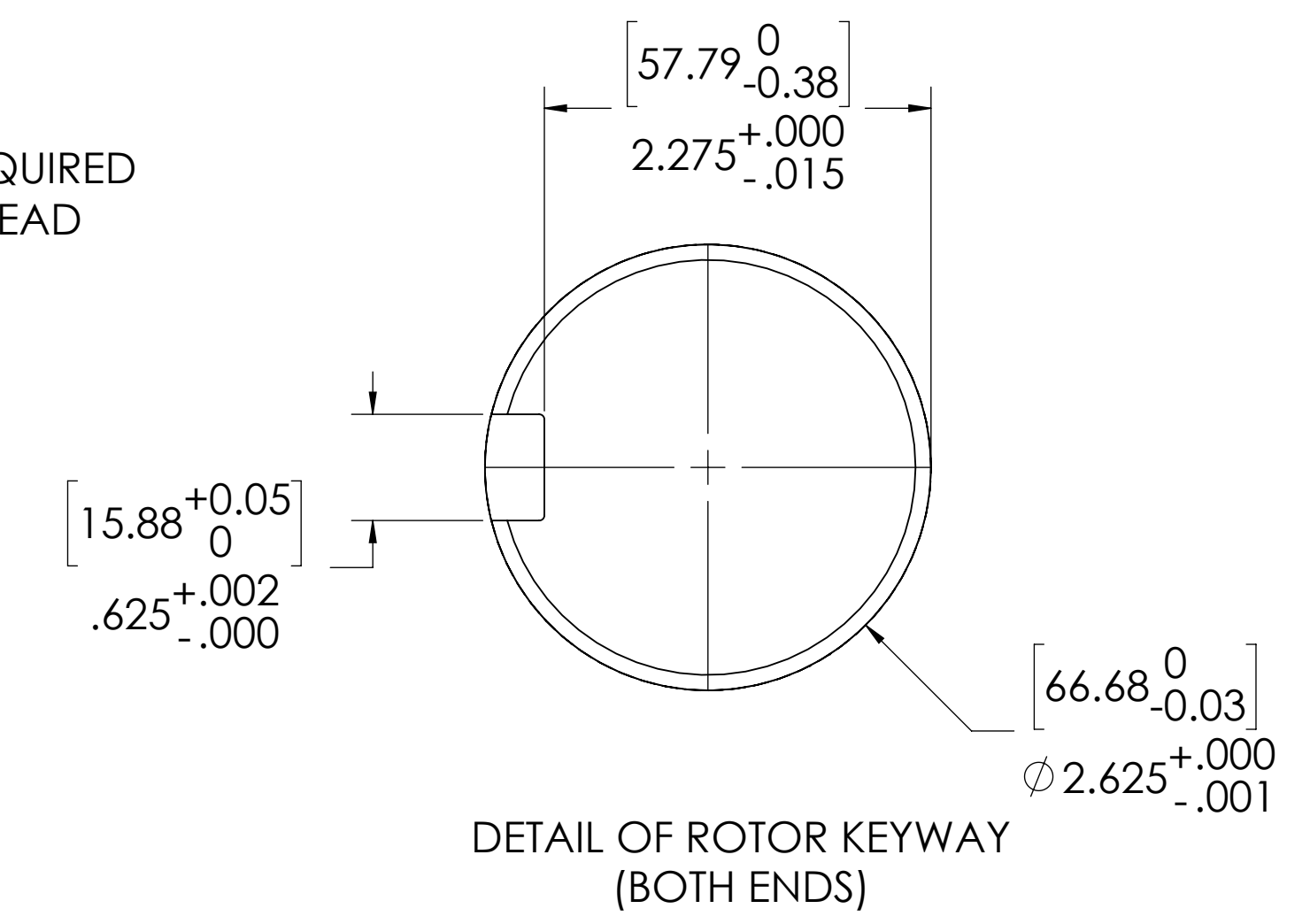
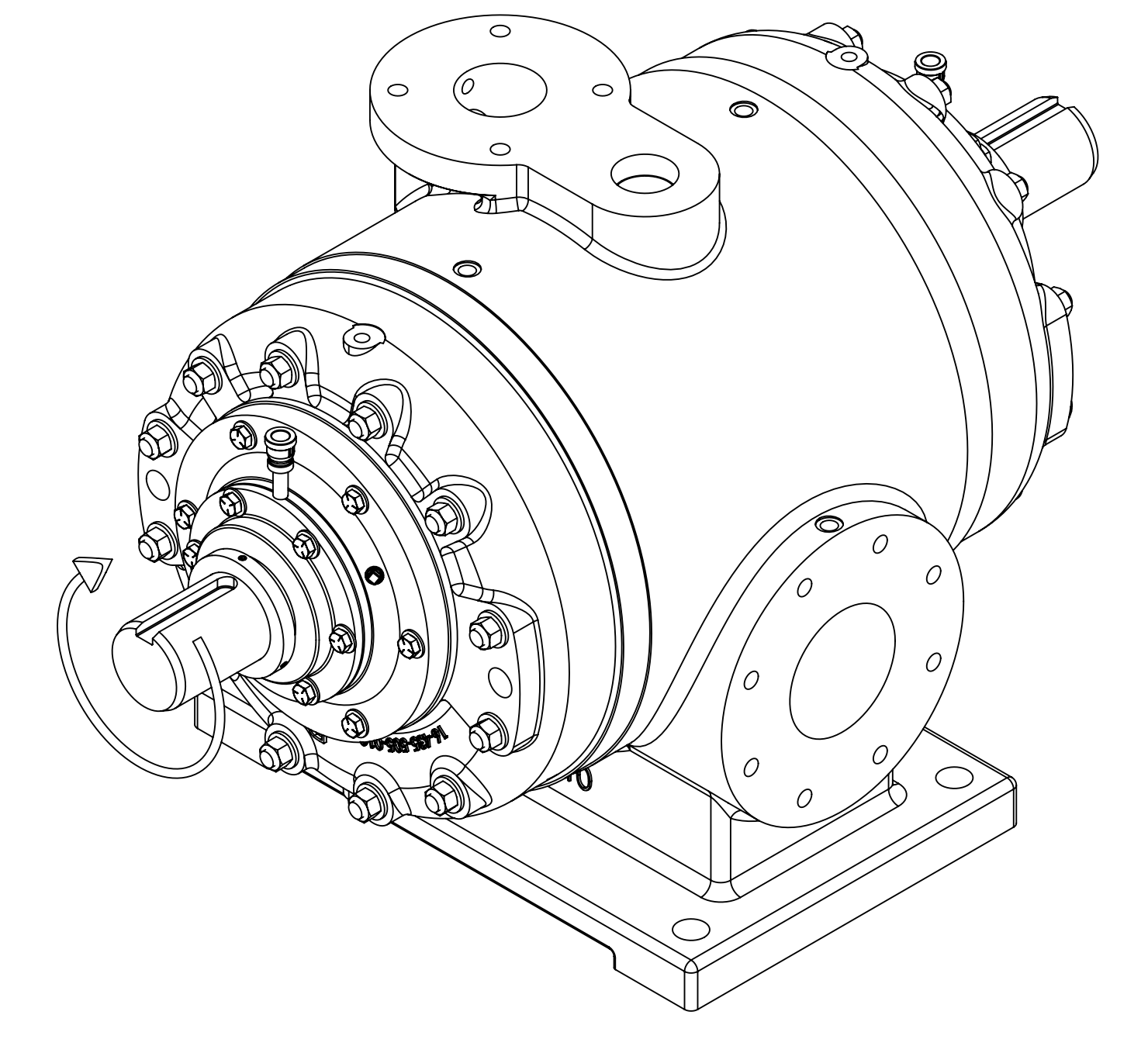
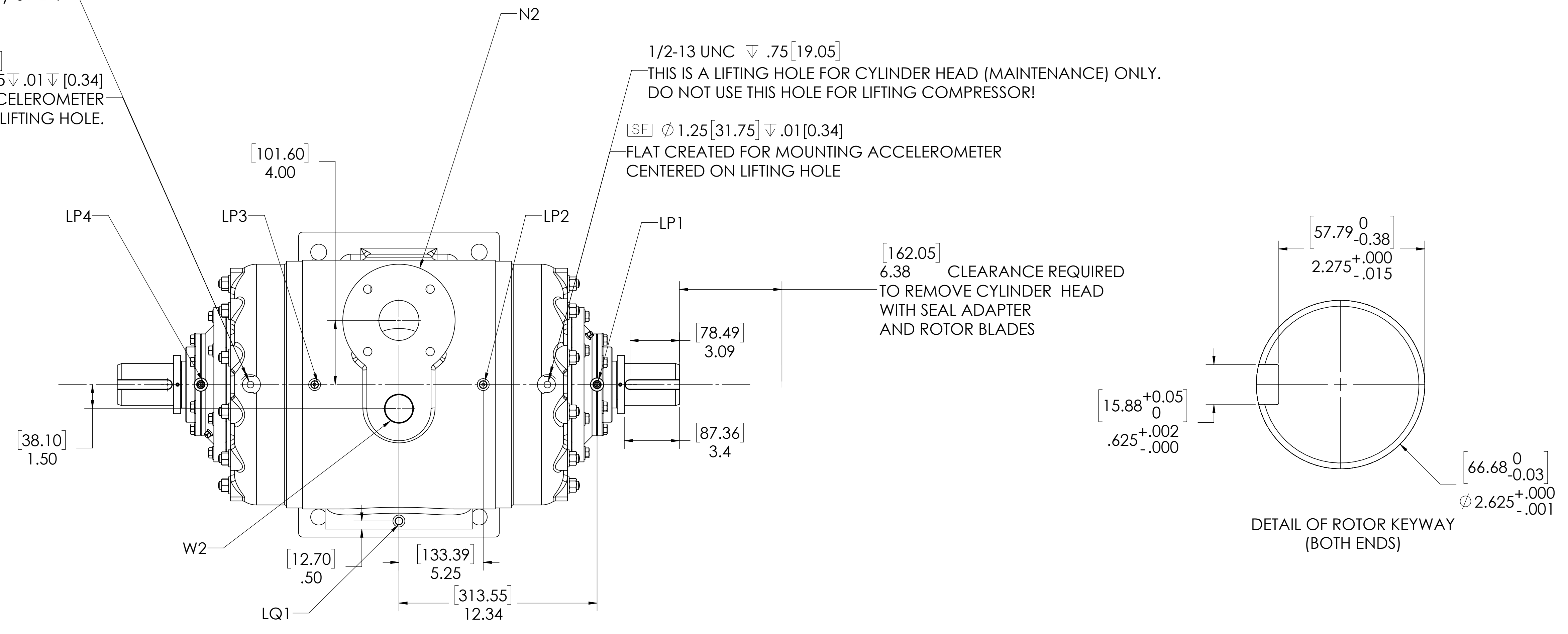


1/2-13 UNC  $\nabla$  .75 [19.05]  
THIS IS A LIFTING HOLE FOR CYLINDER HEAD (MAINTENANCE) ONLY.  
DO NOT USE THIS HOLE FOR LIFTING COMPRESSOR!

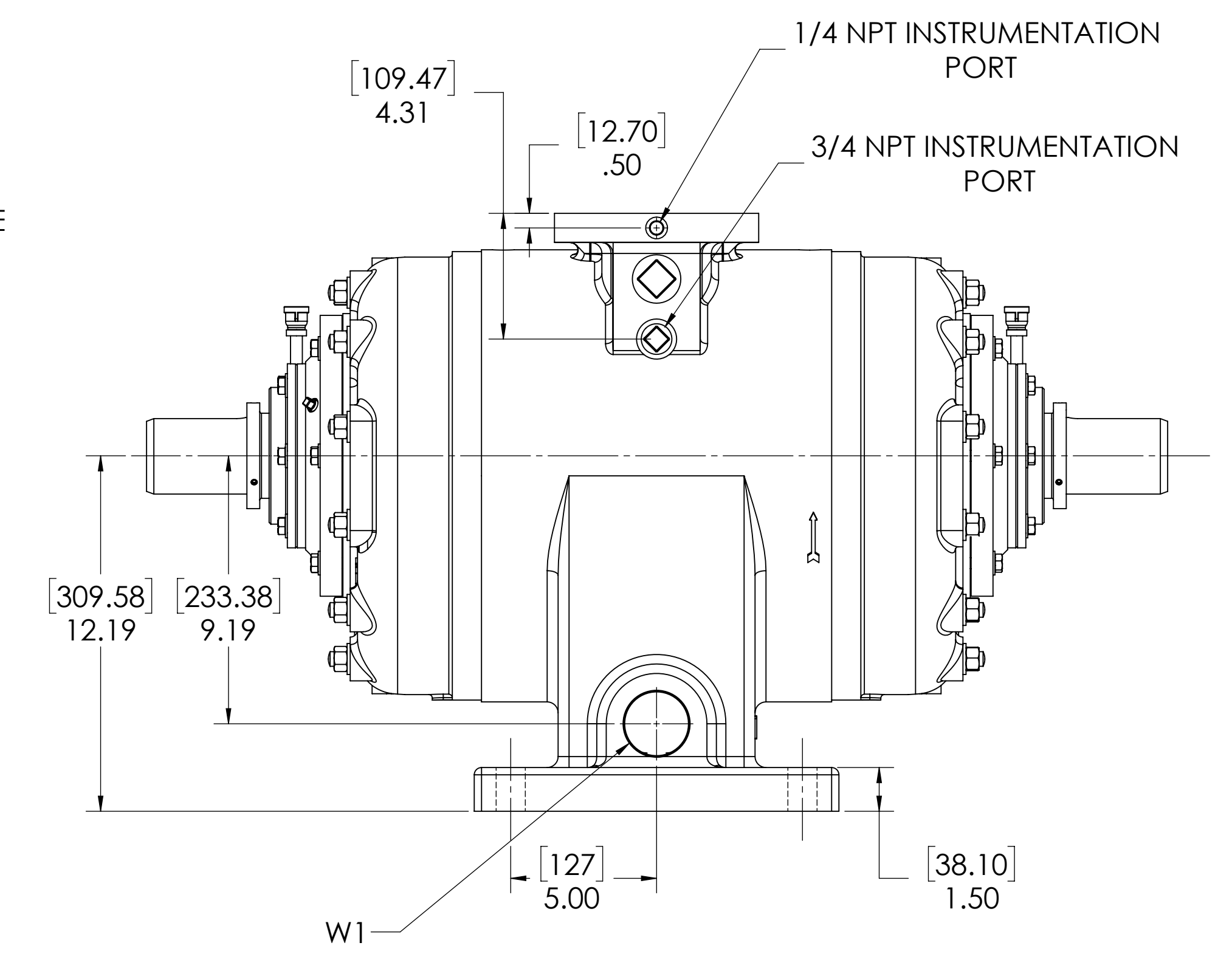
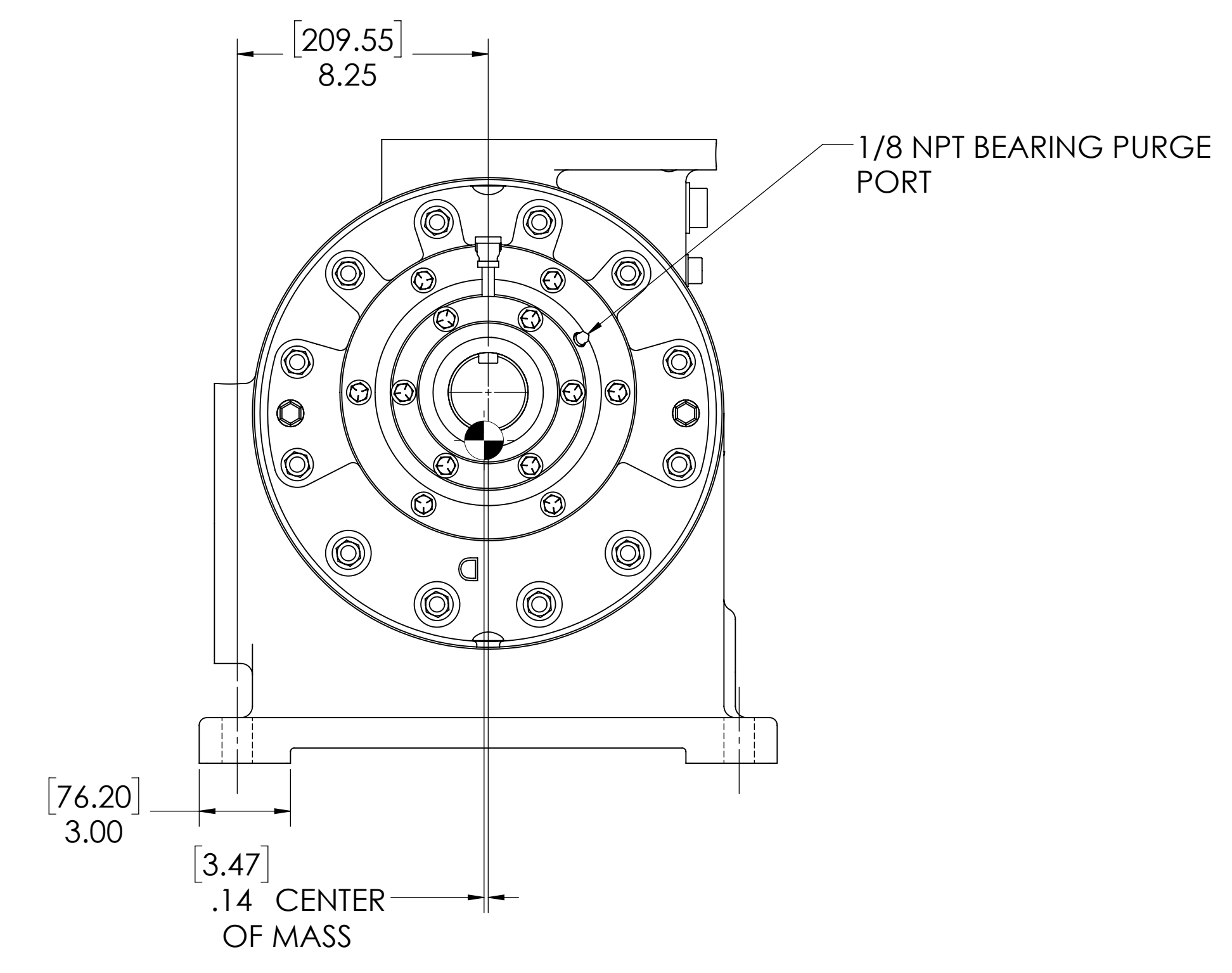
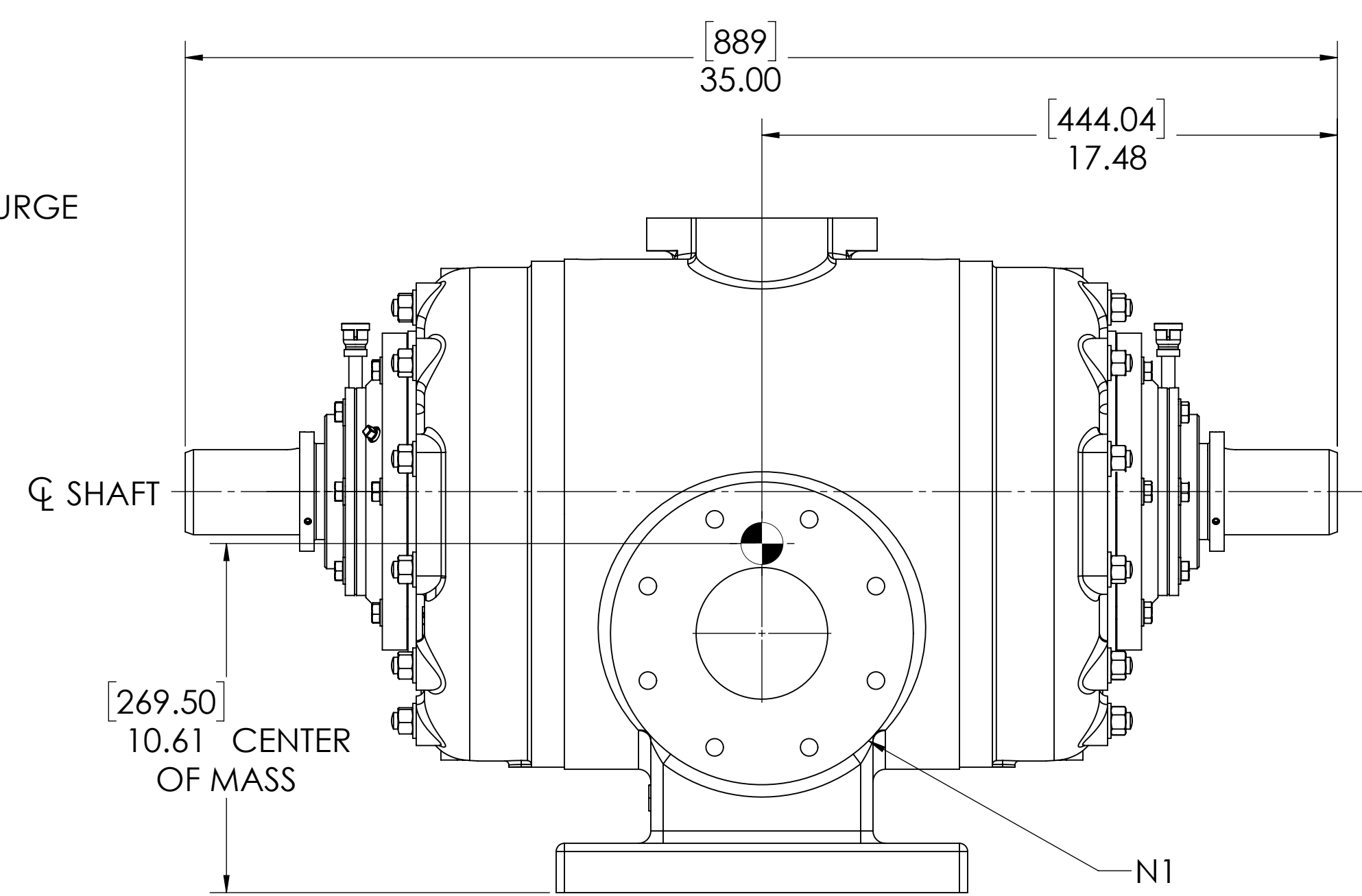
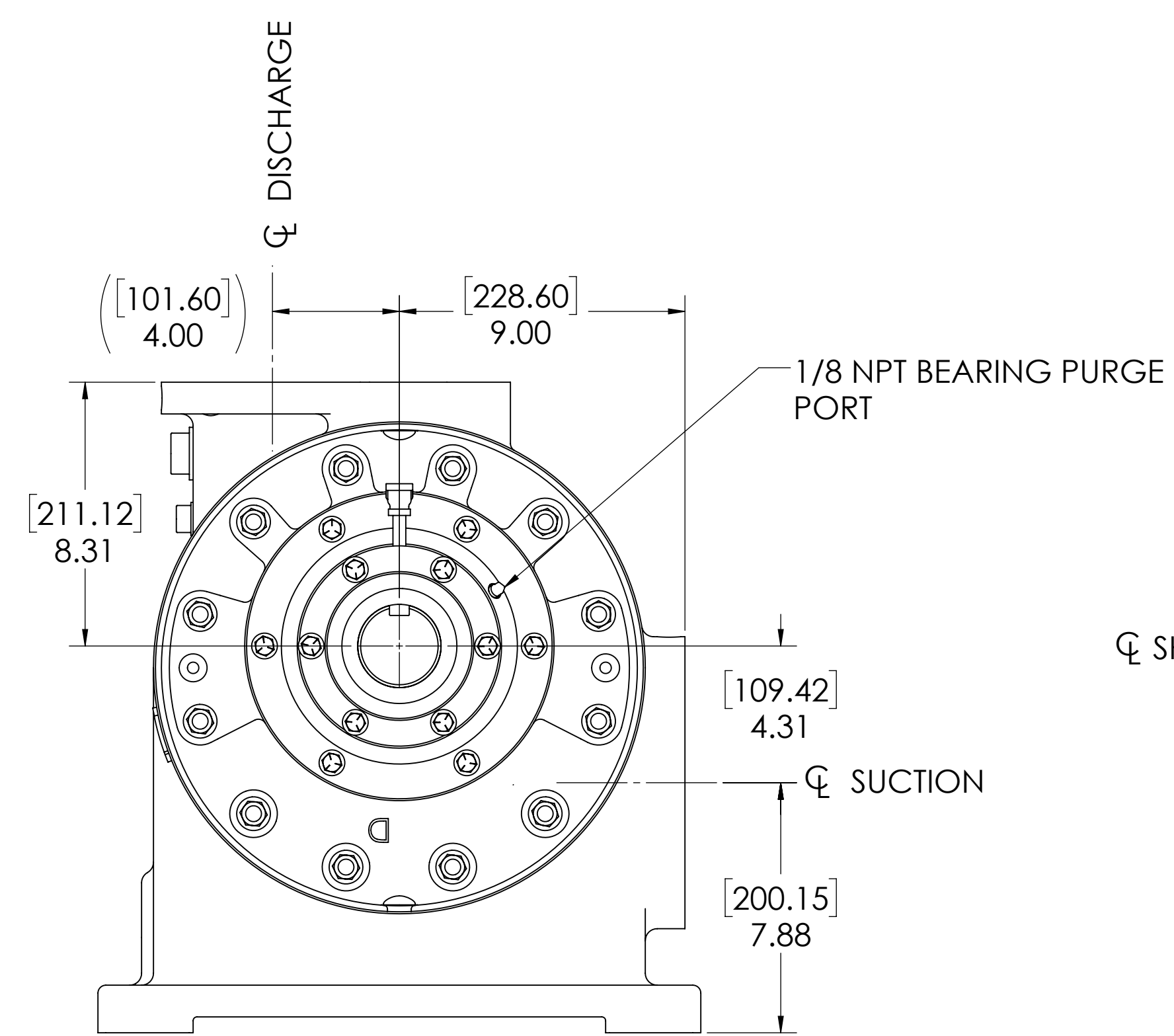
[31.75]  
[SF]  $\phi$  1.25  $\nabla$  .01  $\nabla$  [0.34]  
FLAT CREATED FOR MOUNTING ACCELEROMETER  
CENTERED ON LIFTING HOLE.

1/2-13 UNC  $\nabla$  .75 [19.05]  
THIS IS A LIFTING HOLE FOR CYLINDER HEAD (MAINTENANCE) ONLY.  
DO NOT USE THIS HOLE FOR LIFTING COMPRESSOR!

[SF]  $\phi$  1.25 [31.75]  $\nabla$  .01 [0.34]  
FLAT CREATED FOR MOUNTING ACCELEROMETER  
CENTERED ON LIFTING HOLE



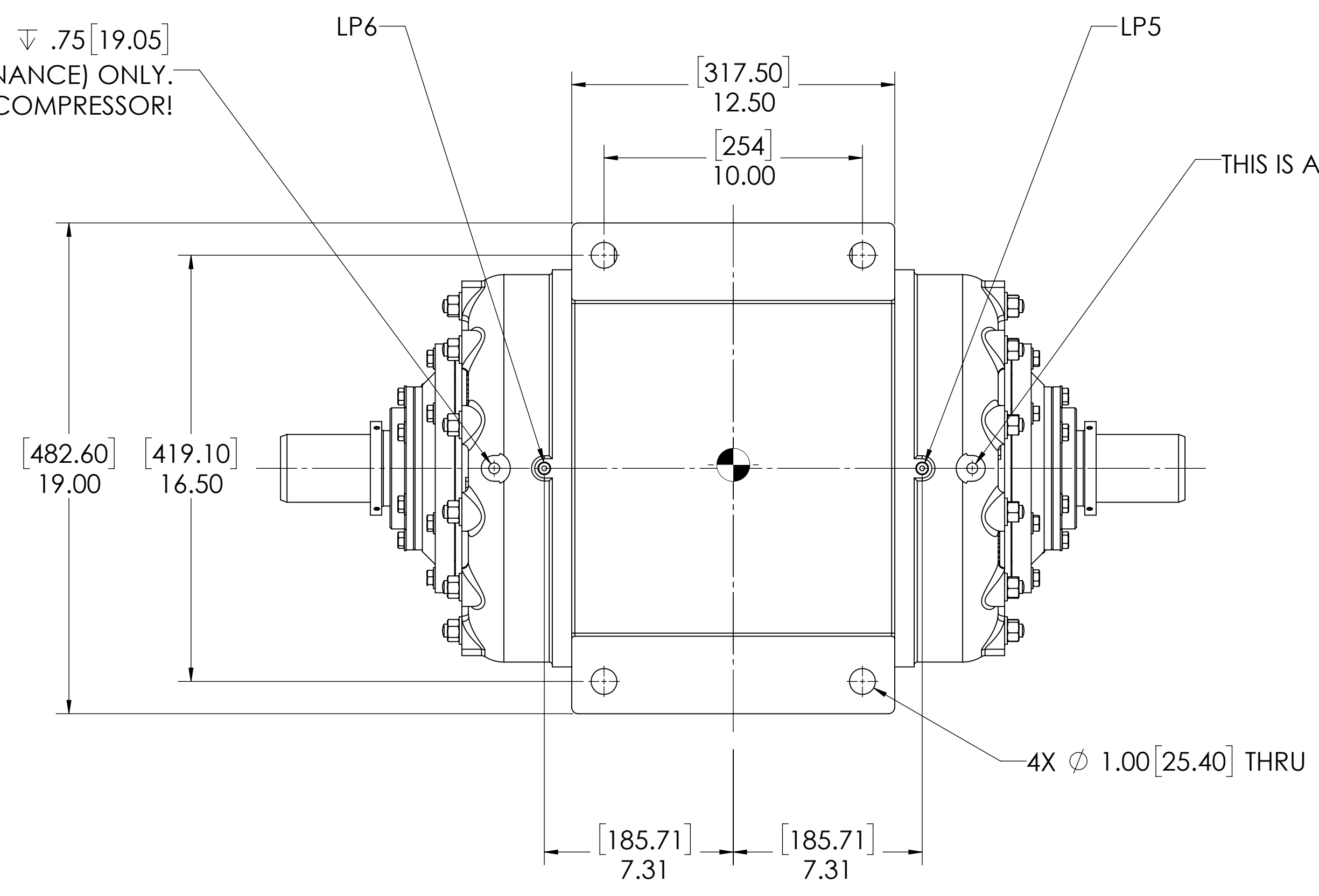
[162.05] 6.38 CLEARANCE REQUIRED  
TO REMOVE CYLINDER HEAD  
WITH SEAL ADAPTER  
AND ROTOR BLADES



OIL CONNECTION POINTS SUMMARY		
(REFER TO MANUAL FOR FURTHER INFORMATION)		
DESCRIPTION	THREAD SIZE	QTY
OIL QUILL (LQx)	1/4 NPT	1
LUBE POINTS (LPx)	1/4 NPT	6

1/2-13 UNC  $\nabla$  .75 [19.05]  
THIS IS A LIFTING HOLE FOR CYLINDER HEAD (MAINTENANCE) ONLY.  
DO NOT USE THIS HOLE FOR LIFTING COMPRESSOR!

1/2-13 UNC  $\nabla$  .75 [19.05]  
THIS IS A LIFTING HOLE FOR CYLINDER HEAD (MAINTENANCE) ONLY.  
DO NOT USE THIS HOLE FOR LIFTING COMPRESSOR!



- NOTES:
- CENTER OF MASS DIMENSIONS ARE APPROXIMATE
  - WEIGHT IS APPROXIMATE
  - DRAWING IS DUAL DIMENSION. DIMENSIONS WITHOUT BRACKETS ARE IN INCHES. DIMENSIONS IN [BRACKETS] ARE IN MILLIMETERS

NOZZLE CONNECTIONS	BOLT HOLE SIZE
N1 4" GAS SUCTION FLANGE (ANSI CLASS 150 FLAT FACE)	8 x 5/8-11 $\nabla$ 1.00
N2 2.5" GAS DISCHARGE FLANGE (ANSI CLASS 150 FLAT FACE)	4 x 5/8-11 $\nabla$ 1.00
W1 2 NPT(F) WATER INLET (SEE NOTE 2)	N/A
W2 1-1/2 NPT(F) WATER OUTLET	N/A