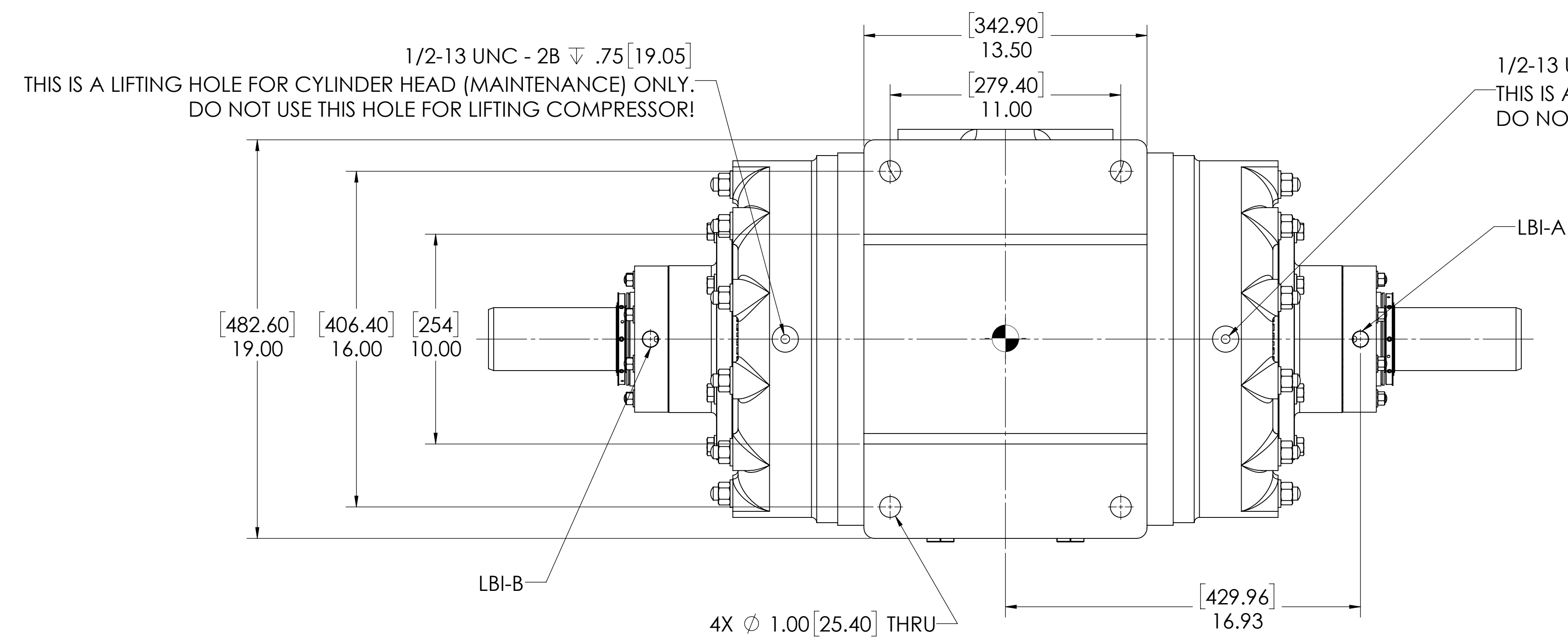


OIL CONNECTION POINTS SUMMARY		
(REFER TO MANUAL FOR FURTHER INFORMATION)		
DESCRIPTION	THREAD SIZE	QTY
LUBE QUILL (LQx)	1/4 NPT (F)	1
LUBE POINTS (LPx)	1/4 NPT (F)	6
SEAL SUPPLY (LBI-A, LBI-B)	1/2 NPT-(F)	2
SEAL RETURN (LBO-A, LBO-B)	1/2 NPT-(F)	2



- NOTES:
- CENTER OF MASS DIMENSIONS ARE APPROXIMATE
  - EITHER WATER INLET MAY BE USED, DEPENDING UPON SYSTEM NEEDS
  - WEIGHT IS APPROXIMATE
  - DRAWING IS DUAL DIMENSIONS. DIMENSIONS WITHOUT BRACKETS ARE IN INCHES, DIMENSIONS IN [BRACKETS] ARE IN MILLIMETERS.

NOZZLE CONNECTIONS		BOLT HOLE SIZE
N1	5" GAS SUCTION FLANGE (ANSI CLASS 150 FLAT FACE)	8 x 3/4-10 $\nabla$ 1.20
N2	3" GAS DISCHARGE FLANGE (ANSI CLASS 150 FLAT FACE)	4 x 5/8-11 $\nabla$ 1.00
W1A	2 NPT(F) WATER INLET (SEE NOTE 2)	N/A
W1B	2 NPT(F) WATER INLET (SEE NOTE 2)	N/A
W2	1-1/2 NPT(F) WATER OUTLET	N/A
D1	1-1/4 NPT(F) DRAIN HOLE	N/A
D2	1-1/4 NPT(F) DRAIN HOLE	N/A

UNLESS OTHERWISE SPECIFIED: DIMENSIONS ARE IN INCHES UNLESS INDICATED. ANGULAR TOLERANCES: 1/16" AND FLATNESS: 0.004" UNLESS OTHERWISE SPECIFIED. TOLERANCES: FRACTIONS DECIMALS INCHES MILLIMETERS. INTERFERING GEOMETRIC TOLERANCING PER: ASME Y14.5-2009. UNLESS OTHERWISE SPECIFIED: THIS DRAWING IS THE PROPERTY OF RO-FLO COMPRESSORS, LLC. IT IS TO BE USED ONLY FOR THE MANUFACTURE OF RO-FLO COMPRESSORS, LLC. PRODUCTS. REPRODUCTION IN PART OR AS A WHOLE WITHOUT THE WRITTEN PERMISSION OF RO-FLO COMPRESSORS, LLC. IS PROHIBITED.

NAME: DATE: 8/24/2017  
 DRAWN: TBF  
 CHECKED: ISS  
 ENG APPR: BJS  
 PROJECT AND CONVENTION: GENERAL ARRANGEMENT, HP11, CARTRIDGE  
 SIZE: PART NO.: 16-123-618-765  
 SCALE: 1:4  
 SHEET: 1 OF 1

**Ro-Flo**  
 Compressors, LLC  
 GENERAL ARRANGEMENT,  
 HP11, CARTRIDGE