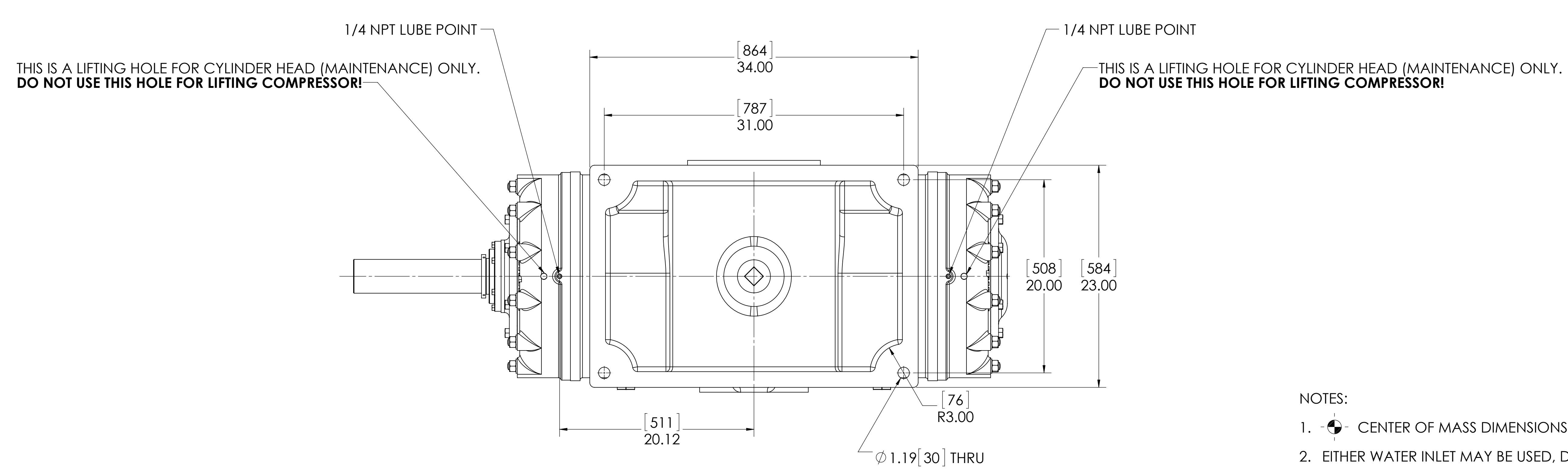


USE EITHER CONNECTION TO SUIT



- NOTES:
- CENTER OF MASS DIMENSIONS ARE APPROXIMATE
  - EITHER WATER INLET MAY BE USED, DEPENDING UPON SYSTEM NEEDS
  - WEIGHT IS APPROXIMATE

OIL CONNECTION POINTS SUMMARY		
(REFER TO MANUAL FOR FURTHER INFORMATION)		
DESCRIPTION	THREAD SIZE	QTY
OIL QUILL	1/4 NPT	1
LUBE POINTS	1/4 NPT	8
SEAL SUPPLY	NONE	NONE
SEAL RETURN	NONE	NONE

UNLESS OTHERWISE SPECIFIED: DIMENSIONS ARE IN INCHES TOLERANCES: ANGULAR: MACH 2 DEG DIM PLACE DECIMAL 1/16 HOLE PLACE DECIMAL 1/32 HOLE PLACE DECIMAL 1/32	<table border="1"> <tr> <th>NAME</th> <th>DATE</th> </tr> <tr> <td>DRAWN</td> <td>18F 2/13/2015</td> </tr> <tr> <td>CHECKED</td> <td>TSS 2/13/2015</td> </tr> <tr> <td>ENG APPR</td> <td>88S 2/13/2015</td> </tr> </table>	NAME	DATE	DRAWN	18F 2/13/2015	CHECKED	TSS 2/13/2015	ENG APPR	88S 2/13/2015							
NAME	DATE															
DRAWN	18F 2/13/2015															
CHECKED	TSS 2/13/2015															
ENG APPR	88S 2/13/2015															
PROPERTY AND CONFIDENTIALITY NOTICE: THE INFORMATION CONTAINED IN THIS DRAWING IS THE SOLE PROPERTY OF RO-FLO COMPRESSORS, LLC. ANY REPRODUCTION IN PART OR AS A WHOLE WITHOUT THE WRITTEN PERMISSION OF RO-FLO COMPRESSORS, LLC IS PROHIBITED.	<table border="1"> <tr> <th>SIZE</th> <th>PART NO.</th> <th>REV</th> </tr> <tr> <td>E</td> <td>16-123-633-530</td> <td>02</td> </tr> </table>	SIZE	PART NO.	REV	E	16-123-633-530	02	<table border="1"> <tr> <th>TITLE</th> <th>SCALE</th> <th>PROJ</th> <th>REV</th> </tr> <tr> <td>GENERAL ARRANGEMENT, 17S, SF, CCW</td> <td>1:6</td> <td>3500#</td> <td>1 OF 1</td> </tr> </table>	TITLE	SCALE	PROJ	REV	GENERAL ARRANGEMENT, 17S, SF, CCW	1:6	3500#	1 OF 1
SIZE	PART NO.	REV														
E	16-123-633-530	02														
TITLE	SCALE	PROJ	REV													
GENERAL ARRANGEMENT, 17S, SF, CCW	1:6	3500#	1 OF 1													