

1/2-13 UNC - 2B ∇ .62 [15.75]
THIS IS A LIFTING HOLE FOR CYLINDER HEAD (MAINTENANCE) ONLY.
DO NOT USE THIS HOLE FOR LIFTING COMPRESSOR!

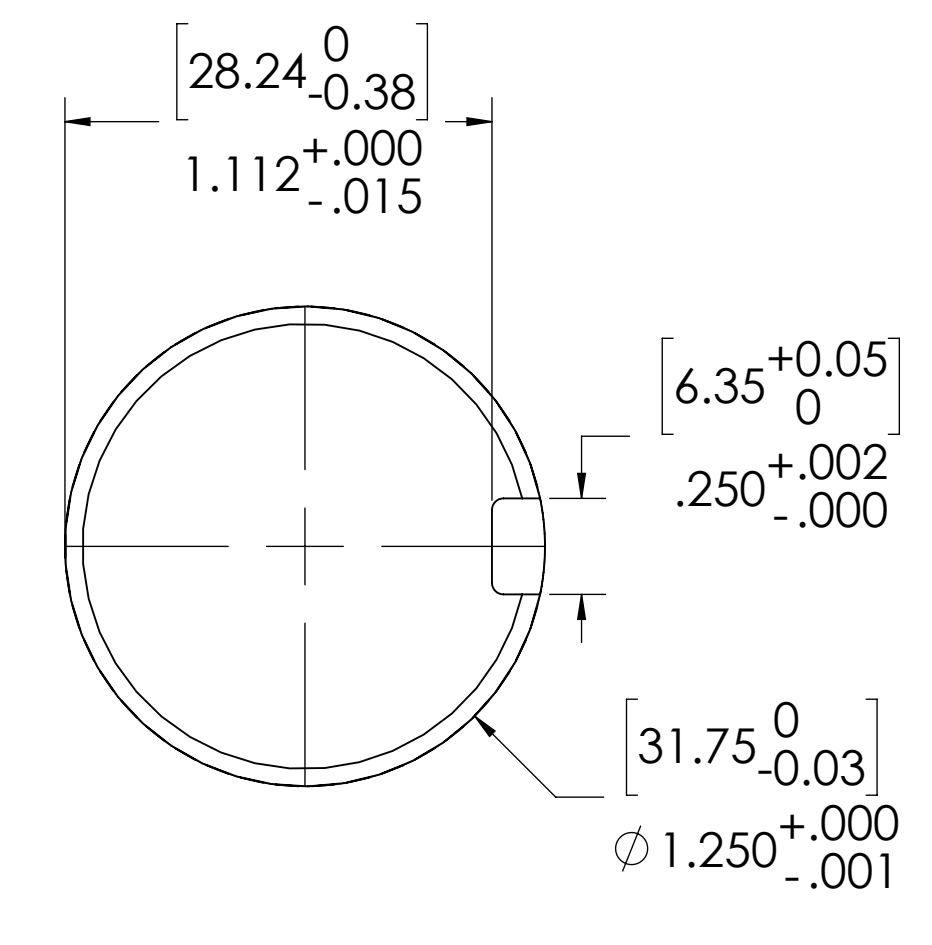
1/2-13 UNC - 2B ∇ .62 [15.75]
THIS IS A LIFTING HOLE FOR CYLINDER HEAD (MAINTENANCE) ONLY.
DO NOT USE THIS HOLE FOR LIFTING COMPRESSOR!

∇ ϕ 1.25 [31.75] ∇ .01
FLAT CREATED TO MOUNT ACCELEROMETER.
FLAT IS CENTERED ON LIFTING HOLE.

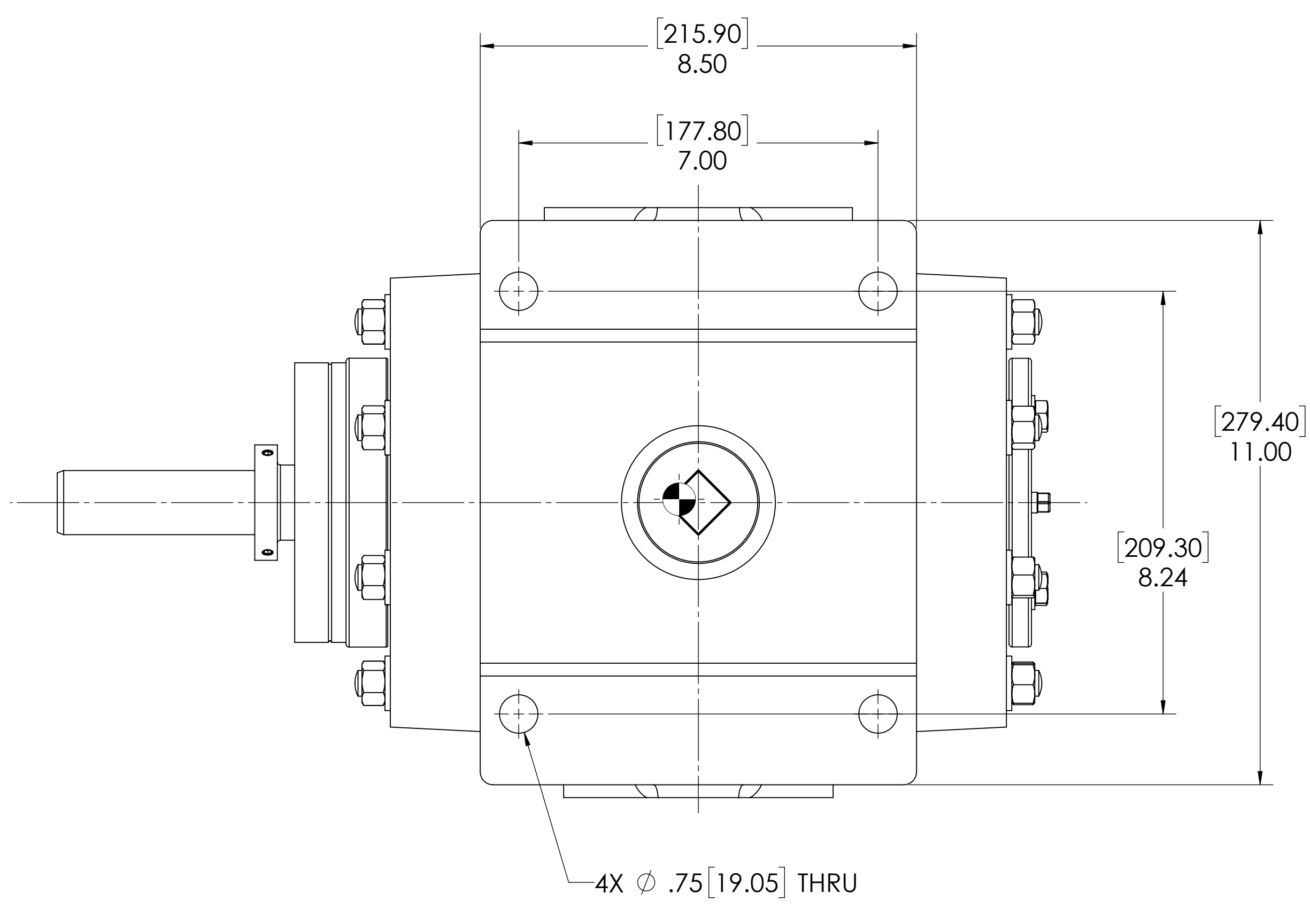
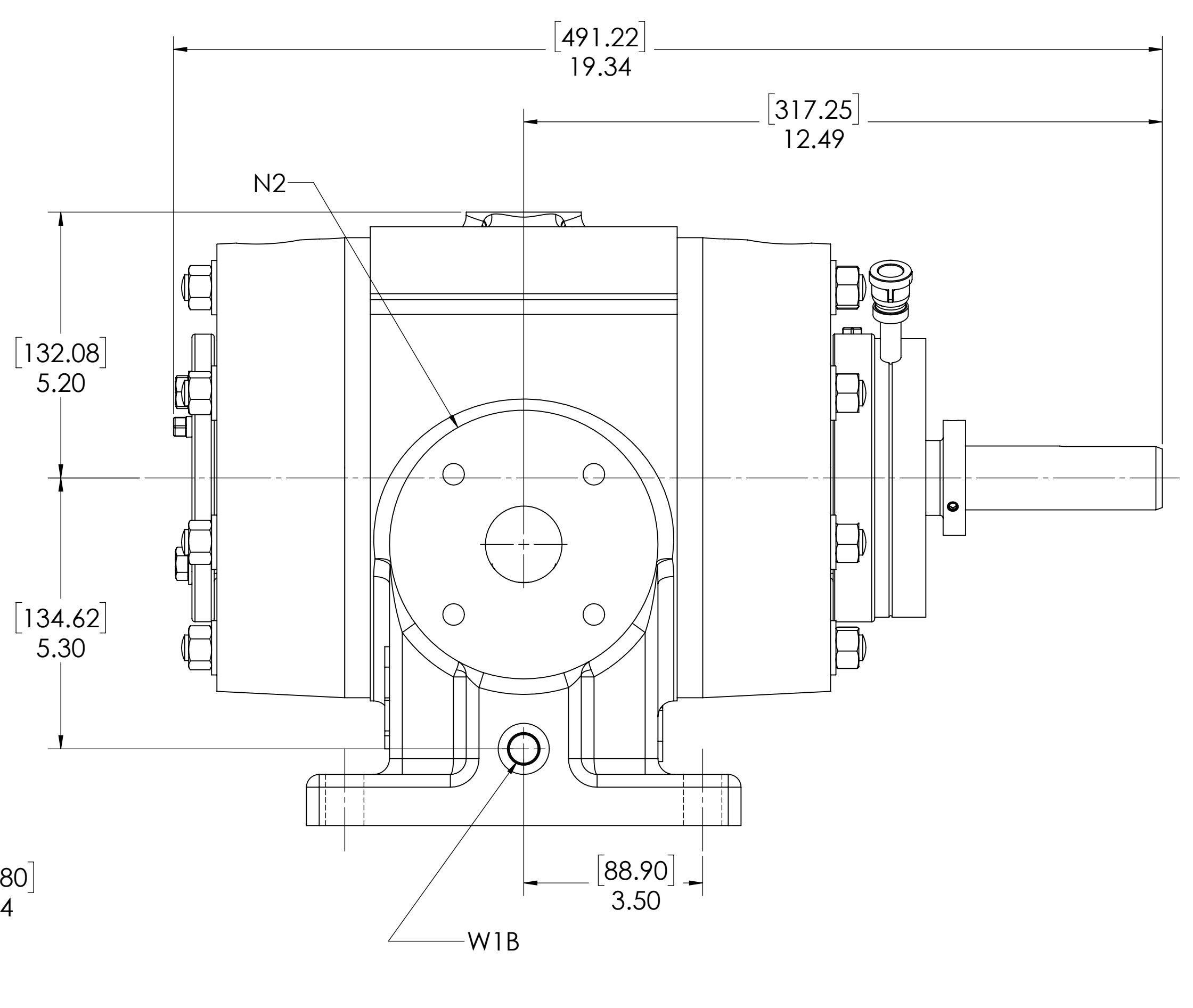
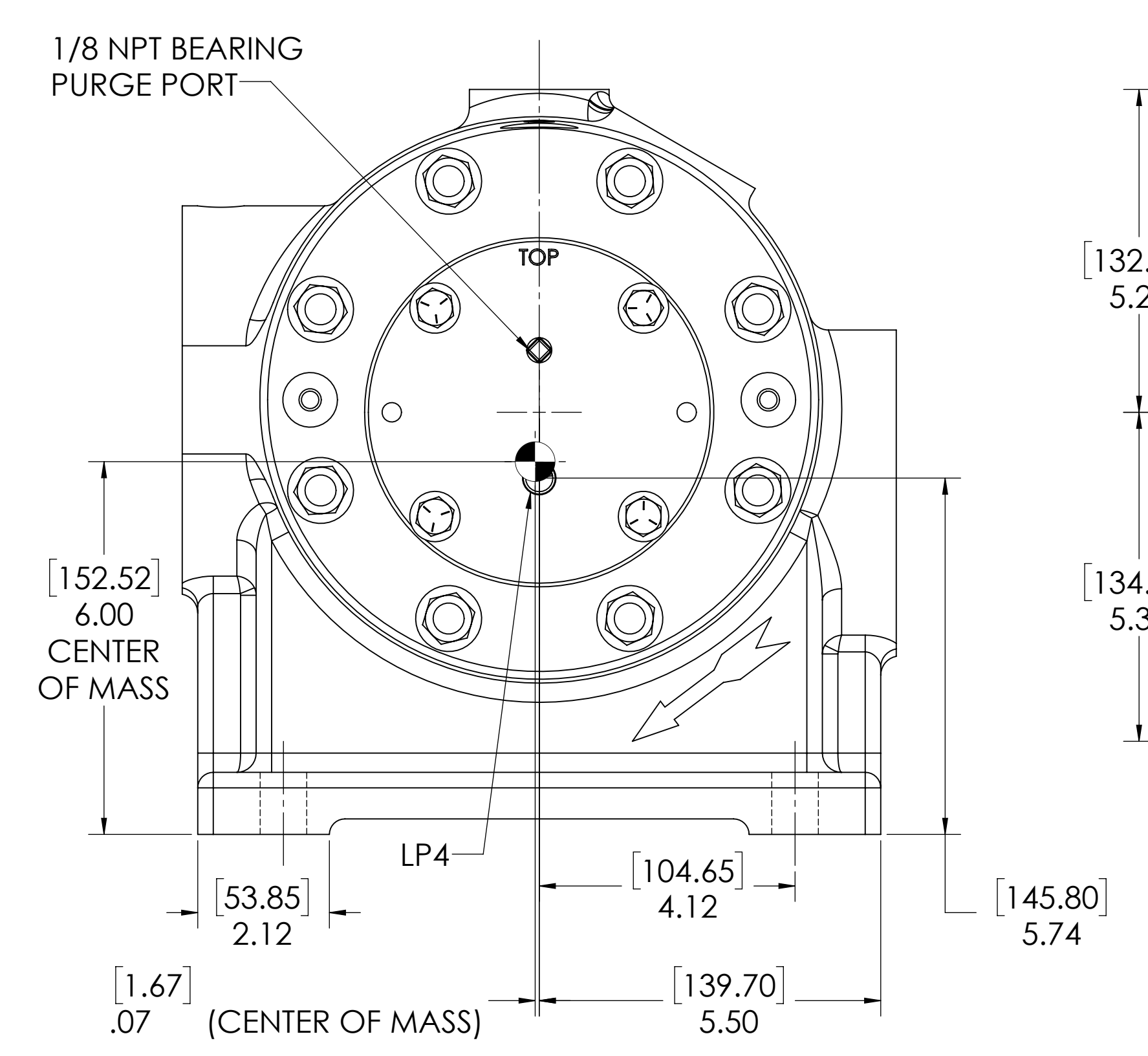
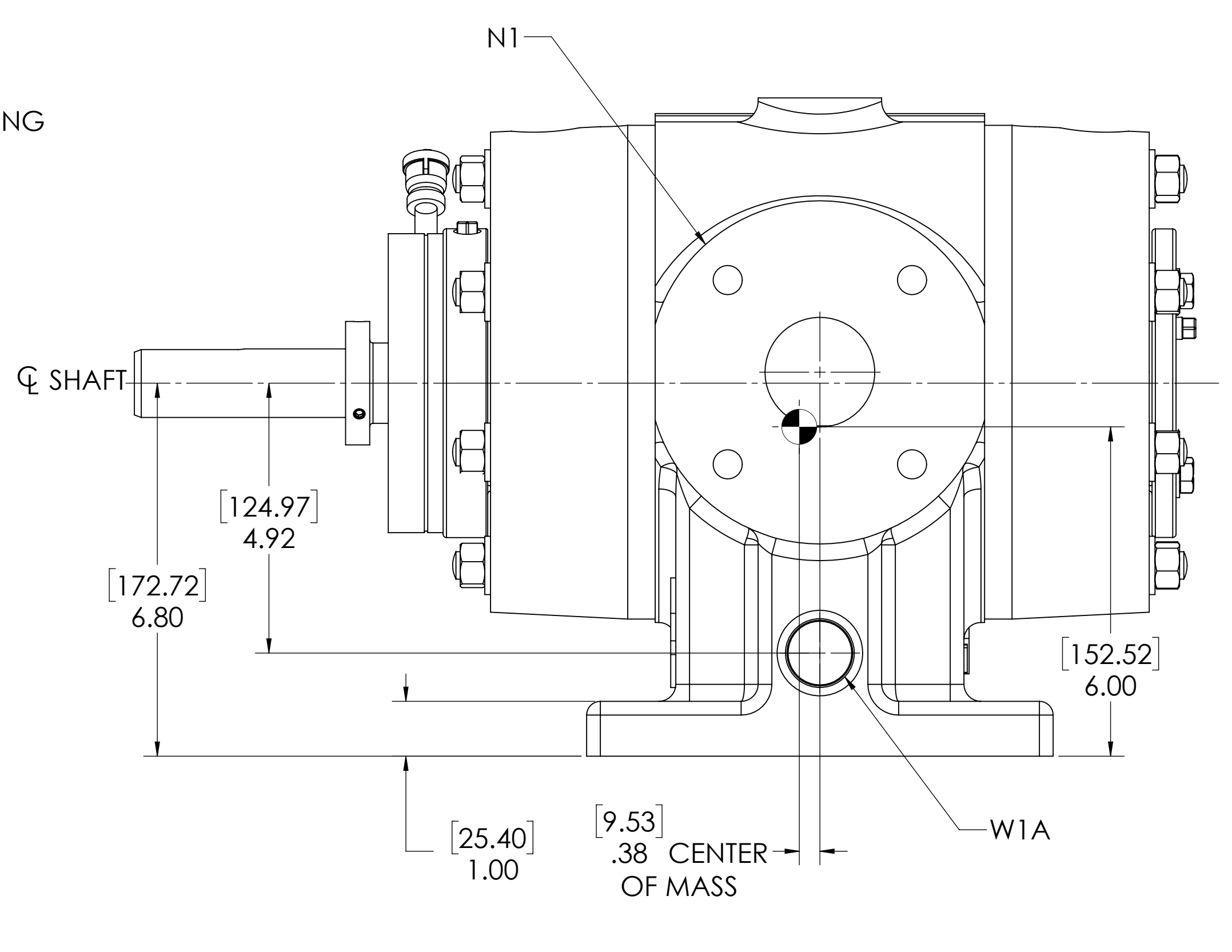
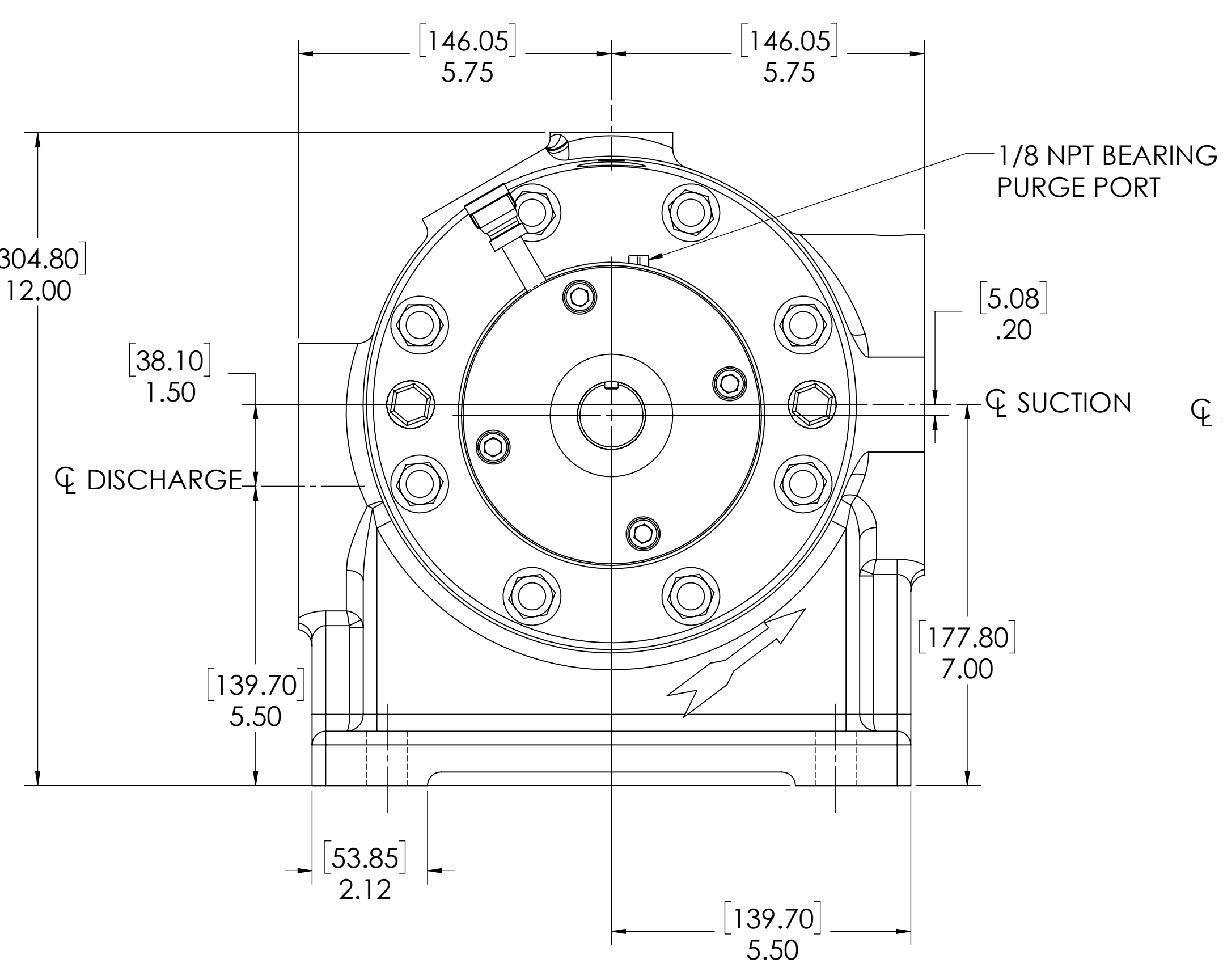
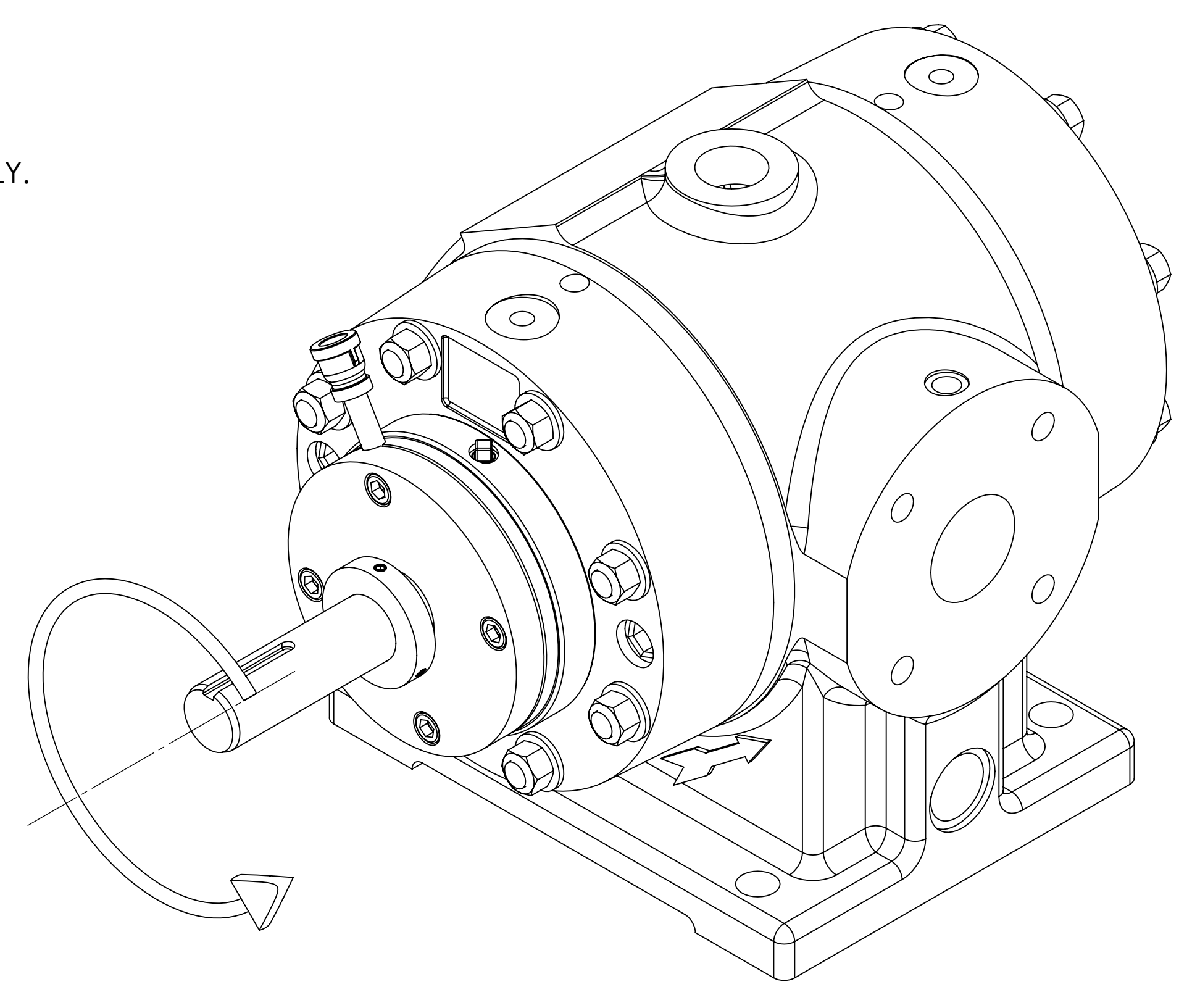
∇ ϕ 1.25 [31.75] ∇ .01
FLAT CREATED TO MOUNT ACCELEROMETER.
FLAT IS CENTERED ON LIFTING HOLE.

[104.65]
4.12 CLEARANCE REQUIRED
TO REMOVE CYLINDER HEAD
AND SEAL ADAPTER

[101.60]
4.00 CLEARANCE REQUIRED
TO REMOVE CYLINDER HEAD
AND END COVER AND TO REMOVE
ROTOR BLADES



DETAIL OF ROTOR
AND KEYWAY



	NOZZLE CONNECTIONS	BOLT HOLE SIZE
N1	2" GAS SUCTION FLANGE (ANSI CLASS 150 FLAT FACE)	4 x 5/8-11 ∇ 1.00
N2	1.50" GAS DISCHARGE FLANGE (ANSI CLASS 150 FLAT FACE)	4 x 1/2-13 ∇ .88
W1A	1 NPT(F) WATER INLET (SEE NOTE 2)	N/A
W1B	3/8 NPT(F) WATER INLET (SEE NOTE 2)	N/A
W2	1 NPT(F) WATER OUTLET	N/A

OIL CONNECTION POINTS SUMMARY		
(REFER TO MANUAL FOR FURTHER INFORMATION)		
DESCRIPTION	THREAD SIZE	QTY
LUBE QUILL (LQx)	1/4 NPT (F)	1
LUBE POINTS (LPx)	1/4 NPT (F)	4

- NOTES:
1. ∇ CENTER OF MASS DIMENSIONS ARE APPROXIMATE
 2. EITHER WATER INLET MAY BE USED, DEPENDING UPON SYSTEM NEEDS
 3. WEIGHT IS APPROXIMATE
 4. DRAWING IS DUAL DIMENSION. DIMENSIONS WITHOUT BRACKETS ARE IN INCHES, DIMENSIONS WITH [BRACKETS] ARE IN MILLIMETERS.

UNLESS OTHERWISE SPECIFIED: DIMENSIONS ARE IN INCHES TOLERANCES: ANGULAR: MACH 3 DEG CHAMFER: 1:50 HOLE: 1.50 PLATE: 1.50 RADIUS: 1.50	NAME: [REDACTED] DATE: 7/19/2018 DRAWN: [REDACTED] CHECKED: [REDACTED] ENG APPR: [REDACTED]	<p>Ro-Flo Compressors, LLC</p>
PROPERTY AND CONFIDENTIALITY NOTICE: THIS INFORMATION IS THE PROPERTY OF RO-FLO COMPRESSORS, LLC. IT IS TO BE USED ONLY FOR THE PURPOSES SPECIFIED IN THIS DRAWING. IT IS NOT TO BE REPRODUCED OR TRANSMITTED IN ANY FORM OR BY ANY MEANS, ELECTRONIC OR MECHANICAL, WITHOUT THE WRITTEN PERMISSION OF RO-FLO COMPRESSORS, LLC. IT IS PROHIBITED.	<p>GENERAL ARRANGEMENT, 2CC.Sf.CCW</p> <p>SIZE: PART NO. REV E 16-123-633-519 03</p>	<p>1 OF 1</p>