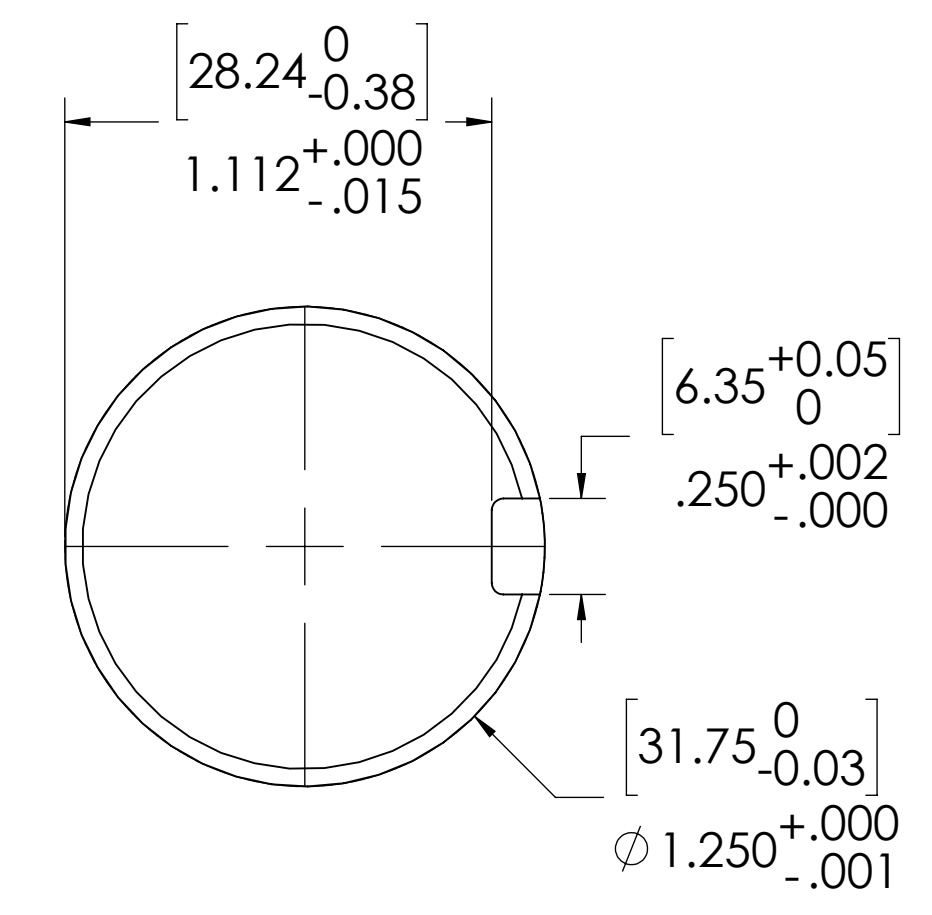


1/2-13 UNC - 2B  $\nabla$  .62 [15.75]  
THIS IS A LIFTING HOLE FOR CYLINDER HEAD (MAINTENANCE) ONLY.  
DO NOT USE THIS HOLE FOR LIFTING COMPRESSOR!

$\square$   $\phi$  1.25 [31.75]  $\nabla$  .01  
FLAT CREATED TO MOUNT ACCELEROMETER.  
FLAT IS CENTERED ON LIFTING HOLE.

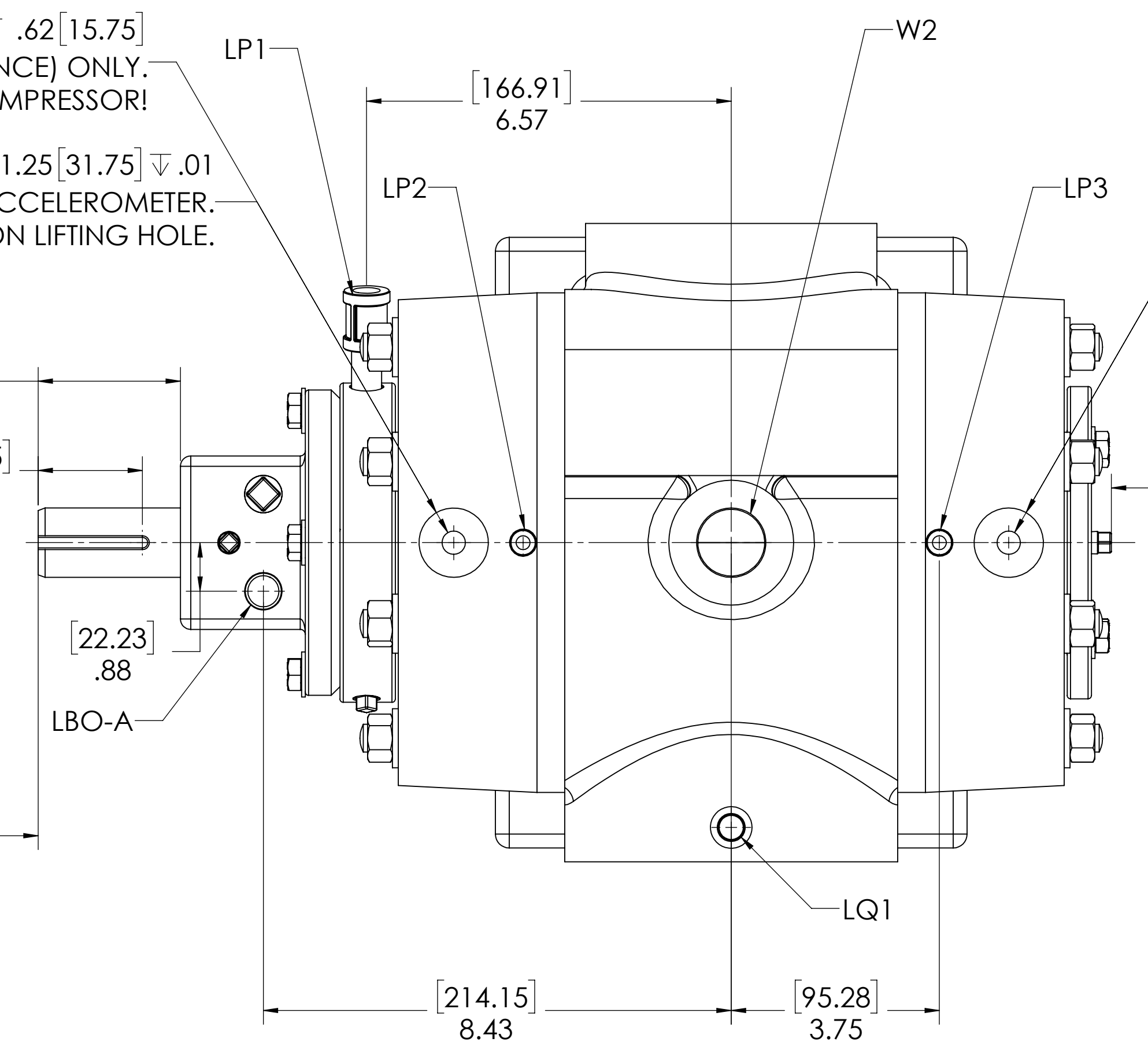
1/2-13 UNC - 2B  $\nabla$  .62 [15.75]  
THIS IS A LIFTING HOLE FOR CYLINDER HEAD (MAINTENANCE) ONLY.  
DO NOT USE THIS HOLE FOR LIFTING COMPRESSOR!

$\square$   $\phi$  1.25 [31.75]  $\nabla$  .01  
FLAT CREATED TO MOUNT ACCELEROMETER.  
FLAT IS CENTERED ON LIFTING HOLE.

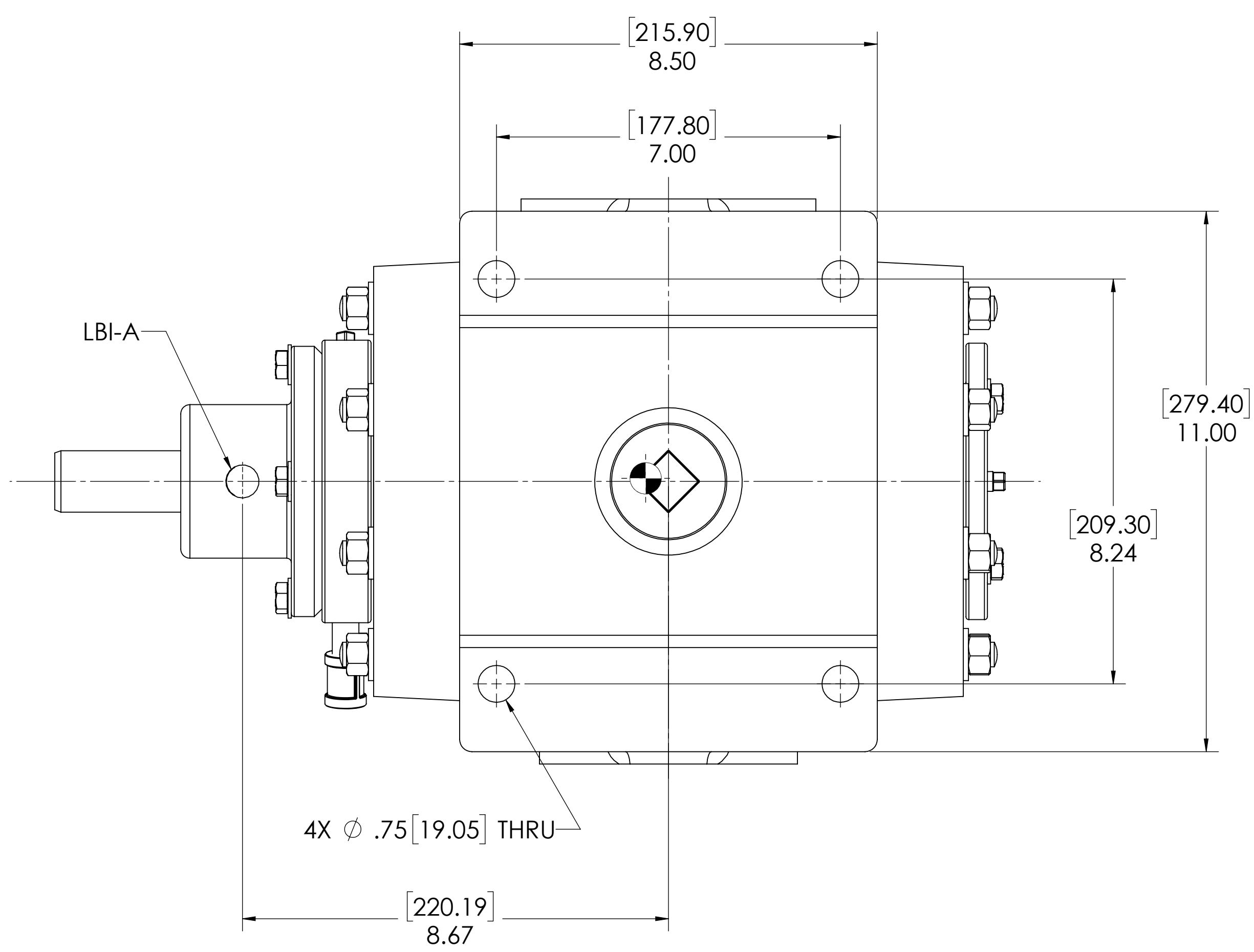
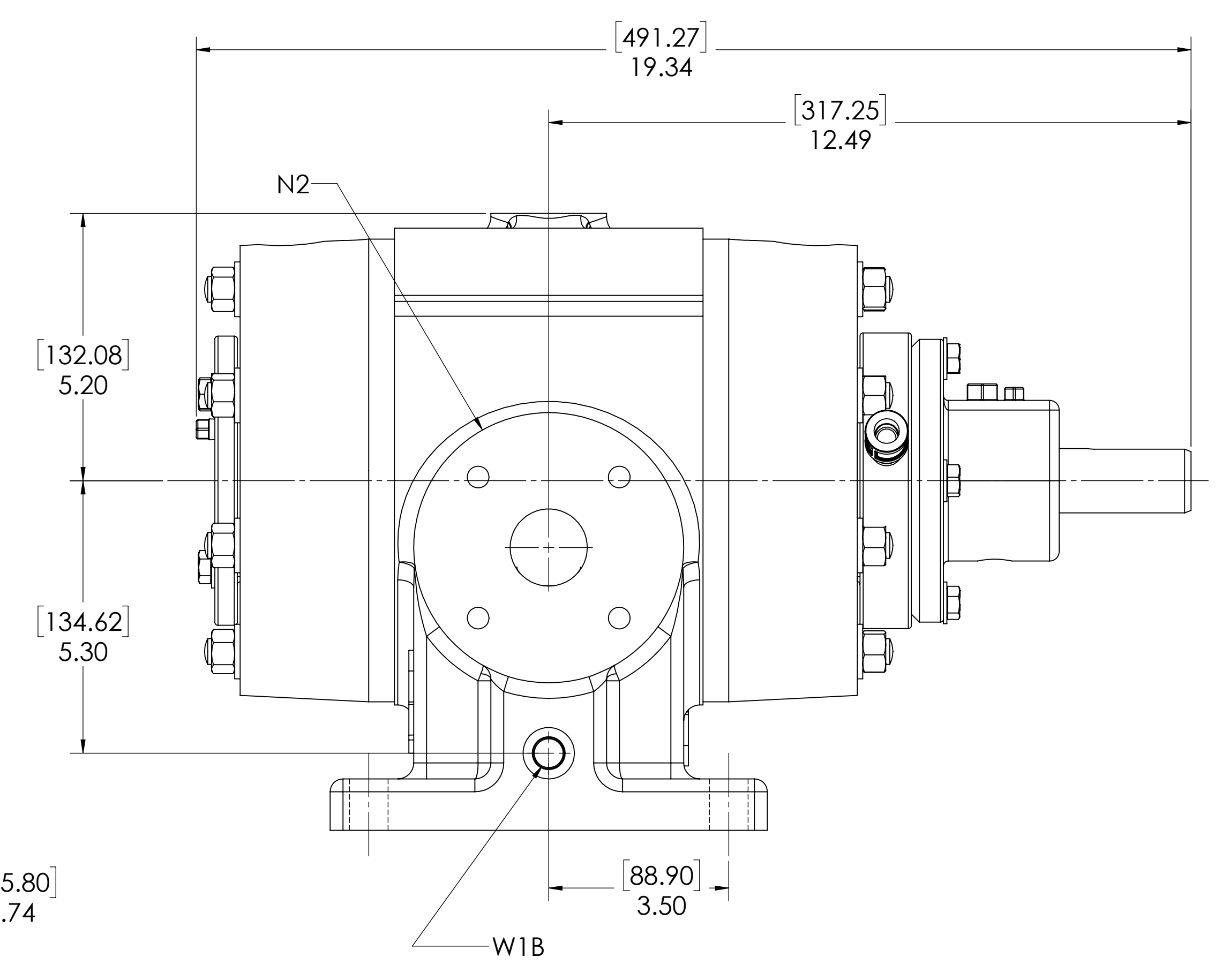
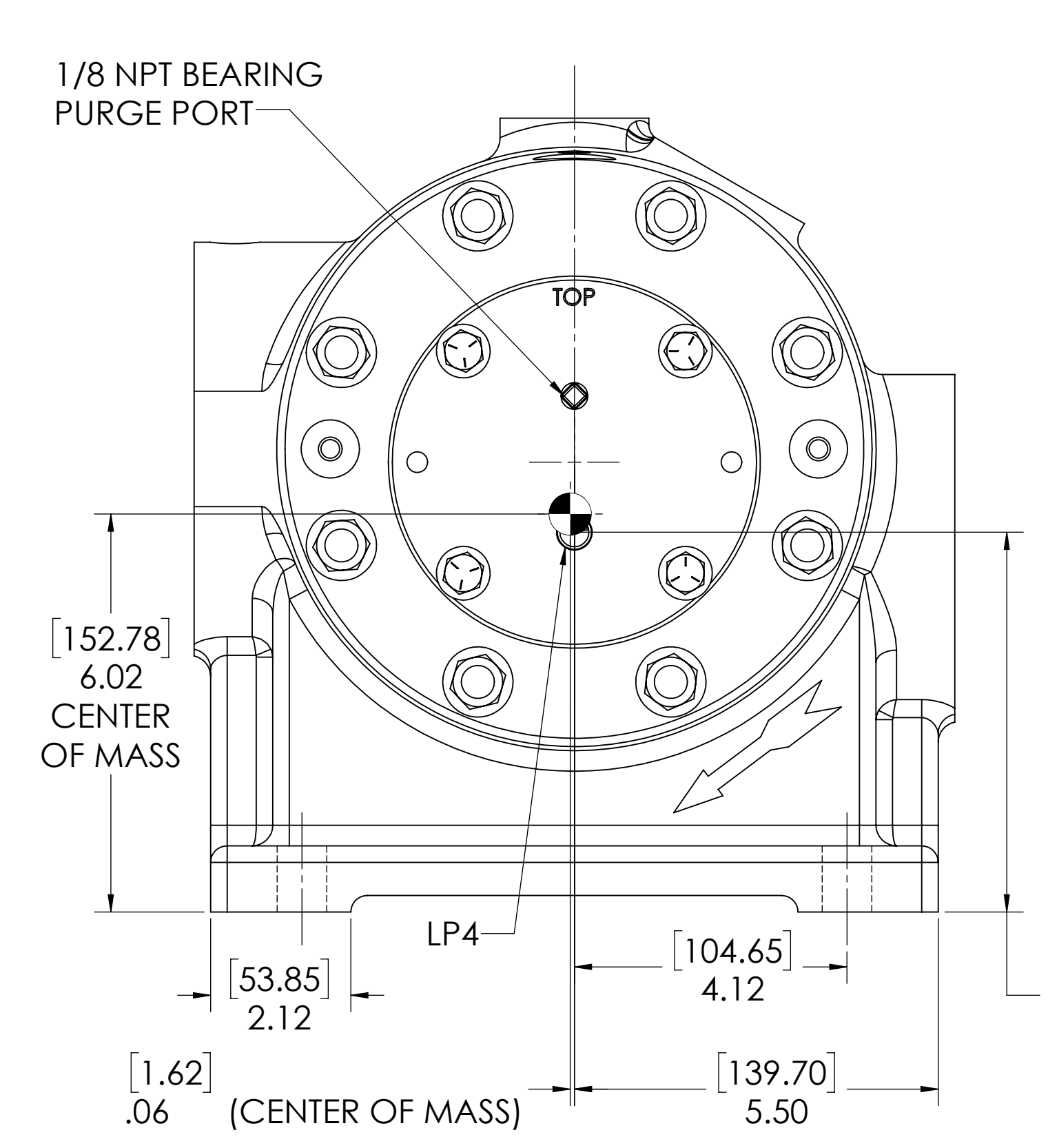
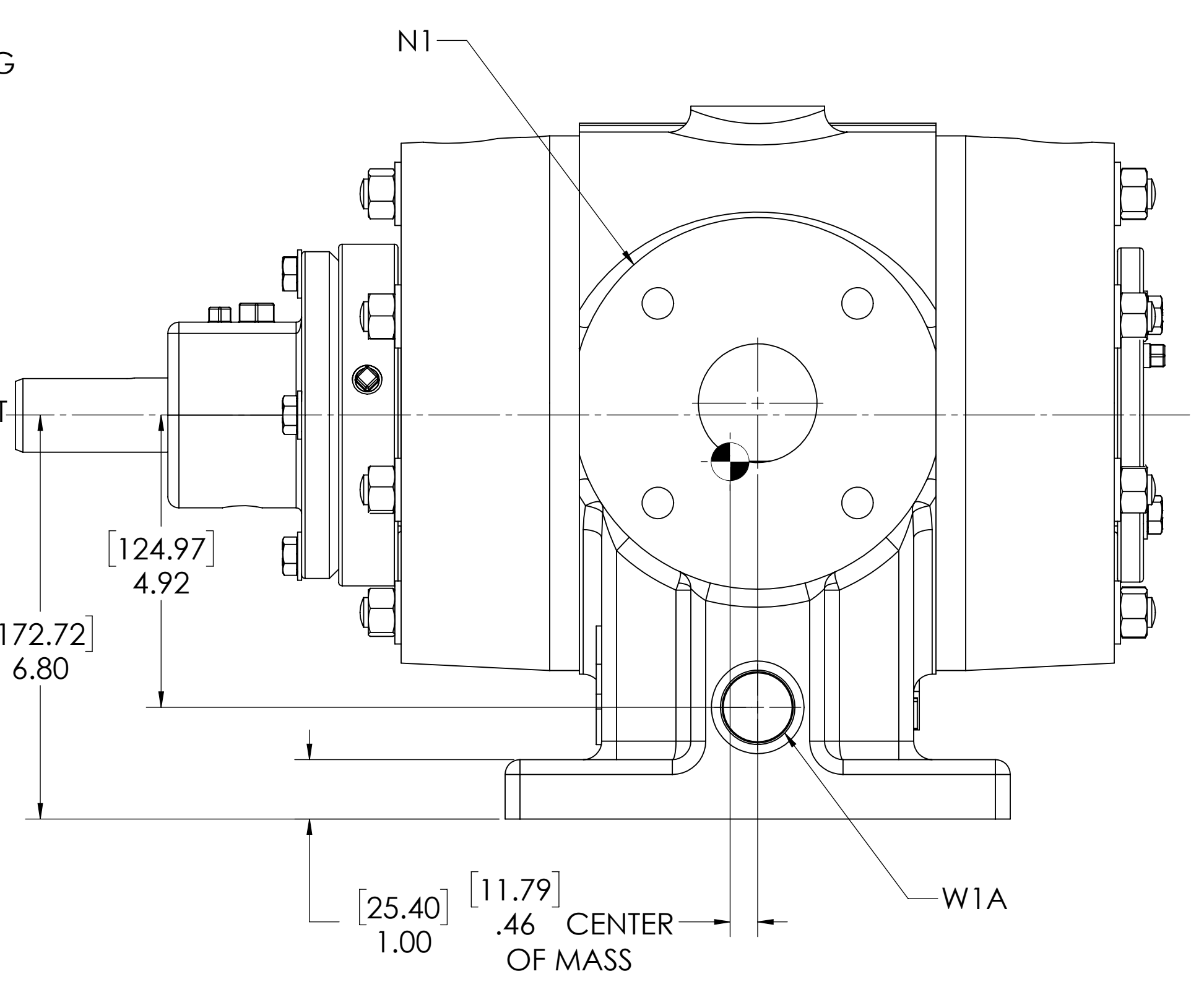
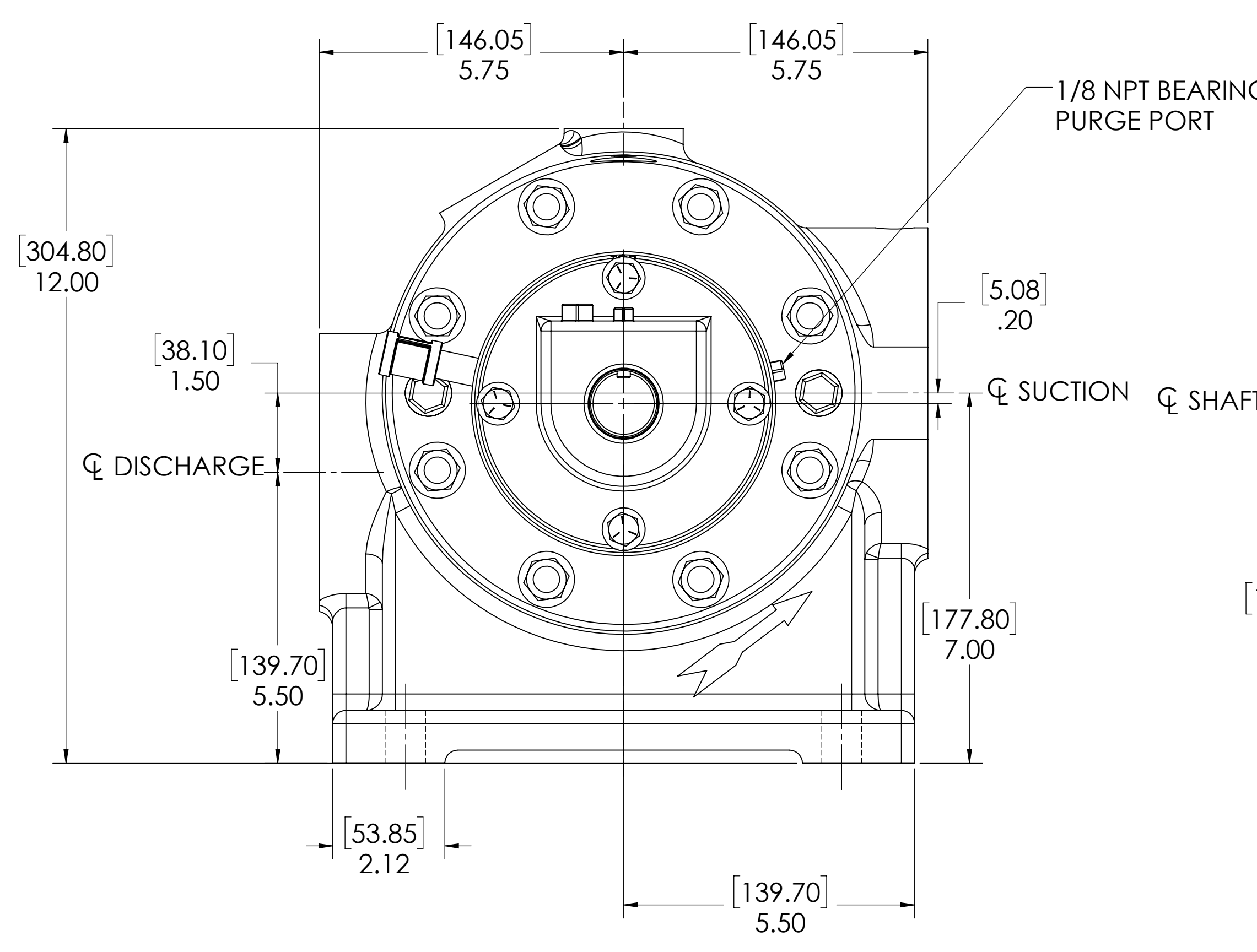
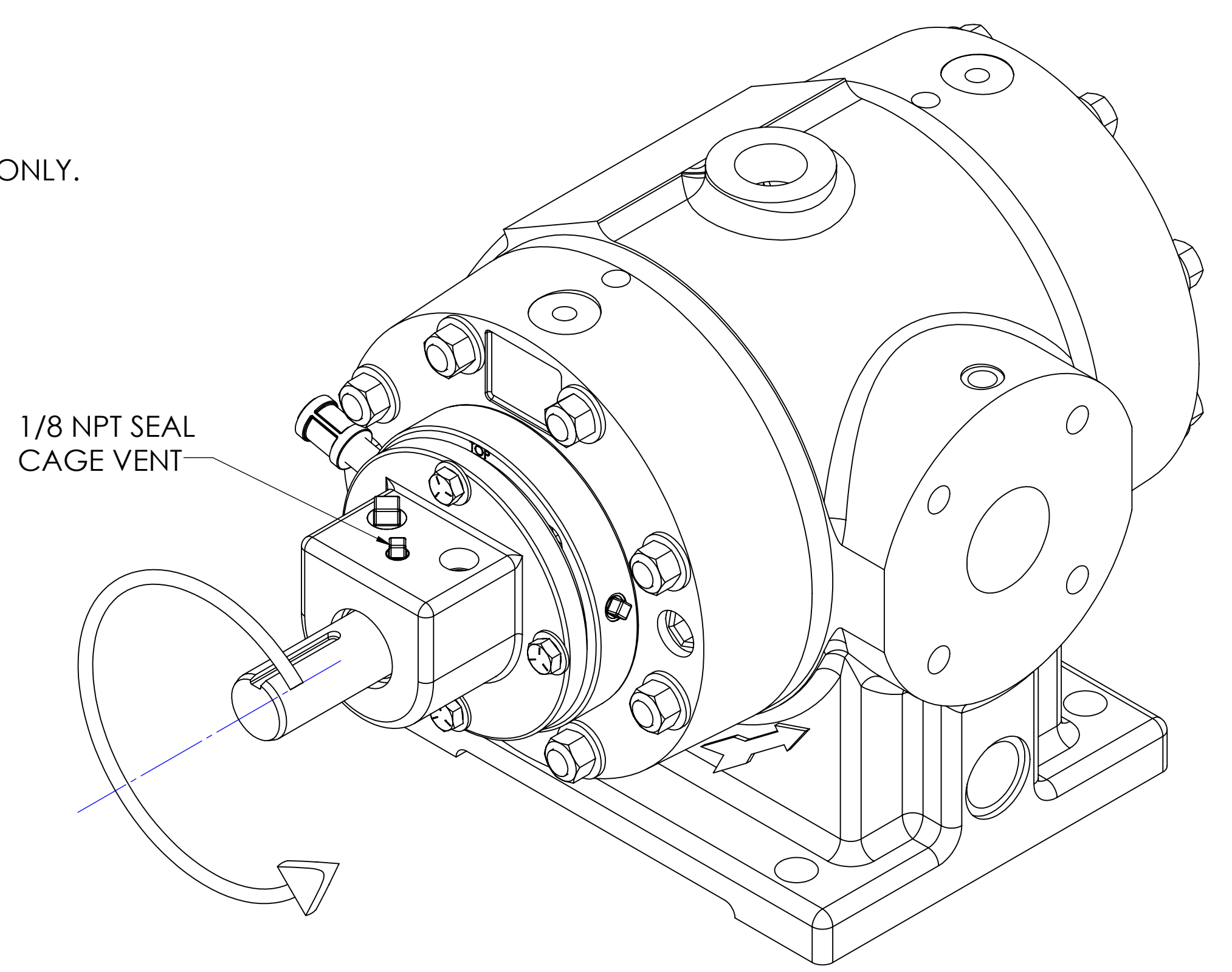


DETAIL OF ROTOR AND KEYWAY

[119.13] 4.69 CLEARANCE REQUIRED TO REMOVE CYLINDER HEAD, SEAL ADAPTER AND ROTOR BLADES



[101.60] 4.00 CLEARANCE REQUIRED TO REMOVE CYLINDER HEAD, END COVER AND ROTOR BLADES



	NOZZLE CONNECTIONS	BOLT HOLE SIZE
N1	2" GAS SUCTION FLANGE (ANSI CLASS 150 FLAT FACE)	4 x 5/8-11 $\nabla$ 1.00
N2	1.50" GAS DISCHARGE FLANGE (ANSI CLASS 150 FLAT FACE)	4 x 1/2-13 $\nabla$ .88
W1A	1 NPT(F) WATER INLET (SEE NOTE 2)	N/A
W1B	3/8 NPT(F) WATER INLET (SEE NOTE 2)	N/A
W2	1 NPT(F) WATER OUTLET	N/A

OIL CONNECTION POINTS SUMMARY		
(REFER TO MANUAL FOR FURTHER INFORMATION)		
DESCRIPTION	THREAD SIZE	QTY
LUBE QUILL (LQx)	1/4 NPT (F)	1
LUBE POINTS(LPx)	1/4 NPT (F)	4
SEAL SUPPLY (LBI-A)	3/8 NPT (F)	1
SEAL RETURN (LBO-A)	3/8 NPT (F)	1

- NOTES:
1.  $\phi$  CENTER OF MASS DIMENSIONS ARE APPROXIMATE
  2. EITHER WATER INLET MAY BE USED, DEPENDING UPON SYSTEM NEEDS
  3. WEIGHT IS APPROXIMATE
  4. DRAWING IS DUAL DIMENSION. DIMENSIONS WITHOUT BRACKETS ARE IN INCHES, DIMENSIONS WITH [BRACKETS] ARE IN MILLIMETERS.

UNLESS OTHERWISE SPECIFIED, DIMENSIONS ARE IN INCHES, TOLERANCES:

ANGULAR	MACH 2 DEG	DATE	1/8/2020
CHEMICAL	AS SHOWN	DRAWN	TRF
FINISH	AS SHOWN	CHECKED	TRF
THREADS	AS SHOWN	ENG APPR	TRF
WELDING	AS SHOWN	DATE	1/8/2020

PROPERTY AND CONFIDENTIAL

Ro-Flo COMPRESSORS

GENERAL ARRANGEMENT, 2CC,DBS,CCW

16-123-633-419 05

SCALE: 1:2 220 LBS 1 OF 1