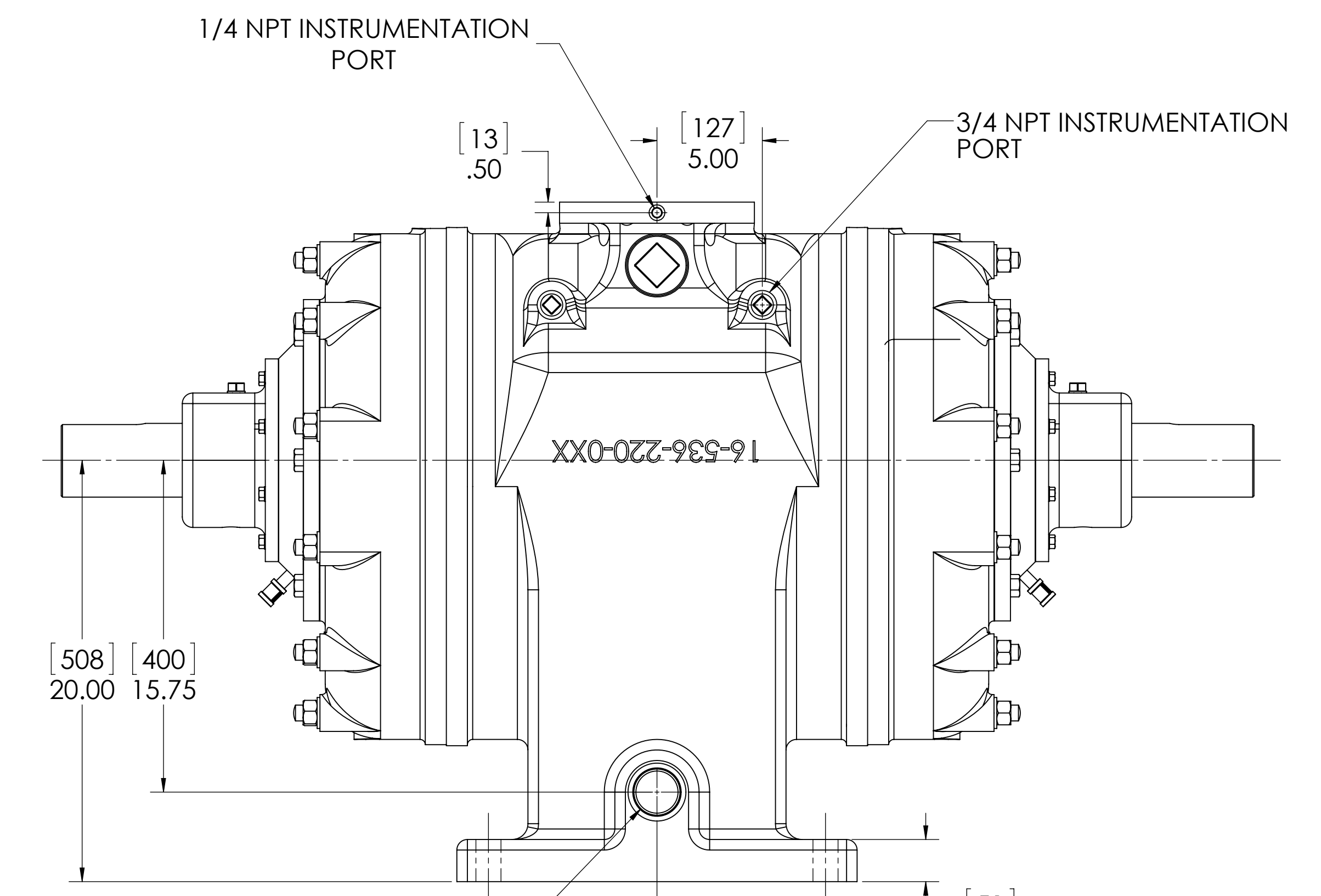
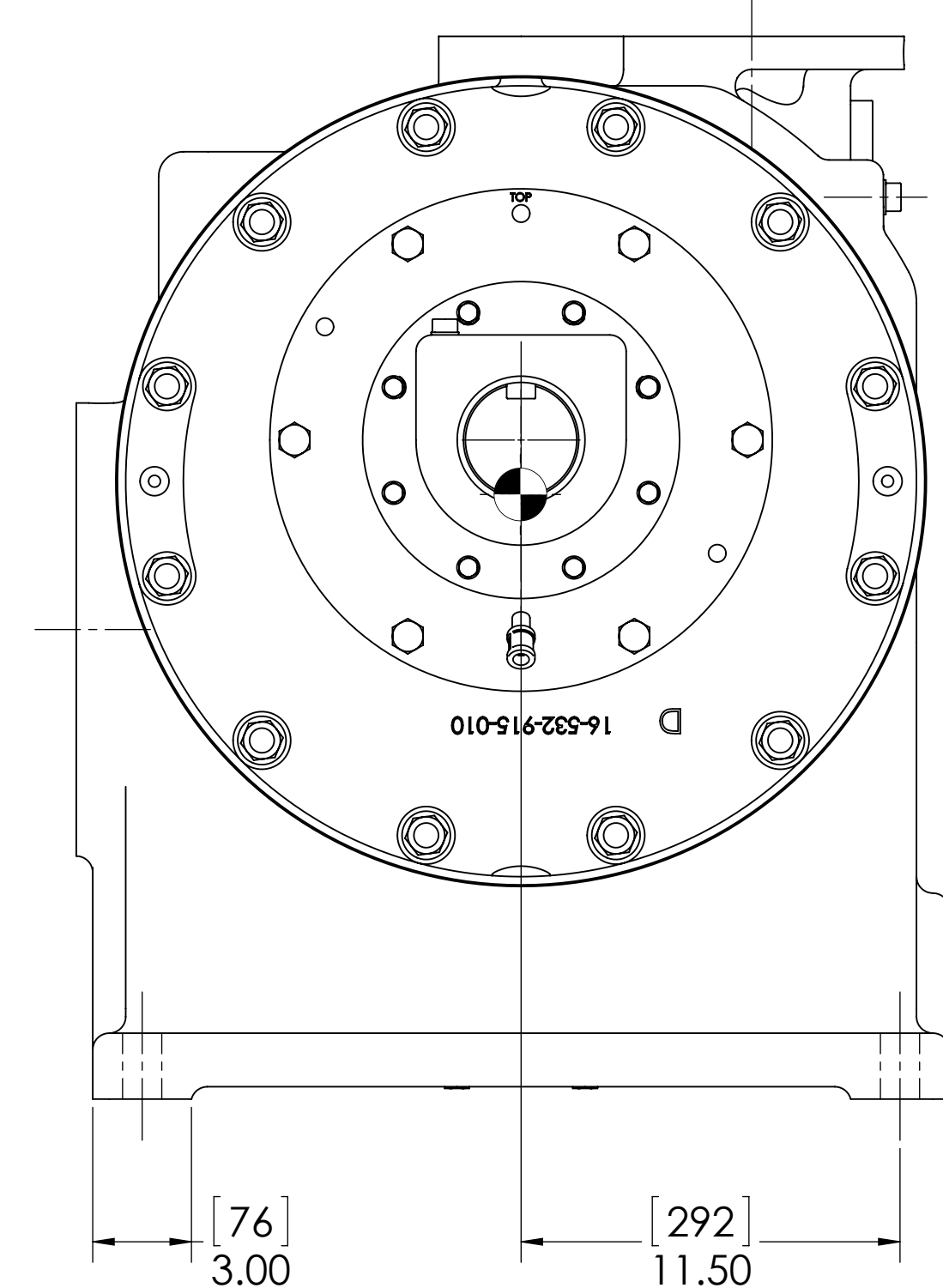
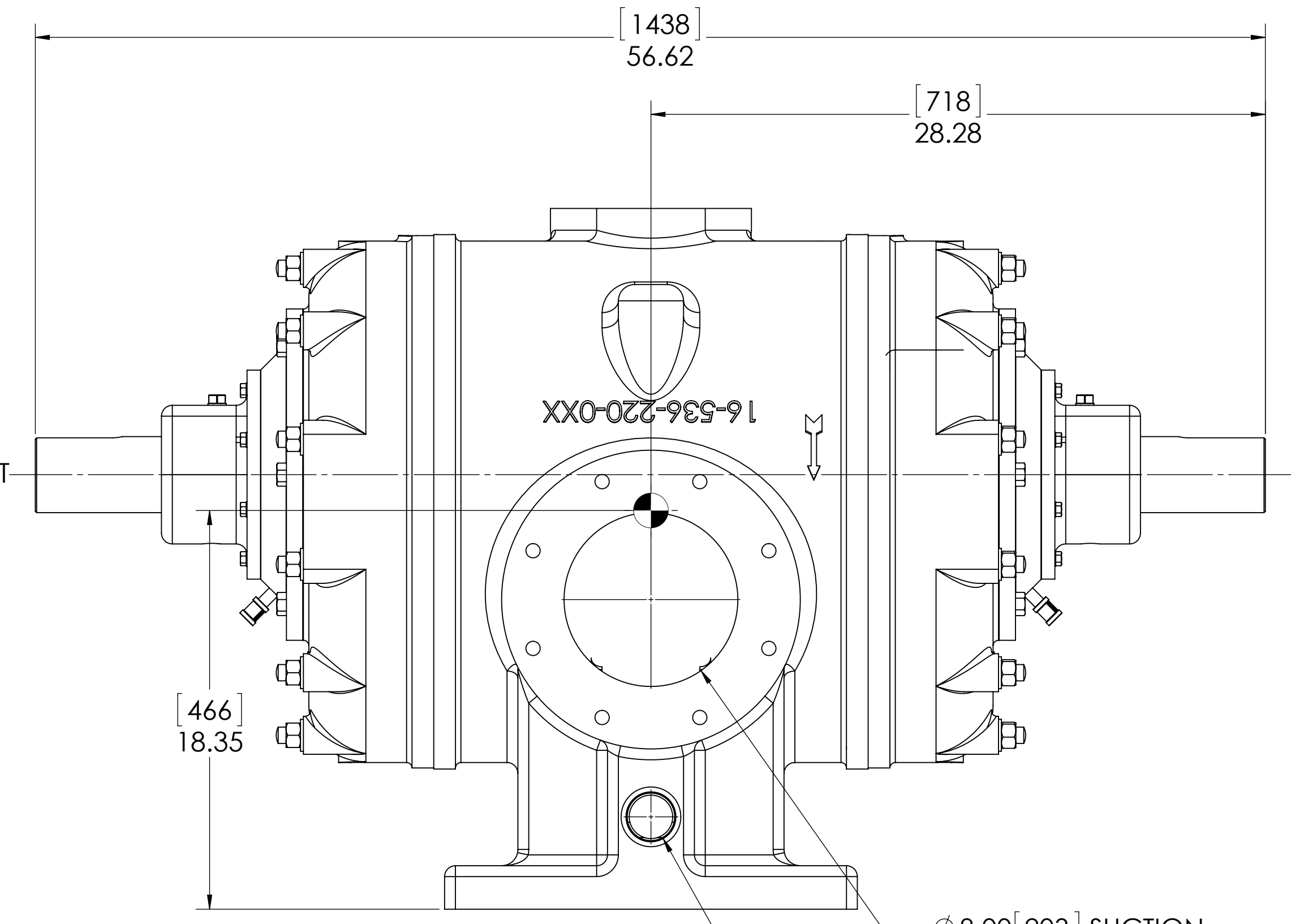
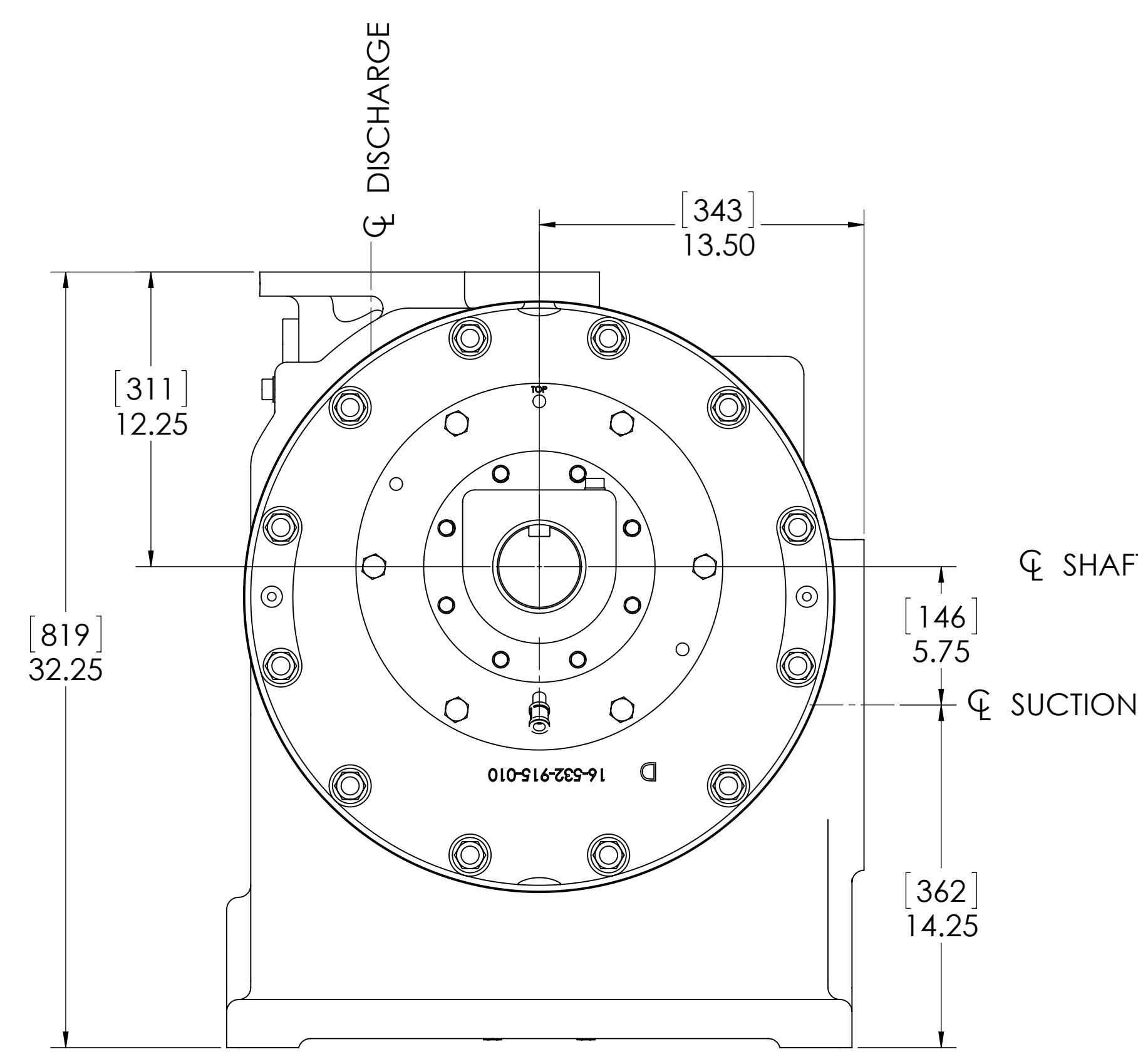
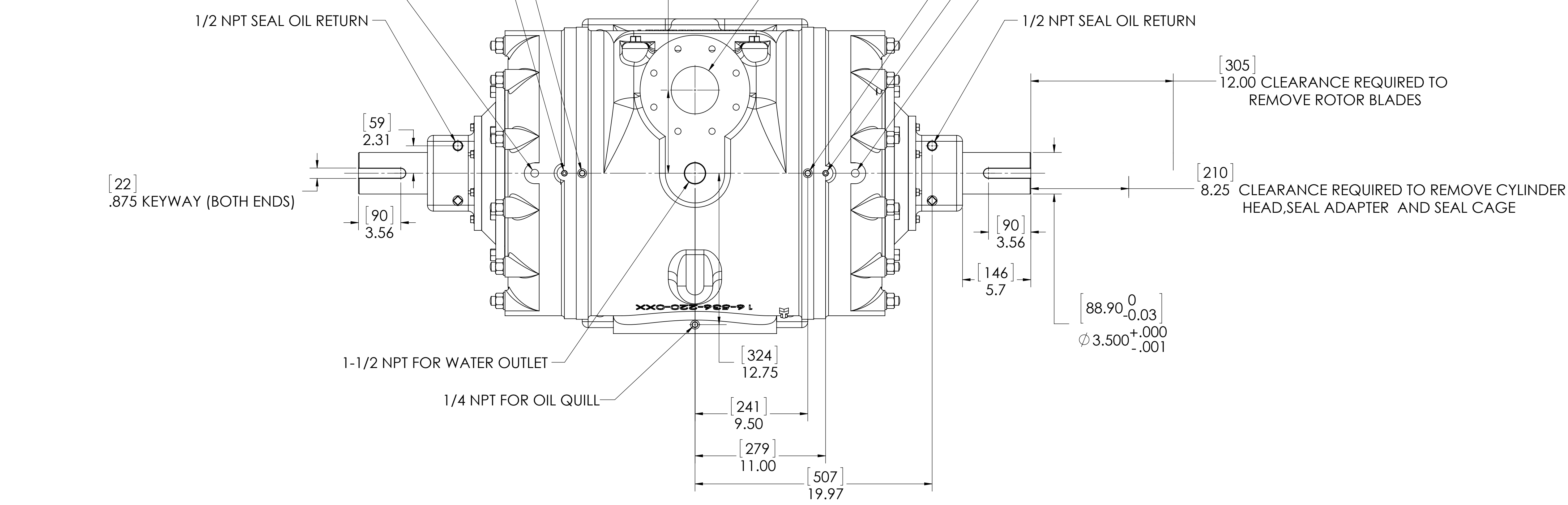
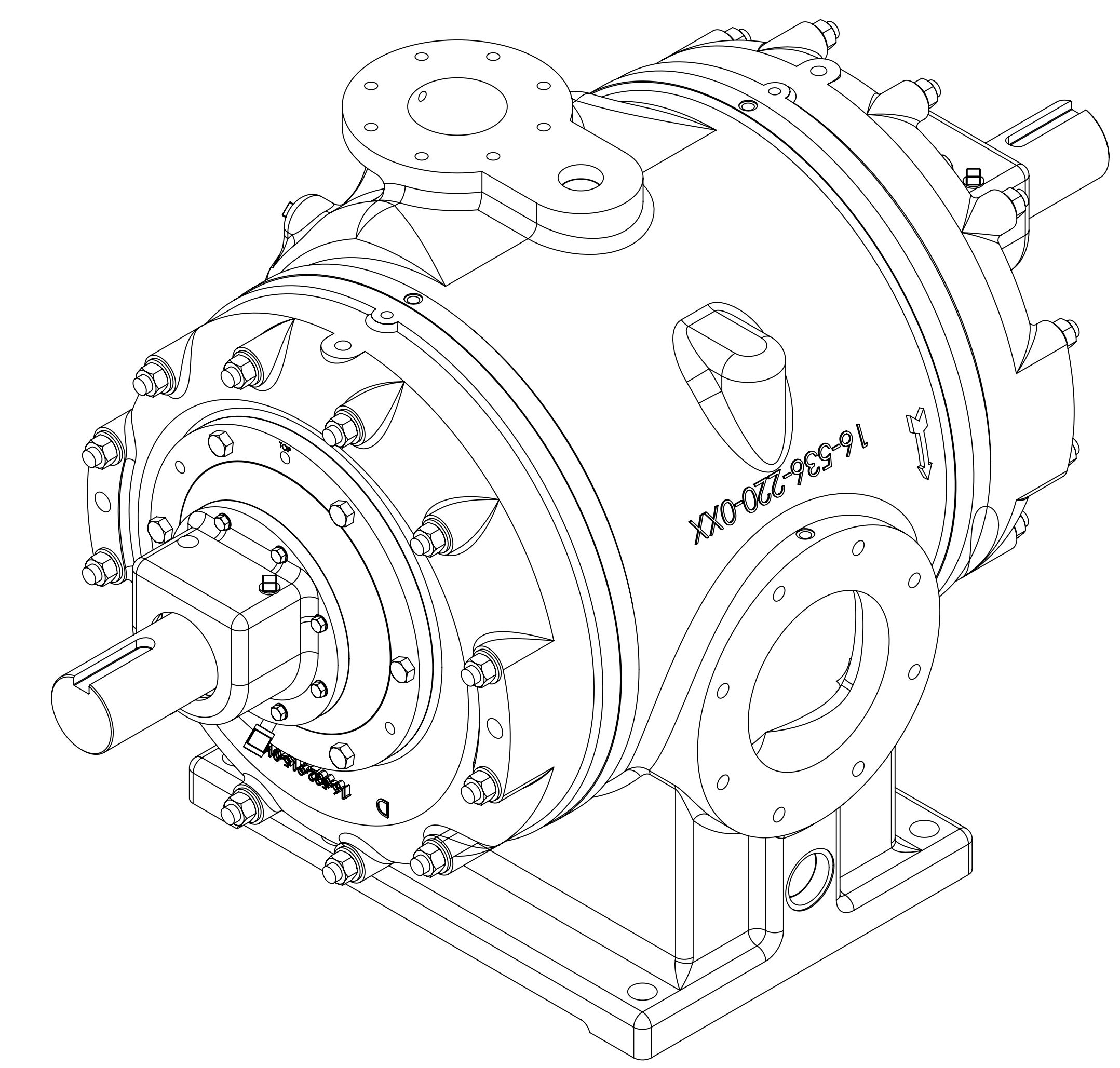


THIS IS A LIFTING HOLE FOR CYLINDER HEAD (MAINTENANCE) ONLY.
DO NOT USE THIS HOLE FOR LIFTING COMPRESSOR!

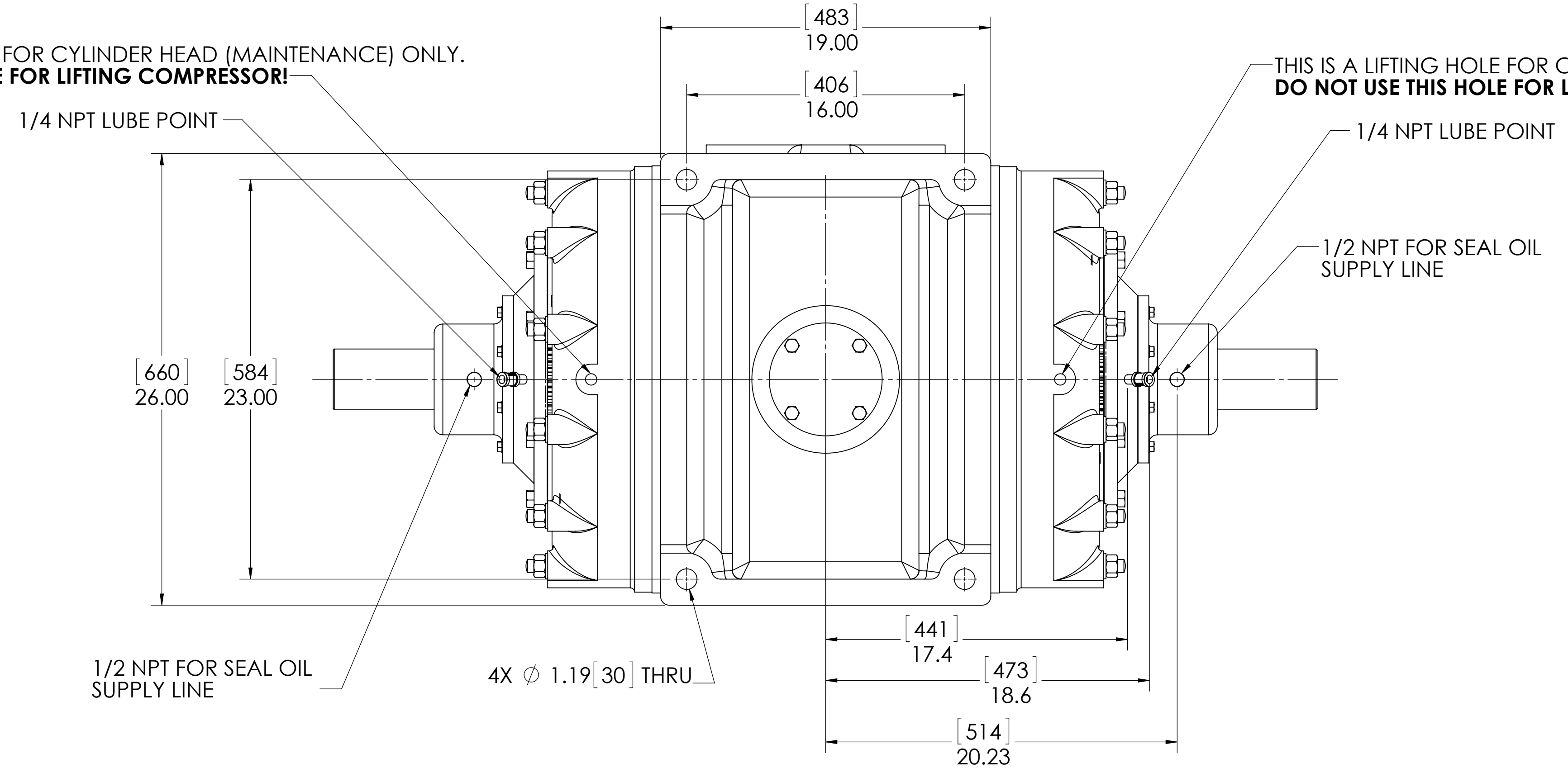
THIS IS A LIFTING HOLE FOR CYLINDER HEAD (MAINTENANCE) ONLY.
DO NOT USE THIS HOLE FOR LIFTING COMPRESSOR!



USE EITHER CONNECTION TO SUIT

THIS IS A LIFTING HOLE FOR CYLINDER HEAD (MAINTENANCE) ONLY.
DO NOT USE THIS HOLE FOR LIFTING COMPRESSOR!

THIS IS A LIFTING HOLE FOR CYLINDER HEAD (MAINTENANCE) ONLY.
DO NOT USE THIS HOLE FOR LIFTING COMPRESSOR!



NOTES:

1. CENTER OF MASS DIMENSIONS ARE APPROXIMATE
2. EITHER WATER INLET MAY BE USED, DEPENDING UPON SYSTEM NEEDS
3. WEIGHT IS APPROXIMATE
4. USE SEAL OIL RETURN PORTS AS SHOWN IN TOP VIEW

OIL CONNECTION POINTS SUMMARY		
(REFER TO MANUAL FOR FURTHER INFORMATION)		
DESCRIPTION	THREAD SIZE	QTY
OIL QUILL	1/4 NPT	1
LUBE POINTS	1/4 NPT	6
SEAL SUPPLY	1/2 NPT	2
SEAL RETURN (SEE NOTE 4)	1/2 NPT	4 (ONLY USE 2)

UNLESS OTHERWISE SPECIFIED: DIMENSIONS ARE IN INCHES TOLERANCES: ANGULAR: MACH 2 DEG DIMENSIONS: DECIMAL: 1/16 HOLE PLACES DECIMAL: 1/32 HOLE PLACES DECIMAL: 1/32	PROPERTY AND CONVENTIONS: INTERIOR GEOMETRIC DIMENSIONS PER: ASH DIMENSIONS: PROVIDED UNLESS NOTED:	DATE: 3/11/2014 DRAWN: TSS CHECKED: TSS ENG APPR: TSS DATE: 3/11/2014	<p>Ro-Flo Compressors, LLC GENERAL ARRANGEMENT.219M.DBS</p>
<small>THE INFORMATION CONTAINED IN THIS DRAWING IS THE SOLE PROPERTY OF RO-FLO COMPRESSORS, LLC. ANY REPRODUCTION IN PART OR AS A WHOLE WITHOUT THE WRITTEN PERMISSION OF RO-FLO COMPRESSORS, LLC IS PROHIBITED.</small>			<p>SIZE: PART NO.: REV: 1:5 16-123-618-401 08</p> <p>2925# 1 of 1</p>