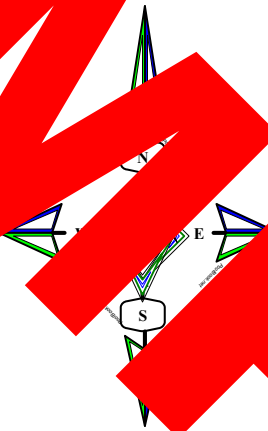


# SAMPLE PLAN

## 8'-0" x 43'-0" POOL & SPA

Area	405 sq.ft	37.63 sq. m
Perimeter	115 ft.	35.05m
Gallons	12,000	45,424 Liters
Depth	3'-0" to 5'-0"	0.91m to 1.52m

2.44m x 3.11m

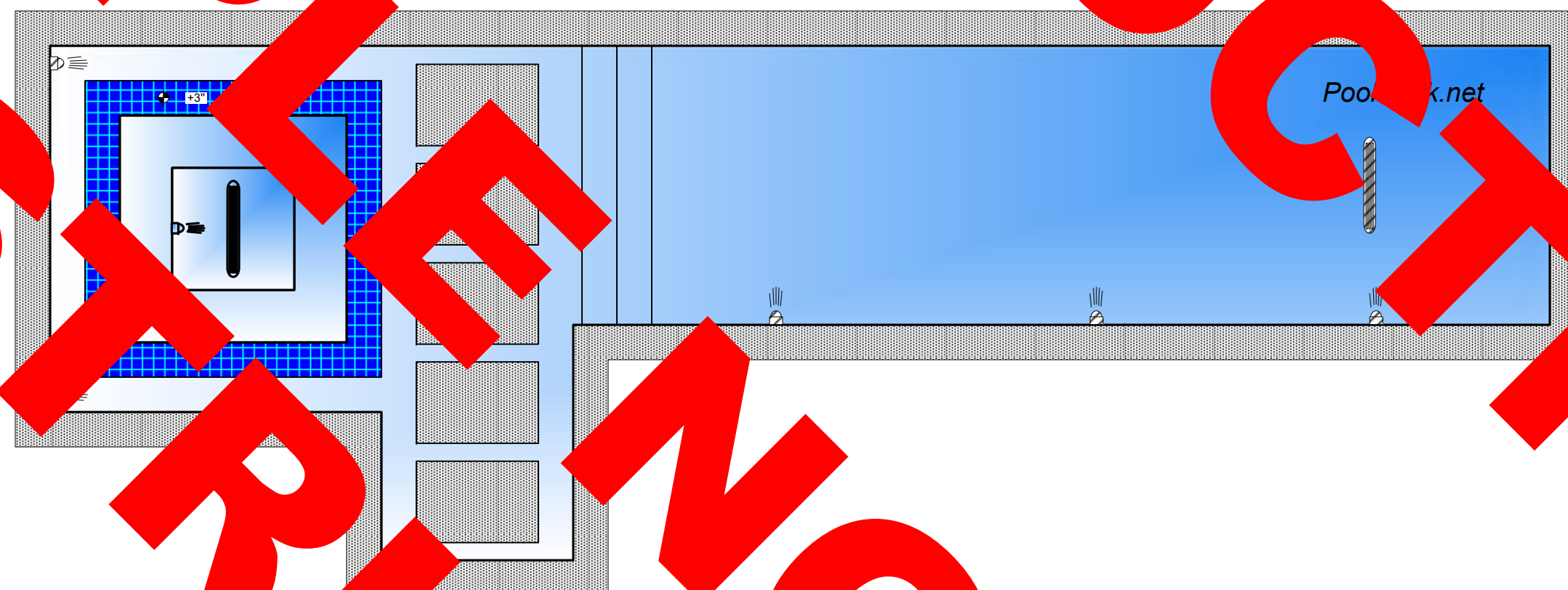


**FEATURES:**

- \*CUSTOM DESIGN\*
- LAP POOL
- PERIMETER OVERLAYS
- DECK LEVEL STEP

### SAMPLE PLAN

### BRANDY



- DESIGN
- LAYOUT
- PIPING
- STRUCTURAL
- ELECTRICAL
- SPECIFICATIONS
- DETAILS
- EQUIPMENT

GENERAL NOTES:

DESIGNED TO GUIDE AND ASSIST SWIMMING POOL CONSTRUCTION BY AN ENGINEERING COMPANY W/ 50 YEARS OF EXPERIENCE IN THE SWIMMING POOL INDUSTRY

THIS PLAN MAY REQUIRE MODIFICATIONS DUE TO SOIL CONDITIONS, SLOPES, RETAINING WALLS, ADJACENT STRUCTURES, LOCATION AND FEATURES

NOTE; SOME INSTALLATIONS MAY REQUIRE A SITE SPECIFIC SITE PLAN AND A SEAL BY A PROFESSIONAL ENGINEER.

NOTE:  
INSTALLATION IS TO BE DONE IN ACCORDANCE WITH ALL FEDERAL, STATE AND LOCAL BUILDING CODES INCLUDING ANSI/NSPI 3, ANSI/NSPI 5, ANSI/APSP 7, ANSI/APSP/ICC 15

PLANS ARE FOR GUNITE, SHOTCRETE, & CONCRETE SWIMMING POOLS

THIS POOL PLAN IS FOR THE SOLE USE OF THE PURCHASER AND IS NOT TO BE REPRODUCED OR RESOLD WITHOUT PERMISSION OF POOLBOOK.NET

DESCRIPTION

SCALE 1/4 inch = 1 foot.  
18" x 24" PAPER

DATE

2/26/2021

DESIGN

# SAMPLE PLAN

## 8'-0" x 43'-0" POOL & SPA

4m x 13.11m

Area	405 sq.ft	37.63 sq. m
Perimeter	115 ft.	35.05m
Gallons	12,000	45,424 Liters
Depth	3'-0" to 5'-0"	0.91m to 1.52m

**FEATURES:**

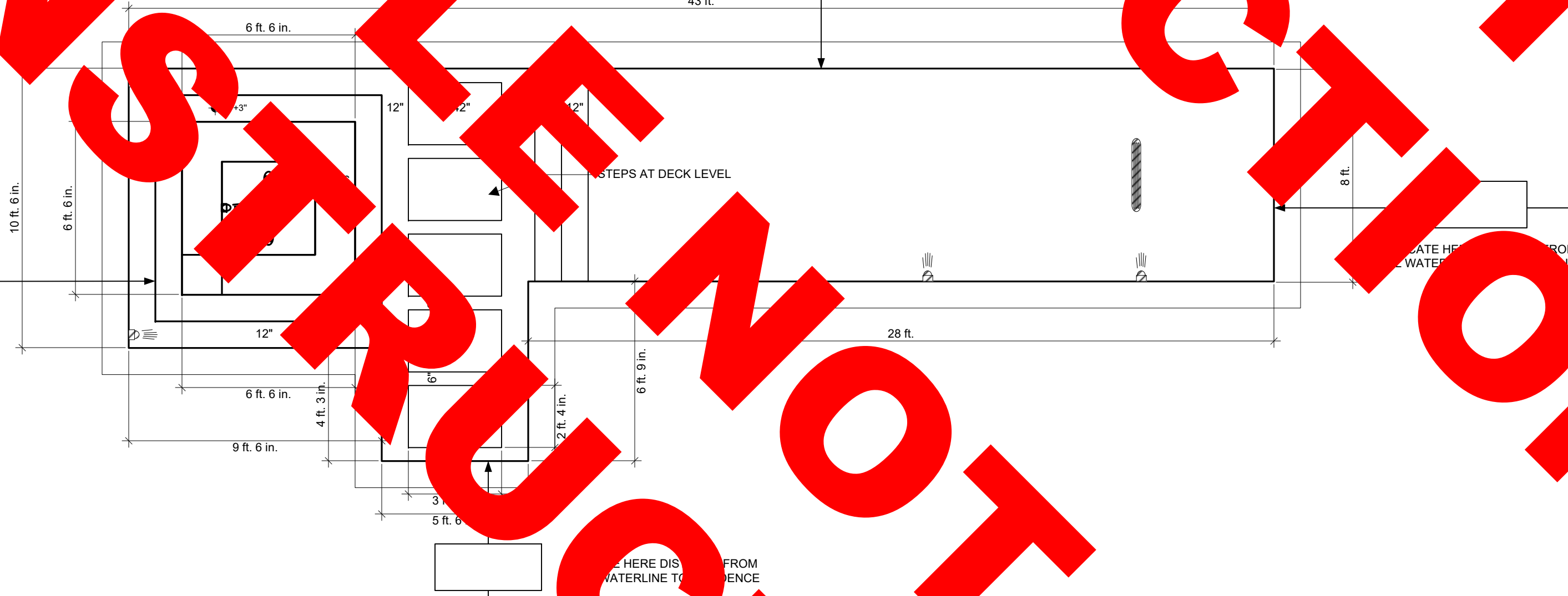
- \*CUSTOM DESIGN\*
- LAP POOL
- PERIMETER OVERFLOW SPA
- DECK LEVEL STAIRS

### POOL SPECIFICATIONS

LENGTH	43 ft. 0 in.
WIDTH	8 ft. 0 in.
MIN. DEPTH	3 ft. 0 in.
MAX. DEPTH	5 ft. 0 in.
AREA	405 s.f
PERIMETER	115 ft
GALLONS	12,000
JETS	(3) WALL 1-1/2" DIRECTIONAL INLETS
LIGHT(S)	(5) LED 12V - PENTAIR
PUMP	(1) PENTAIR 3 H.P. VARIABLE SPEED
FILTER	CARTRIDGE CCP320 - PENTAIR
DRAINS	(1) AQUASTAR 32CDFL101
SKIMMER	1
HEATER	PENTAIR
SPA SPECIFICATIONS	
SIZE	6 ft. 6 in. x 6 ft. 6 in.
AREA	42 s.f
PERIMETER	26 ft
GALLONS	500
JETS	(3) WATERWAY THERAPY JETS
LIGHT(S)	(1) LED 12V - PENTAIR
MAIN DRAINS	AQUASTAR 32CDFL101

PROPERTY LINE

PROPERTY LINE



RESIDENCE

ALL DIMENSIONS ARE TAKEN TO WATERLINE

NOTES:

BEFORE EXCAVATION:

CALL FOR UNDERGROUND UTILITIES, PIPES, CABLES, ETC.

SEE EASEMENT AND EASEMENT REQUIREMENTS

THIS PLAN IS FOR THE SOLE USE OF THE BUYER AND IS NOT TO BE REPRODUCED OR COPIED WITHOUT PERMISSION FROM POOLBOOK.NET

DESIGNS, IDEAS AND CONCEPTS

## POOL LAYOUT PAGE SITE PLAN

LAYOUT SCALE 1/4 inch = 1 foot

PRIOR TO EXCAVATION, CONFIRM THERE ARE NO UNDERGROUND CABLES, PIPES, LINES OR UTILITIES IN THE POOL AREA.

PROVIDE FENCE ENCLOSURE MINIMUM 4' HIGH, NON-CLIMBABLE W/ SELF CLOSING/ SELF LATCHING GATES AROUND POOL

PROVIDE DOOR ALARM, POOL ALARM OR SAFETY FENCE AROUND POOL

PROVIDE LANDSCAPE BARRIER AROUND POOL EQUIPMENT

**CRITICAL:**

DO NOT ALLOW ANY CONSTRUCTION TO TAKE PLACE INTO ANY EASEMENT.

CONFIRM MINIMUM PROPERTY LINE SETBACK REQUIREMENTS FOR POOL CONSTRUCTION ON YOUR PROPERTY AND DO NOT ALLOW ANY CONSTRUCTION TO TAKE PLACE INTO SETBACKS.

POOL WATER MUST BE 10' MINIMUM HORIZONTAL DISTANCE FROM ANY OVERHEAD POWERLINES.

**Note:**

Installation is to be done in accordance with all Federal, state and local building codes including IRC 2015 as well as compliance to ANSI/NSPI-5 - Standard for residential In-Ground Swimming Pools.

INTERNATIONAL SWIMMING POOL & SPA CODE - Electrical and bonding requirements shall comply with CURRENT NEC.

ANSI/NSPI - Type O Pool

BARRIER REQUIREMENTS PER STATE AND LOCAL CODE.

PLANING: GUNITE, SHOTCRETE, & CONCRETE SWIMMING POOLS

SCALE 1/4 inch = 1 foot.  
18" x 24" PAPER

DATE 2/26/2021

PAGE LAYOUT



# SAMPLE PLAN

## 8'-0" x 43'-0" POOL & SPA

Area	405 sq.ft	37.63 sq. m
Perimeter	115 ft.	35.05m
Gallons	12,000	45,424 Liters
Depth	3'-0" to 5'-0"	0.91m to 1.52m

2.44m x 3.11m

### FEATURES:

- \*CUSTOM DESIGN\*
- LAP POOL
- PERIMETER OVERFLOW
- DECK LEVEL STEPS

### PIPING NOTES

ALL PIPING TO BE PVC SCHEDULE 40 MINIMUM AND ALL PRESSURE PIPING AND MAIN DRAIN PIPING MUST BE PRESSURE TESTED PRIOR TO GUNITE (CONCRETE)  
 PROVIDE 5 PIPE DIAMETERS CLEAR LENGTH BEFORE PUMPS ON SUCTION SIDE

PIPING TO BE INSTALLED 18" MIN BELOW GRADE AND TRENCHES TO BE BACKFILLED W/ CLEAN SAND

WELL WATER: IF POOL IS TO BE FILLED WITH WELL WATER PROVIDE PREFILTER WHEN FILLING POOL

### POOL EQUIPMENT SLAB DETAILS

FORM ALL 4 SIDES OF NEW EQUIPMENT SLAB W/ SEPARATION FROM RESIDENCE AND ANCHOR EQUIPMENT TO SLAB AS REQUIRED.

POUR CONCRETE EQUIPMENT SLAB SAME TIME AS POOL FOR CONSTRUCTION EXPEDIENCY AND ECONOMY.

MAINTAIN 3' CLEARANCE FROM HEATER TO WINDOWS AND AVOID INSTALLATION OF HEATERS BELOW ROOF OVERHANG.

POOL EQUIPMENT COMPONENT PLACEMENT ON SLAB CAN VARY. PROVIDE FLOW FROM POOL TO PUMP THROUGH HEATER TO CHLORINE INLET TO POOL

PIPE DIMENSIONS ARE CRITICAL AND SHOULD NEVER VARY; PROVIDE 5 TIMES PIPE DIAMETER CLEAR LENGTH BEFORE PUMPS ON SUCTION SIDE

### PLUMBING IS SHOWN SPACED FOR CLARITY

PROVIDE LANDSCAPE BARRIER AROUND POOL EQUIPMENT

LOCATE SKIMMER TO TAKE ADVANTAGE OF PREVAILING WINDS IN YOUR AREA

HEATER MAX TEMPERATURE LIMITED TO 104°F

### POOL PIPING PAGE

#### NOTES:

ALL POOL PIPING SHALL BEAR THE N.S.F.-PW SEAL OF APPROVAL AND SHALL BE SCHEDULE 40 P.V.C. MIN. POOL PIPING.

WATER SUPPLY AND DISPOSAL SHALL BE SO ARRANGED THAT THERE IS NO CROSS CONNECTION WITH A DOMESTIC WATER SUPPLY OR WATER DISPOSAL SYSTEM.

HEATER MAX. TEMPERATURE LIMITED TO 104 °F.

#### NOTES:

IF WATER SOURCE IS A PRIVATE WELL, PRE-FILTER WATER TO FILL POOL.

ALL METALLIC ITEMS WITHIN 5'-0" OF WATER'S EDGE OF POOL TO BE BONDED WITH #8 SOLID INSULATED WIRE (U.L. LISTED) TO POOL STEEL. ALL GROUND WIRES CONNECTED TO POOL STEEL WITH BRASS GROUND LUGS..... G.F.I. OUTLET 10' MIN. AND 20' MAX. FROM POOL.

IF ENCLOSURE IS REQUIRED PROVIDE SCREEN OR FENCE AROUND POOL OR PROPERTY. FENCE GATES TO BE SELF CLOSING AND SELF LATCHING. PROVIDE DOOR AND WINDOW ALARMS AS REQUIRED.

STEEL OVERLAP @ 48 TIMES DIAMETER.

ESTABLISH THE LOCATION OF ALL UTILITIES AT SWIMMING POOL CONSTRUCTION SITE AND HOLD MINIMUM CLEARANCE DIMENSIONS ESTABLISHED BY THE REGULATORY AGENCY. ALLOW 10' MIN. HORIZONTAL CLEARANCE FROM OVERHEAD ELECTRIC WIRES TO POOL WATER.

DECK SHALL HAVE A SLIP RESISTANT FINISH WITH NO SHARP EDGES AND BE POSITIVELY SLOPED FOR DRAINAGE.

PROVIDE WEEP HOLES IN SHELL AND DEWATERING TRAYS AND ANY OTHER METHODS NECESSARY TO PREVENT THE POSSIBILITY OF THE POOL FLOATING ON HYDROSTATIC UPLIFT PRESSURE WHEN THE POOL IS EMPTY.

BACKFILLING OF THE POOL SHALL BE DONE CAREFULLY TO ASSURE NO DAMAGE TO THE PIPING OCCURS AND BACKFILL SHALL BE DONE WITH CLEAN SOIL FREE FROM ROCKS AND DEBRIS AND SHALL BE COMPACTED TO SO THAT NO VOIDS EXIST PROVIDING A FIRM FINISH FOR THE DECK.

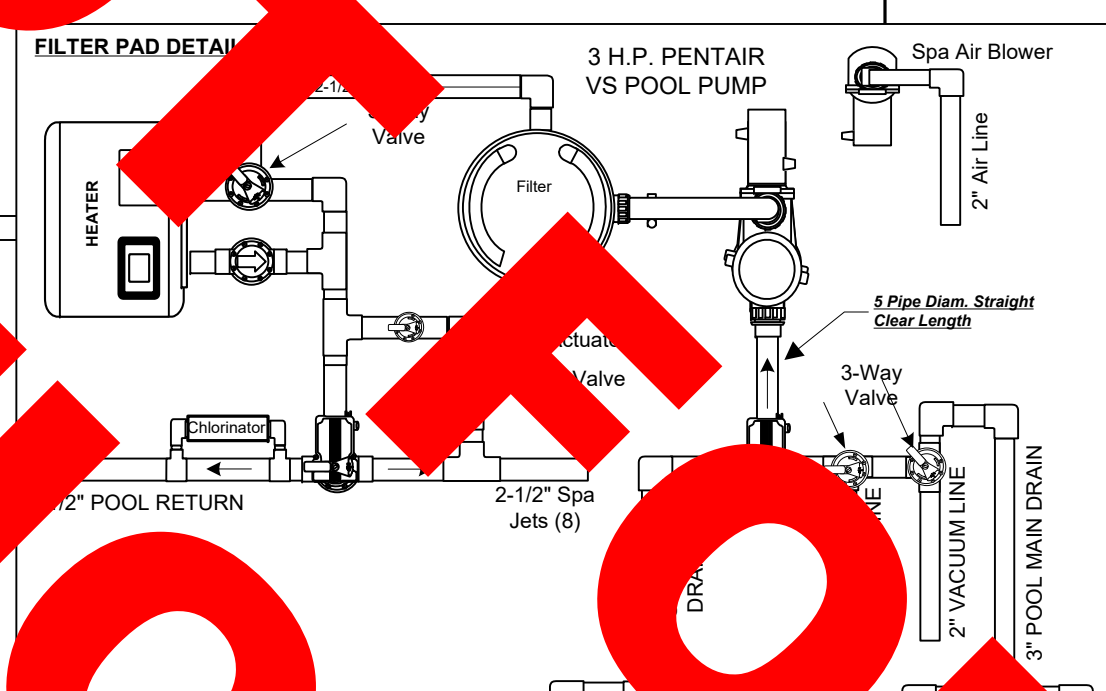
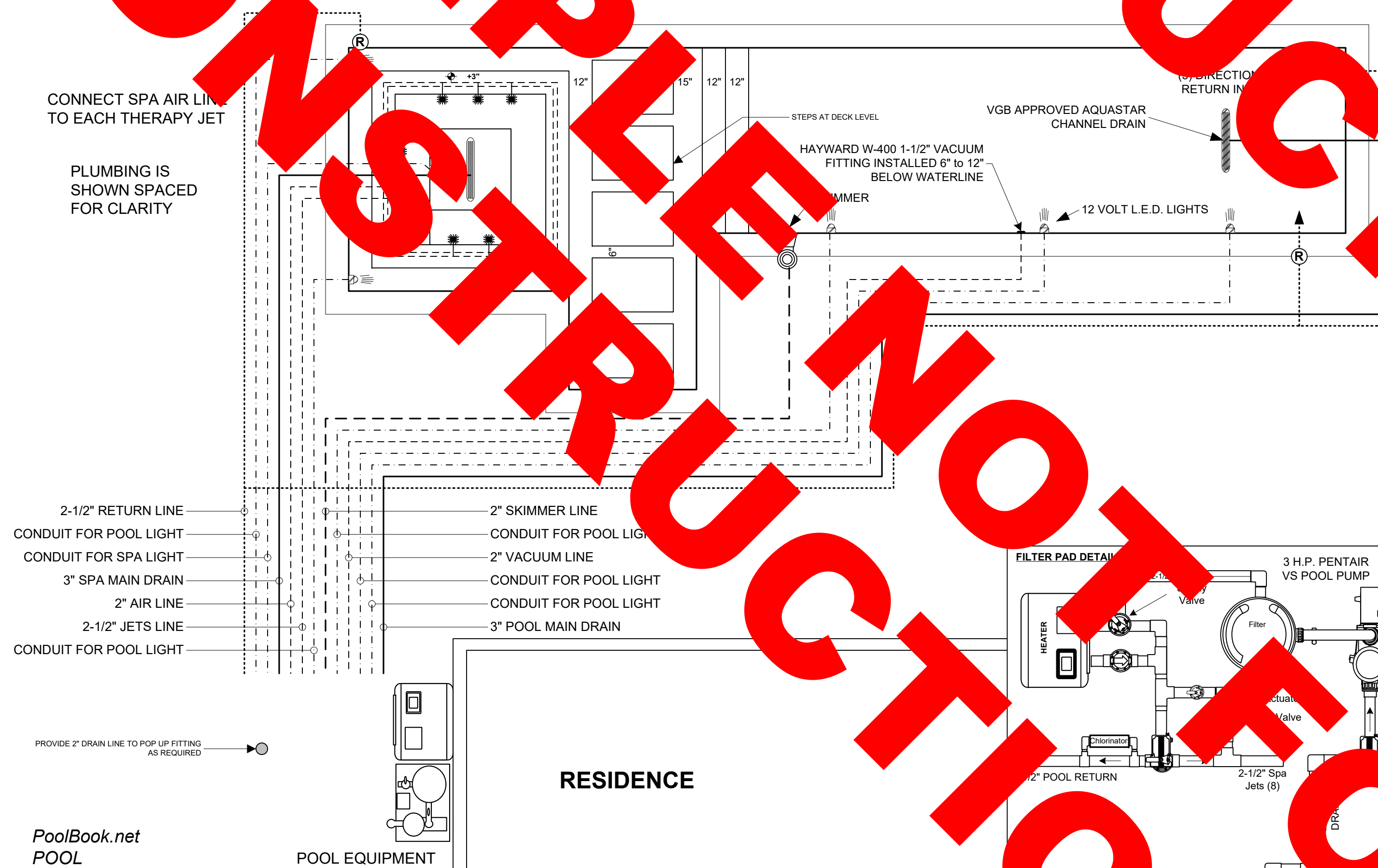
ALL PIPING TO BE SCHEDULE 40 MINIMUM AND ALL PRESSURE PIPING AND MAIN DRAIN PIPING MUST BE PRESSURE TESTED PRIOR TO GUNITE (CONCRETE).

SWIMMING POOL HOSES SHALL BE EQUIPPED WITH A VACUUM BREAKER.

LOCATE POOL RETURN 18" MIN BELOW WATERLINE.

HEATER MAX. TEMPERATURE LIMITED TO 104°F.

PLANS ARE FOR GUNITE, SHOTCRETE, & CONCRETE SWIMMING POOLS

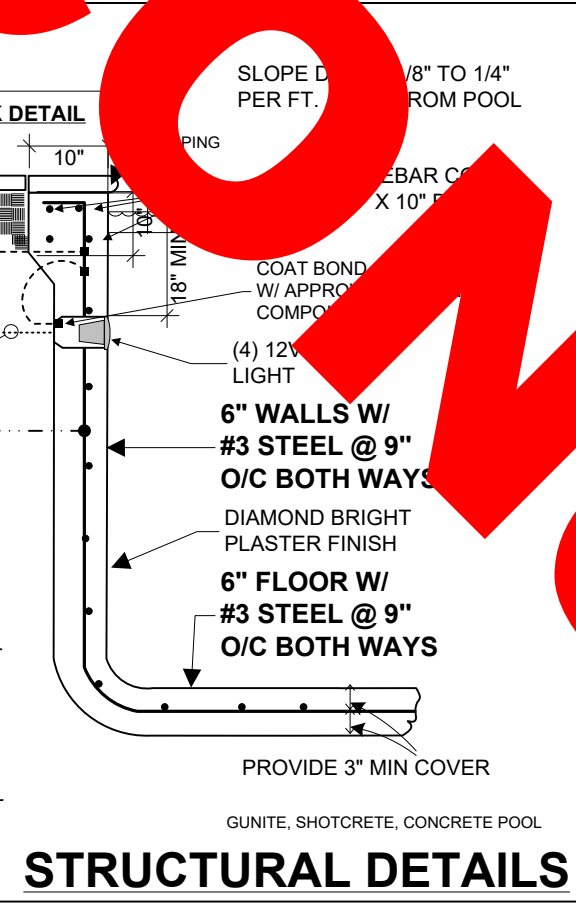
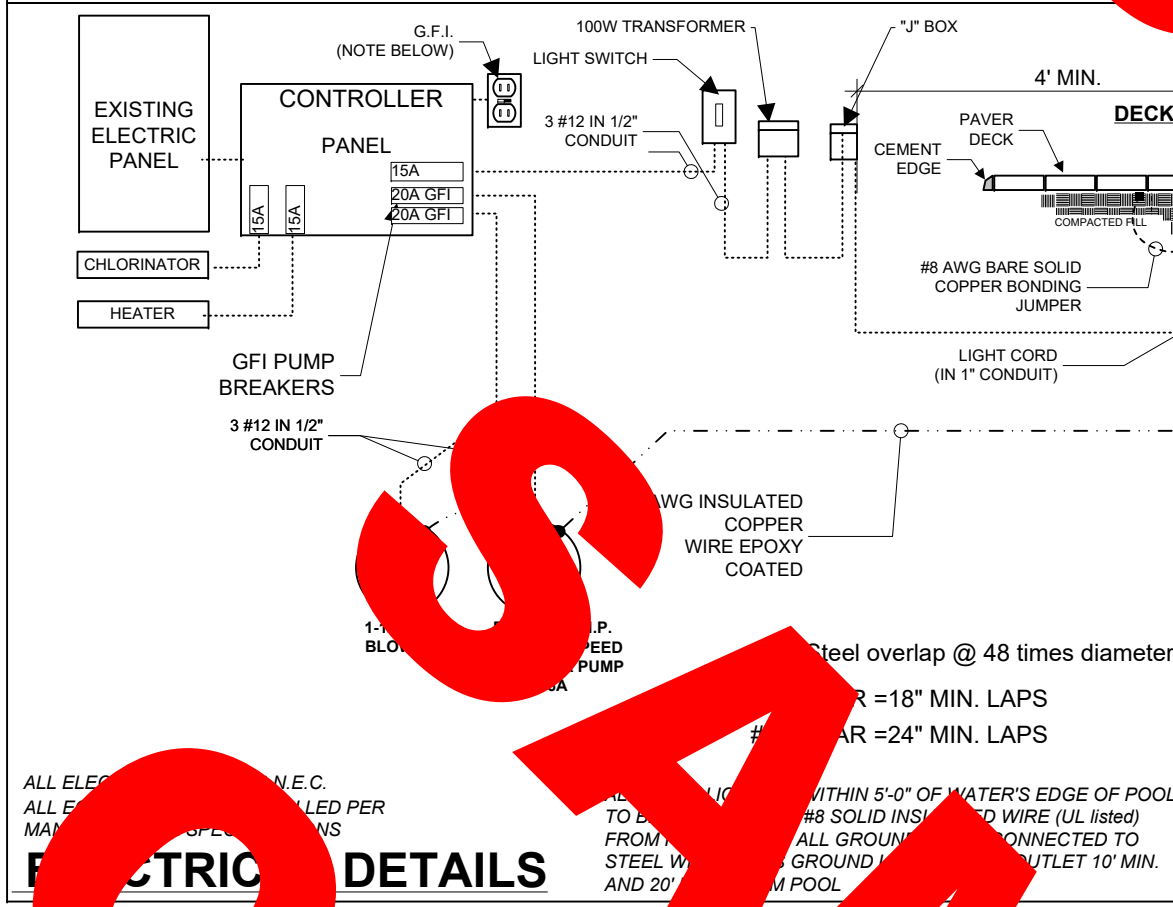


#### LEGEND

- (R) - RETURN LINE
- ⊕ - ELEVATION
- ⊕ - 2-WAY VALVE
- ⊕ - 3-WAY VALVE
- ⊕ - CHECK VALVE
- ⊕ - BUTTERFLY VALVE
- ⊕ - SKIMMER
- ⊕ - VALVE ACTUATOR
- NTS - NOT TO SCALE



PoolBook.net  
**SAMPLE PLAN**  
 8'-0" x 43'-0" POOL & SPA

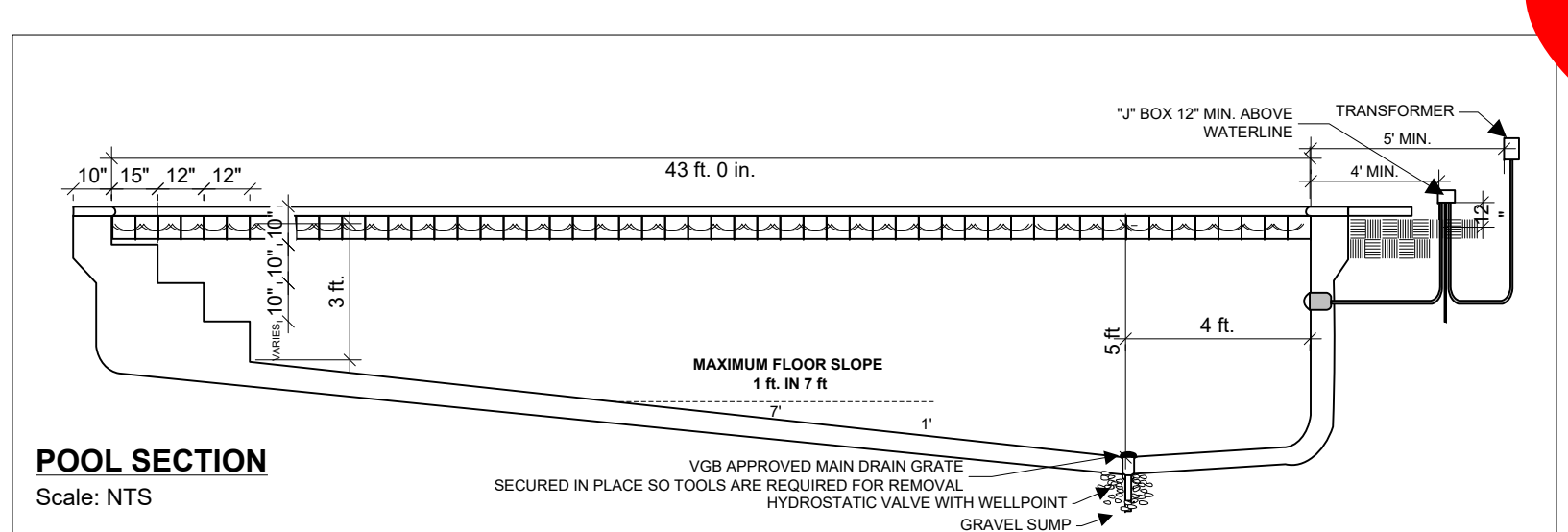
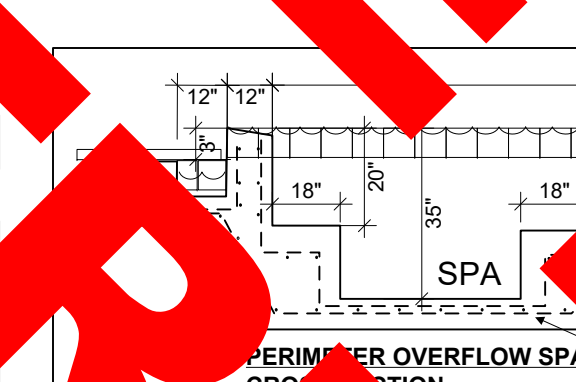


LINE TYPE	SIZE	FLOW (GPM)	PSI
MAIN DRAIN LINE	3"	50	
RETURN LINE	2-1/2"	130	
THERAPY JETS	2-1/2"	130	

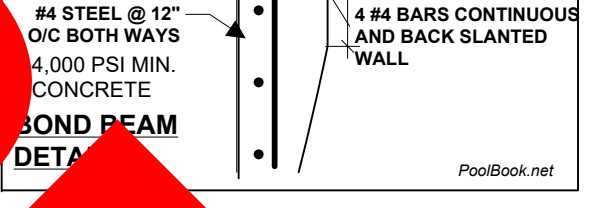
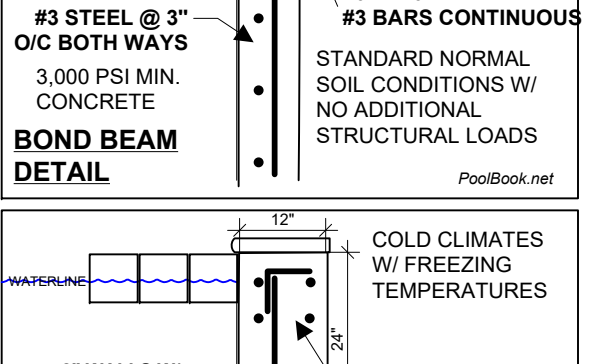
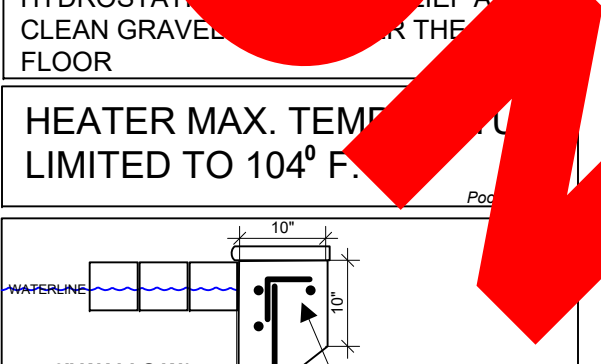
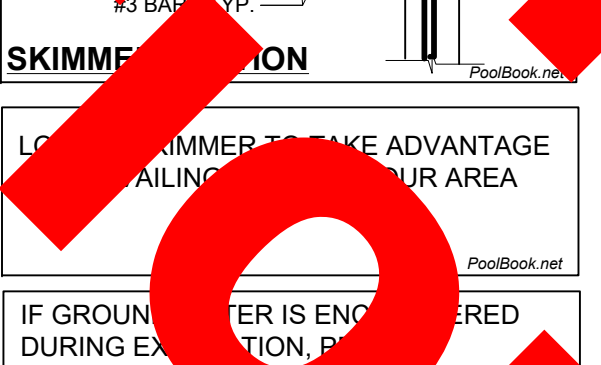
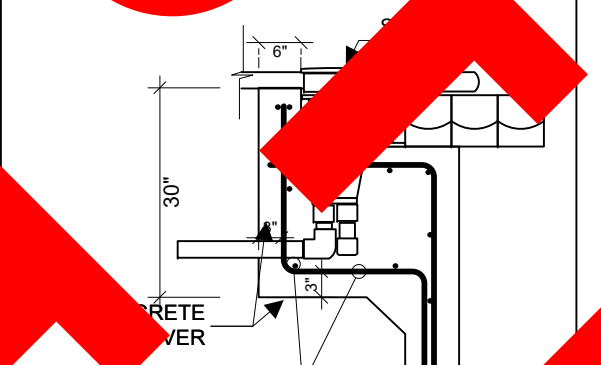
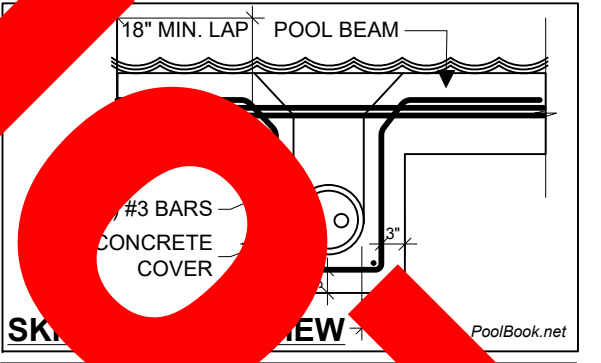
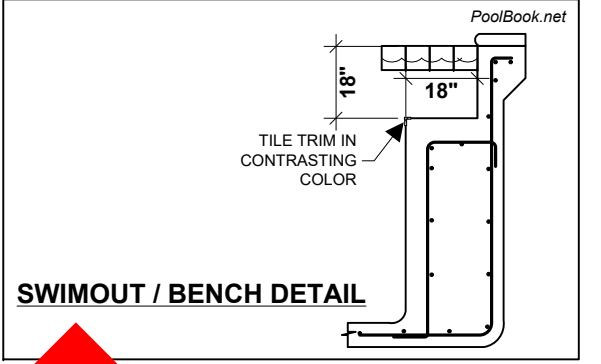
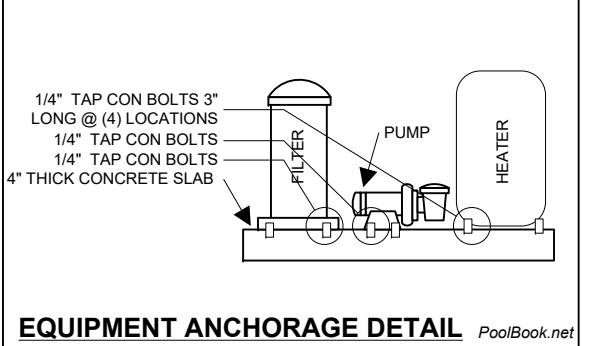
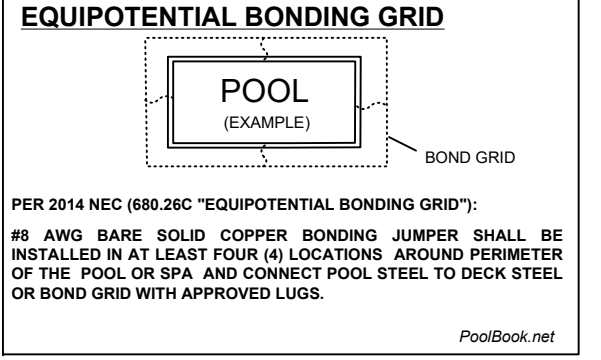
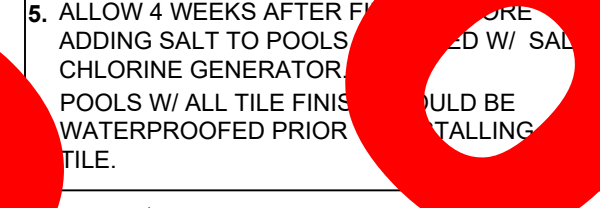
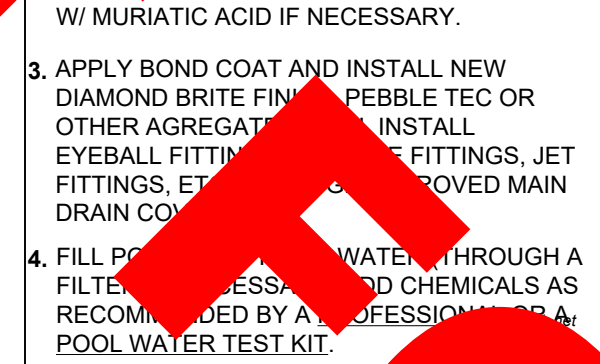
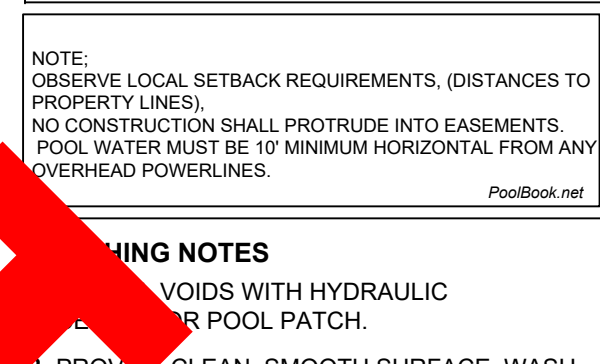
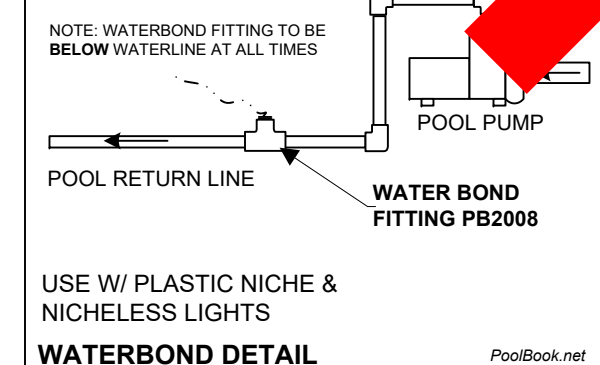
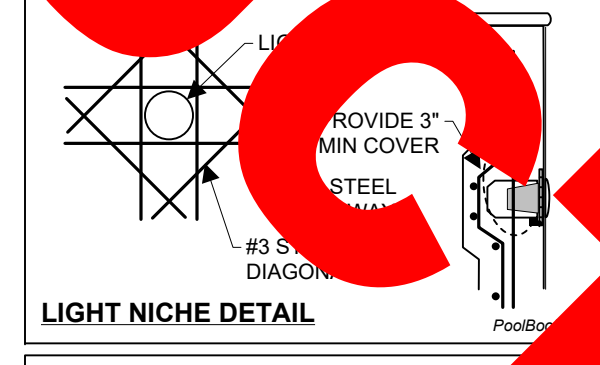
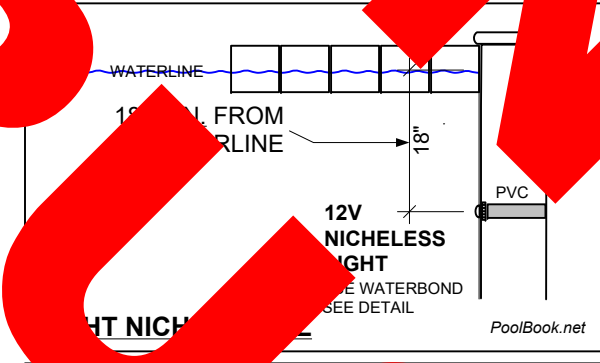
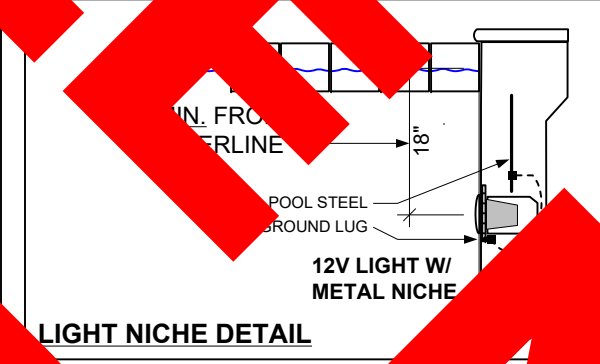
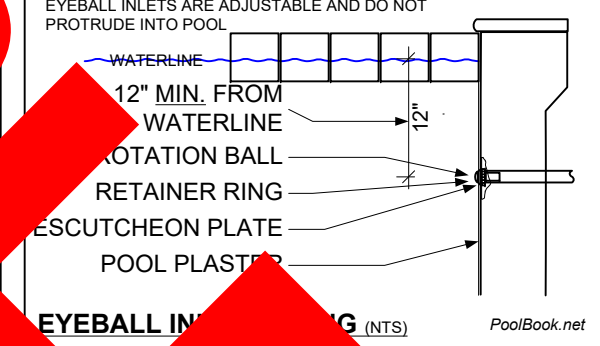
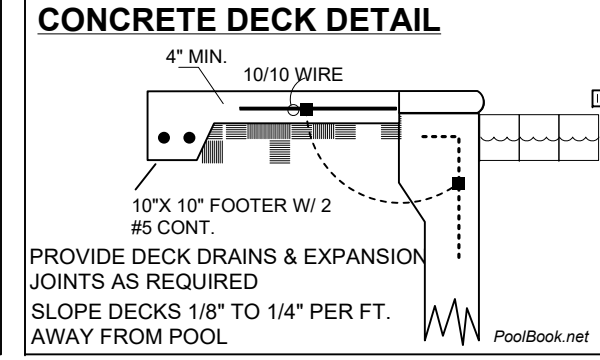
LINE TYPE	SIZE	FLOW (GPM)	PSI
MAIN DRAIN LINE	3"	51	
RETURN LINE	2-1/2"	51	

POOL SPECIFICATIONS	
LENGTH	43 ft. 0 in.
WIDTH	8 ft. 0 in.
MIN. DEPTH	3 ft. 0 in.
MAX. DEPTH	5 ft. 0 in.
AREA	405 s.f
PERIMETER	115 ft
GALLONS	
INLETS	(3) WALL 1-1/2" DIRECTIONAL INLET
LIGHT(S)	(5) LED 12V - PENTAIR
PUMP	(1) PENTAIR 3 H.P. VARIABLE SPEED
FILTER	CARTRIDGE CCP3 - PENTAIR
MAIN DRAINS	(1) AQUASTAR 32CDFL101
SKIMMER	
HEATER	PENTAIR
SPA SPECIFICATIONS	
SIZE	6 ft. 6 in. x 6 ft. 6 in.
AREA	42 s.f
PERIMETER	26 ft
GALLONS	500
INLETS	(8) WATERWAY THERAPY JETS
LIGHT(S)	(1) LED 12V - PENTAIR
MAIN DRAINS	(1) AQUASTAR 32CDFL101

- FINISHING NOTES**
- FILL ALL VOIDS WITH HYDRAULIC CEMENT OR POOL PATCH.
  - PROVIDE CLEAN, SMOOTH SURFACE. WASH W/ MURIATIC ACID IF NECESSARY.
  - APPLY BOND COAT AND INSTALL NEW DIAMOND BRITE FINISH, PEBBLE TEC OR OTHER AGGREGATE FINISH. INSTALL EYEBALL FITTINGS, FEATURE FITTINGS, JET FITTINGS, ET C. AND VGB APPROVED MAIN DRAIN COVER.
  - FILL POOL WITH FILTER WATER (THROUGH A FILTER PRESSURE) AND ADD CHEMICALS AS RECOMMENDED BY A PROFESSIONAL POOL WATER TEST KIT.
  - ALLOW 4 WEEKS AFTER FINISH BEFORE ADDING SALT TO POOLS EQUIPPED W/ SALT CHLORINE GENERATOR.
  - POOLS W/ ALL TILE FINISH SHOULD BE WATERPROOFED PRIOR TO INSTALLING TILE.



POOL PLAN FOR THE SOLE USE OF THE PURCHASER AND IS NOT TO BE REPRODUCED OR RESOLD WITHOUT THE PERMISSION OF POOLBOOK.NET



PoolBook.net  
 DESIGNS, IDEAS AND CONCEPTS

**GENERAL NOTES:**

DESIGN BASED ON SITE WITH UNDISTURBED SAND & ROCK, WITH A MINIMUM BEARING VALUE OF 2000 PSF.

EXPANSIVE SOIL CONDITIONS, SLOPES, RETAINING WALLS, ADJACENT STRUCTURES, LOCATION AND FEATURES MAY REQUIRE ADDITIONAL STRUCTURAL REINFORCEMENT.

REINFORCING STEEL SHALL BE ASTM DESIGNATION A615 GRADE 60 WITH A MINIMUM YIELD STRESS OF 60 KSI. REINFORCING BARS SHALL BE NEW DEFORMED BARS OF BILLET STEEL FREE FROM OIL, SCALE OR RUST. ALL SPLICES, LAPS AND PLACEMENT SHALL CONFORM TO ACI 318-89.

PIPING: ALL POOL PIPING SHALL BEAR THE N.S.F.-PW SEAL OF APPROVAL AND SHALL BE SCHEDULE 40 P.V.C. MIN. POOL PIPING.

WATER SUPPLY AND DISPOSAL SHALL BE SO ARRANGED THAT THERE IS NO CROSS CONNECTION WITH A DOMESTIC WATER SUPPLY OR WATER DISPOSAL SYSTEM.

ALL CONCRETE SHALL CONFORM TO A.C.I 318-11. CONCRETE SHALL HAVE A MINIMUM COMPRESSIVE STRENGTH OF 3,000 PSI FOR PNEUMATICALLY PLACED CONCRETE (GUNITES/SHOTCRETE)

EQUIPOTENTIAL BONDING GRID SHALL BE INSTALLED PER NEC SECTION 680.26(C)

INSTALLATION IS TO BE DONE IN ACCORDANCE WITH ALL FEDERAL, STATE AND LOCAL BUILDING CODES INCLUDING ANSI/APSP 3, ANSI/NSPI 5, ANSI/APSP 7, ANSI/APSP/ICC 15

FINISHES ARE FOR GUNITES, SHOTCRETE, & CONCRETE FINISHING POOLS

DESCRIPTION

SCALE 1/4 inch = 1 foot.  
 18" x 24" PAPER

DATE 2/26/2021

PAGE DETAIL PAGE