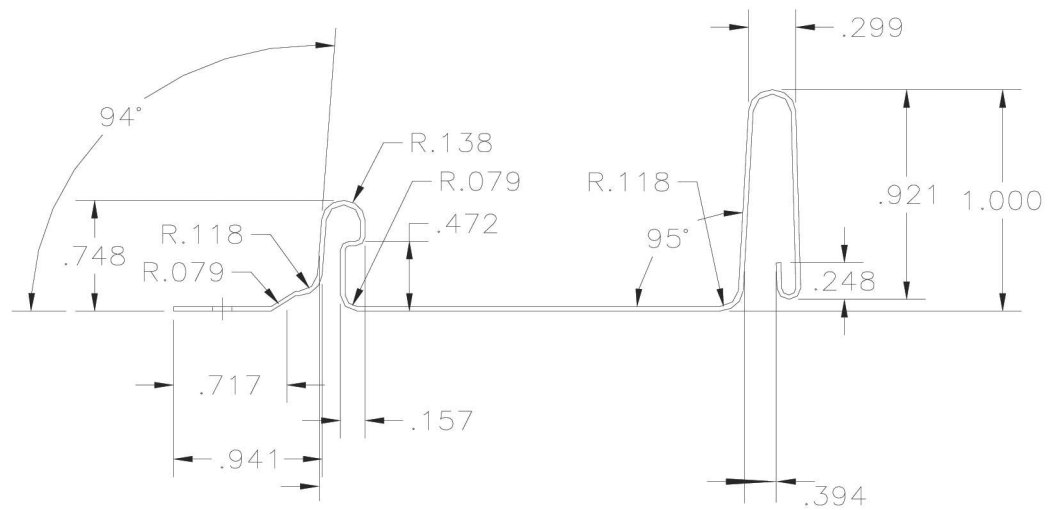


# FF100 Panel



281-893-8382

## 1" Nail Strip Panel



### 1. Inch Nailstrip Snap Lock

Architectural standing seam panel.

1.0 inch rib height.

Gauges 24, 26

Screw fastening through slotted hole for limited thermal movement.

Fastest panel in the market for installation.

Panel	Type	Test Type	Width	Ga.	Fastener Spacing	Decking
1" Nail	Wind Uplift Class 90	UL Construction 600	16	24 CRS	16	1/2 Plywood