

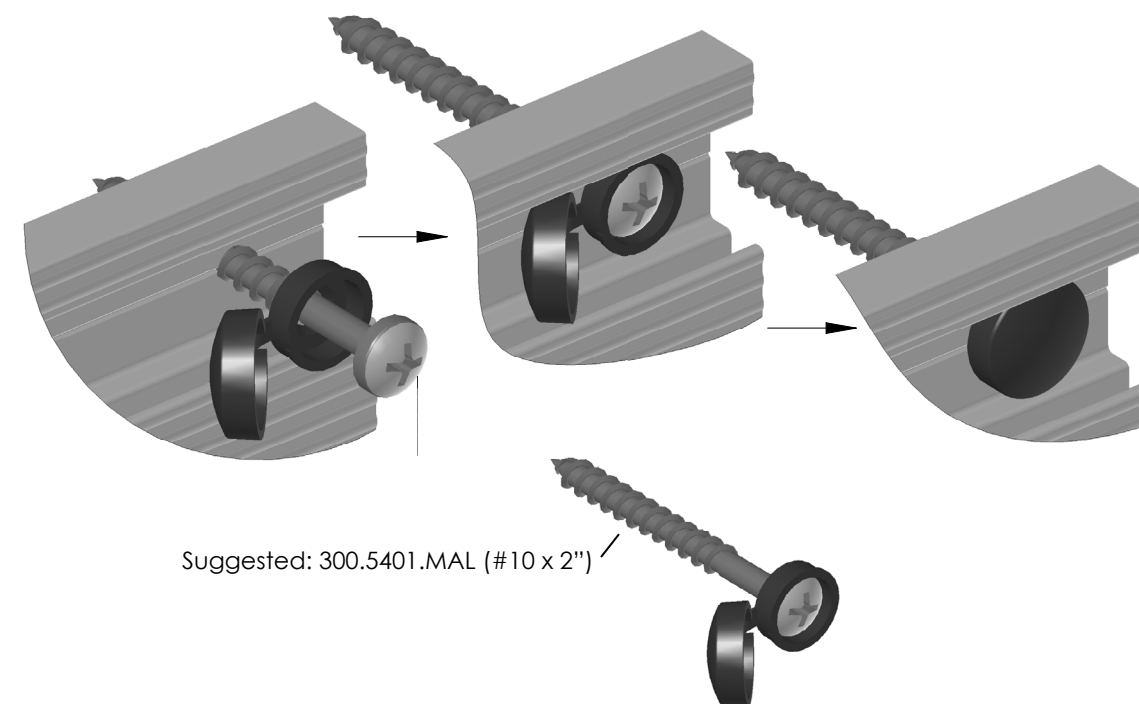
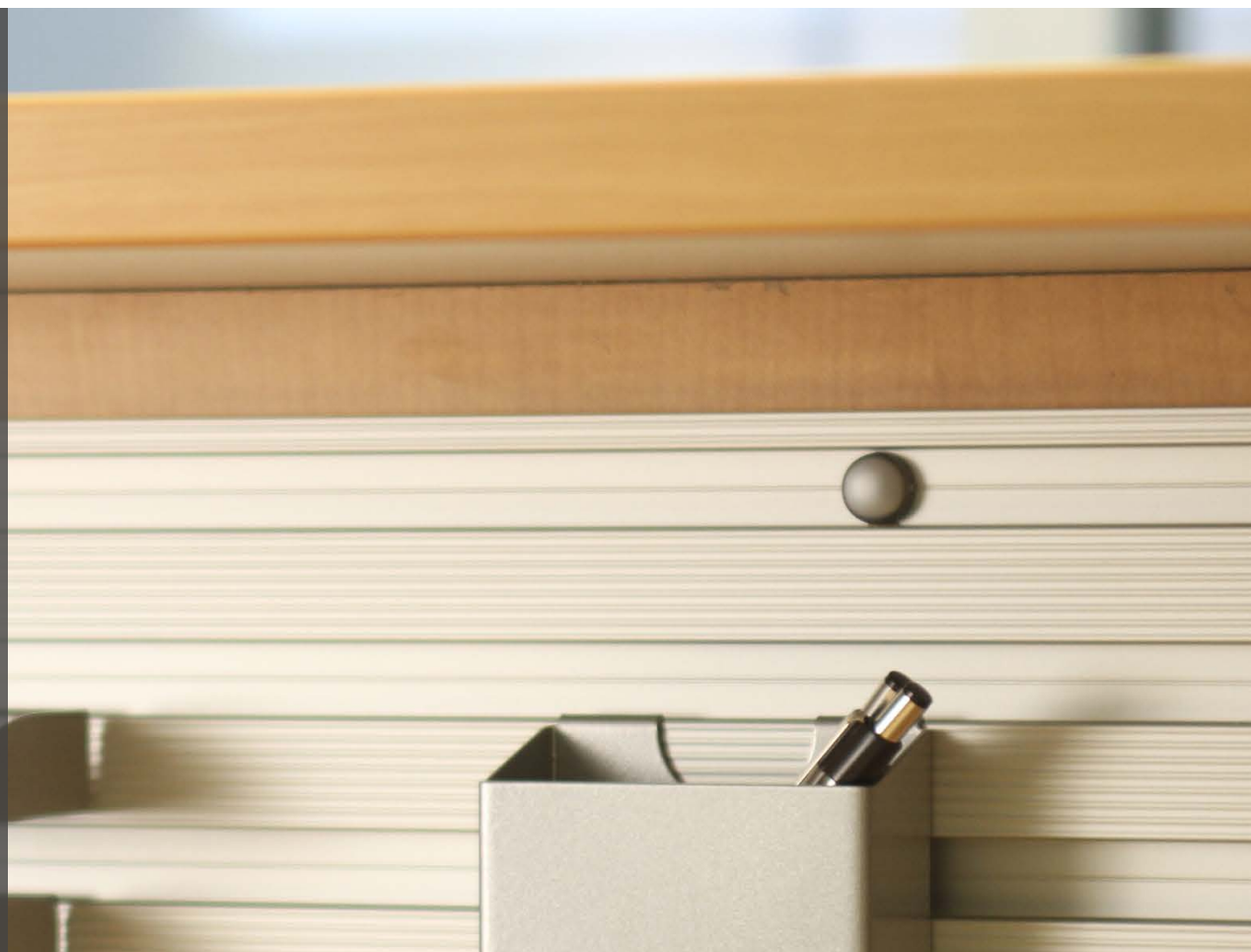
TRACK SYSTEM
screw caps

300.5405.MAL

FEATURES

Designed to conceal the screws that mount the Track Panel to the wall

The caps are compatible with the 3/16" SnapToggle so the panel can be anchored where studs are not present



DIMENSIONS

SPECS

300.5405.MAL

OPTIONS

FINISH:



MATTE ALUMINUM



FINISHED PRODUCT