

**TRACK | CLOSET**  
bracelet holder

300.5605.MAL

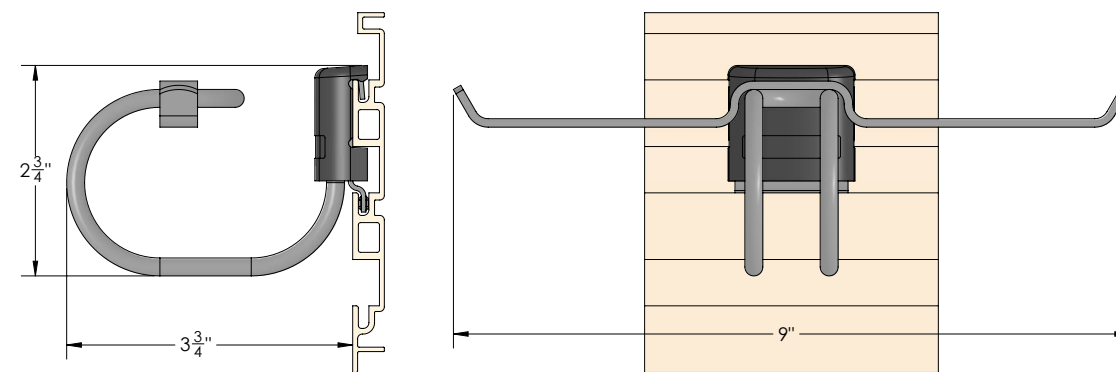
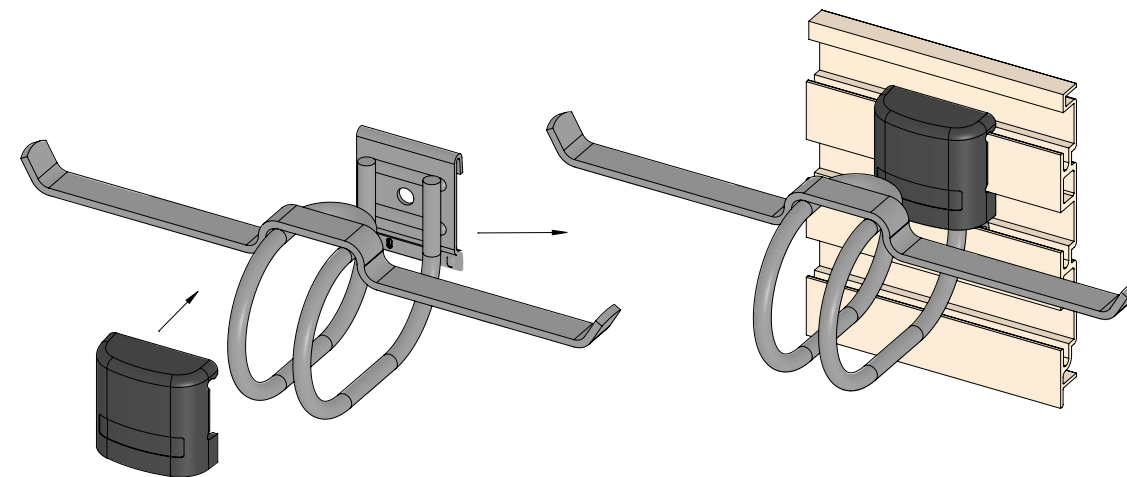
**FEATURES**

Designed to store eight bracelets on the track system

The upturned hook keeps bracelets from slipping

Also suitable for necklaces and bangles

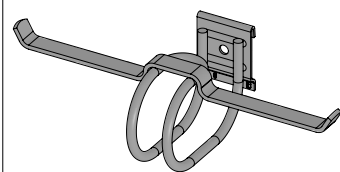
Cover cap secures hook to track



**DIMENSIONS**

**SPECS**

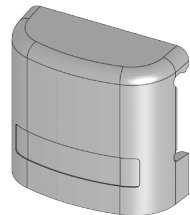
BRACELET HOLDER



300.5605.MAL

+

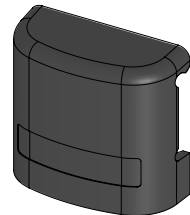
GRAY COVER CAP



300.5230.MAL

OR

BLACK COVER CAP



300.5230.BLK

**FINISH:**



**OPTIONS**



**FINISHED PRODUCT**