

**TRACK | GARAGE**  
activity rack

300.5205.MAL

**FEATURES**

Designed specifically for sports and outdoor activity equipment

- Allows ski/snowboard bindings, hockey stick blades and baseball bats to be stored vertically

- Hole in middle of base allows a screw to be secured into the wall stud if desired

- Cover cap secures hook to track & soft protective cover prevents metal contact



**SPECS**

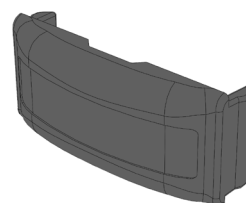
ACTIVITY RACK



300.5205.MAL



BLACK COVER CAP



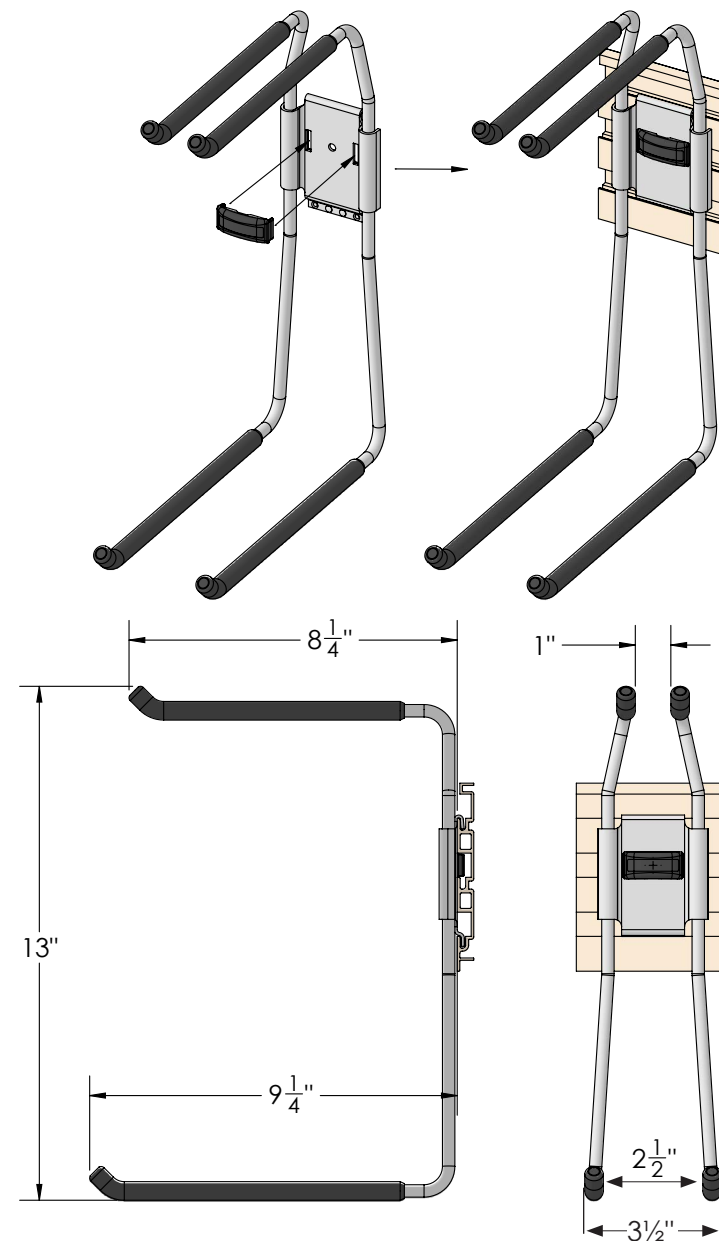
300.5200.BLK

**FINISH:**



**OPTIONS**

**DIMENSIONS**



**FINISHED PRODUCT**