

**HARDWARE**  
full extension drawer slide

300.6230/300.6235/300.6240  
300.6245/300.6250

**FEATURES**

Provide a high-quality solution for drawers and other pull-out applications

- Features a heavy duty, ball-bearing design that is smooth operating and built-to-last depths under 14"

**SPECS**

300.6230  
300mm

300.6235  
350mm

300.6240  
400mm

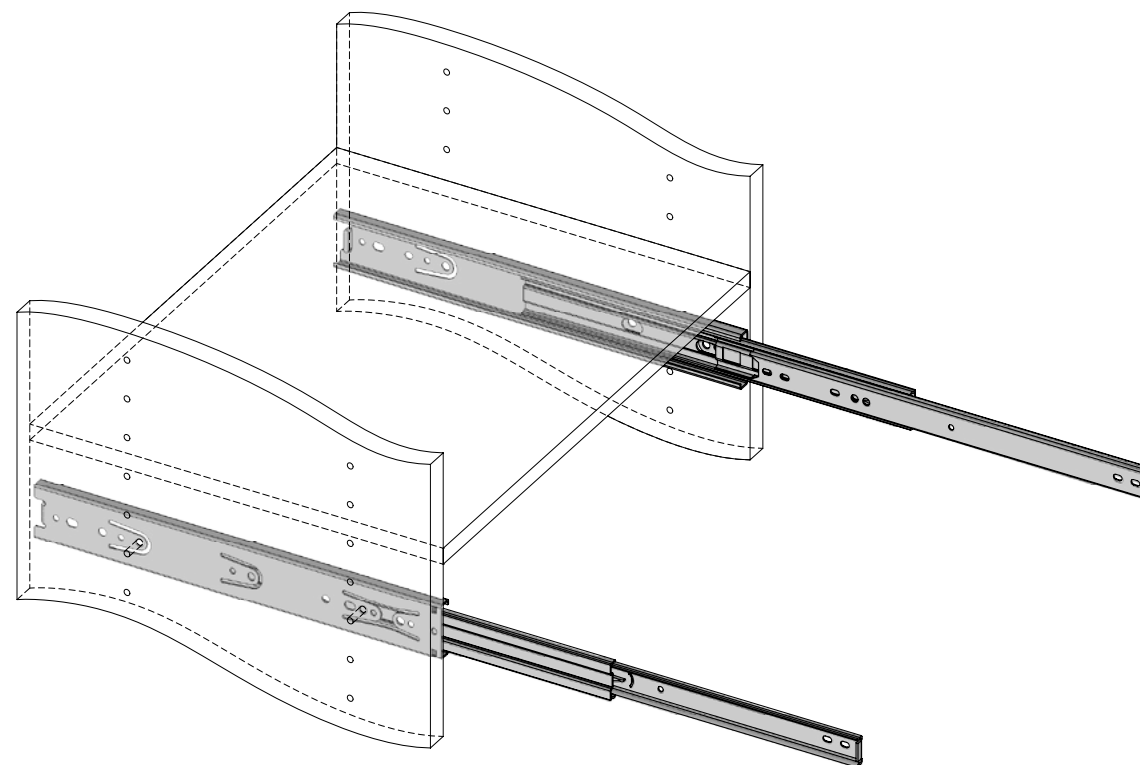
300.6245  
450mm

300.6250  
500mm

**FINISH:**



**OPTIONS**



**DIMENSIONS**

**FINISHED PRODUCT**