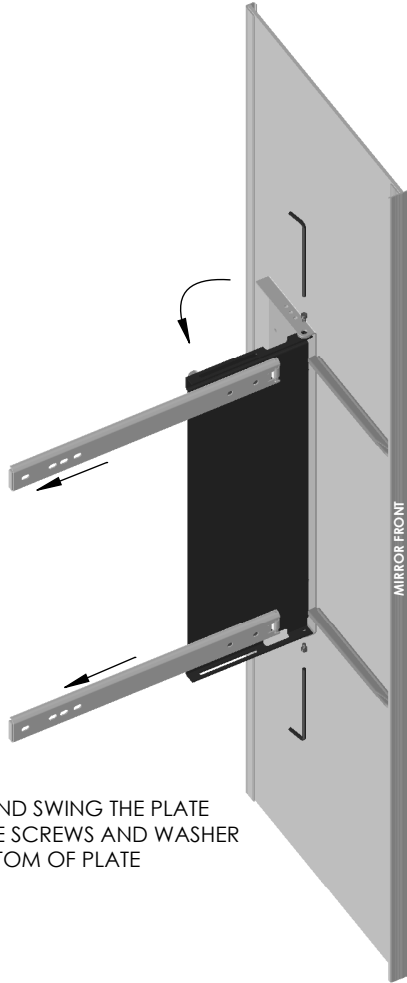
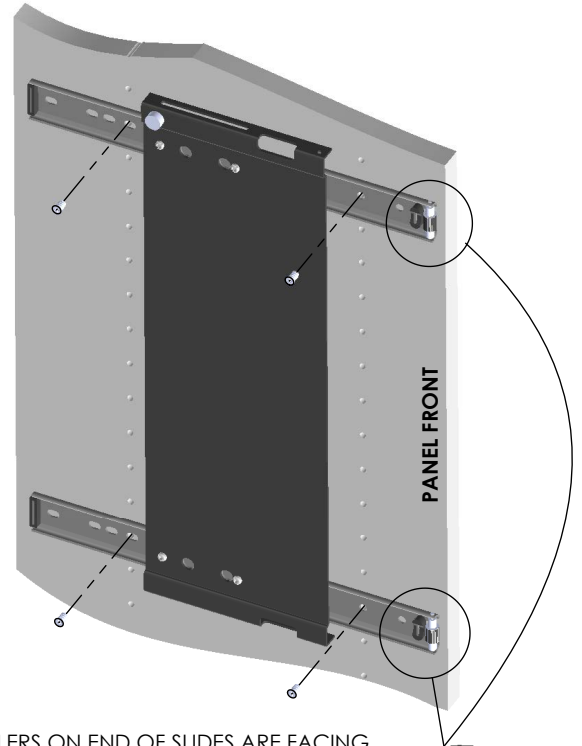


CLOSET MIRROR

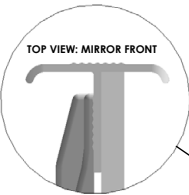
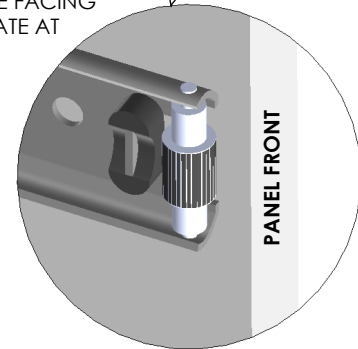


STEP 1:
EXTEND THE SLIDES AND SWING THE PLATE OUTWARDS. REMOVE SCREWS AND WASHER FROM TOP AND BOTTOM OF PLATE

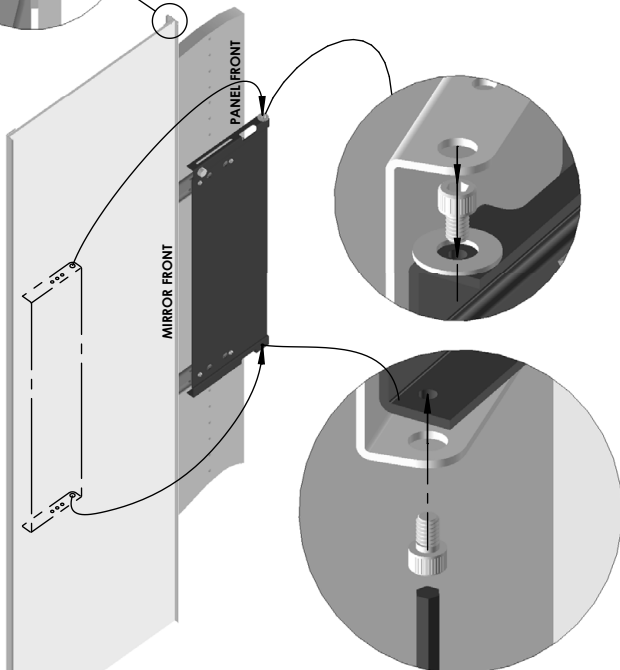


STEP 2:
ENSURE THAT ROLLERS ON END OF SLIDES ARE FACING TOWARDS FRONT OF PANEL AND MOUNT PLATE AT DESIRED HEIGHT USING TABLE BELOW

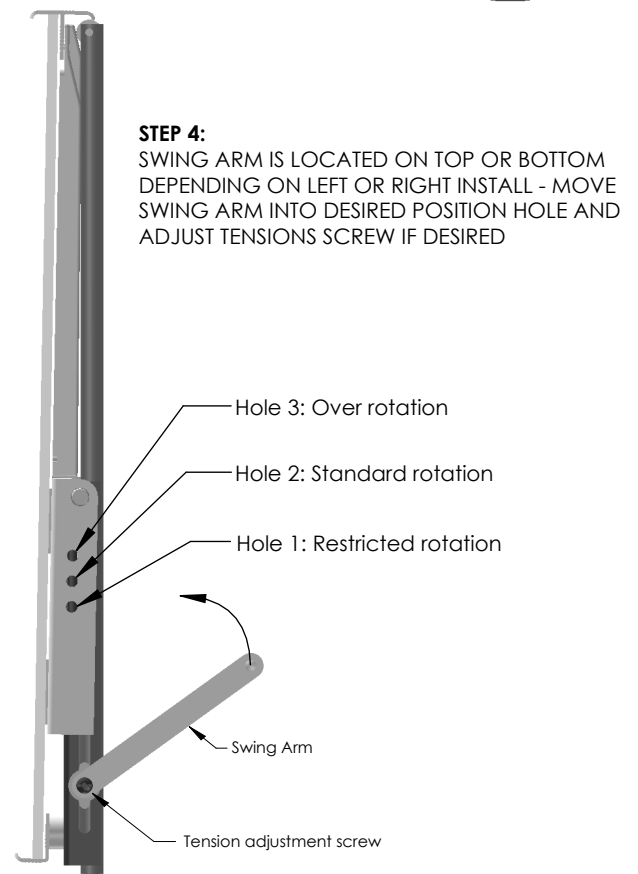
CUSTOMER HEIGHT	TOP SLIDE HEIGHT
6' 2"	58"
6'	56"
5' 10"	54"
5' 8"	52"



NOTE: ROTATE MIRROR SO THAT T-EDGE IS AT FRONT OF PANEL



STEP 3:
RE-INSTALL WASHER AND SCREW INTO TOP LOCATION OF THE BRACKET AND PLACE MIRROR OVER TOP OF THE SCREW. LINE UP HOLES ON BOTTOM AND INSTALL SCREW THROUGH



STEP 4:
SWING ARM IS LOCATED ON TOP OR BOTTOM DEPENDING ON LEFT OR RIGHT INSTALL - MOVE SWING ARM INTO DESIRED POSITION HOLE AND ADJUST TENSIONS SCREW IF DESIRED

- Hole 3: Over rotation
- Hole 2: Standard rotation
- Hole 1: Restricted rotation

Swing Arm

Tension adjustment screw