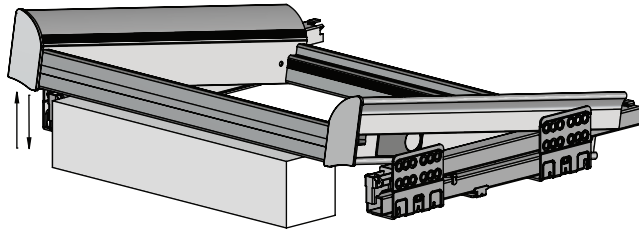
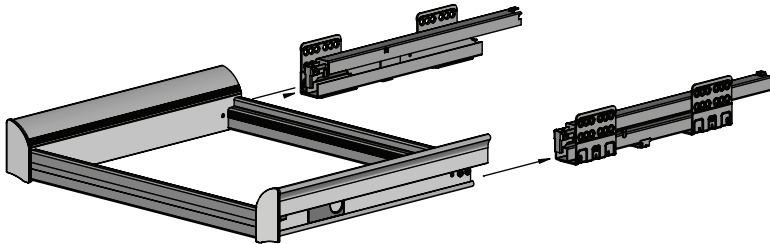


## SLIDE REMOVAL



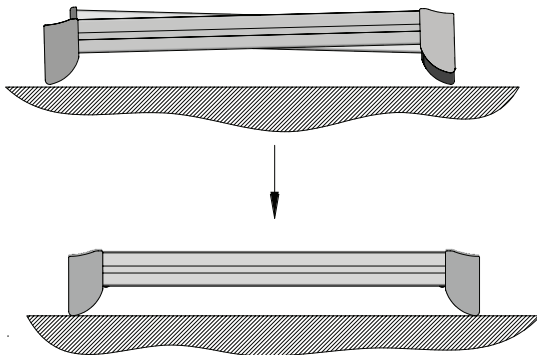
## STEP 1

Extend slides and move black rectangular clips on each side of frame towards back. Impact front crossbar on packing foam to detach front frame.



## STEP 2

Push slides backwards to release from rear of frame.



## STEP 3

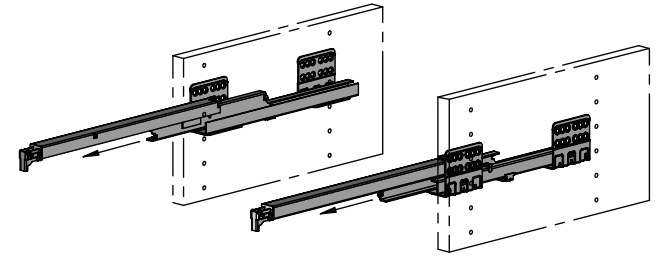
Press on corners to square the frame.

View How-To Videos for more information.  
<https://www.youtube.com/user/TagHardware>

## SLIDE INSTALLATION

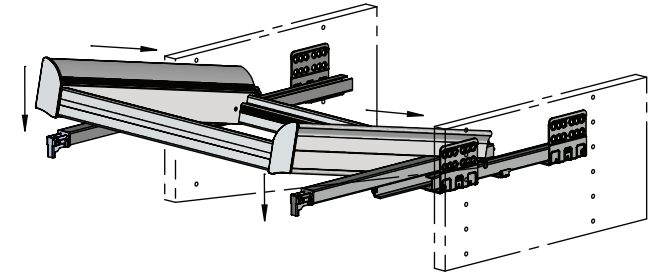
## STEP 1

Mount slides on panels and extend arms out.



## STEP 2

Put rear of frame onto slides and push back on angle into rear slot. Press front of frame down, snapping frame onto slide arms.



## STEP 3

Slide black clips to the front.

