

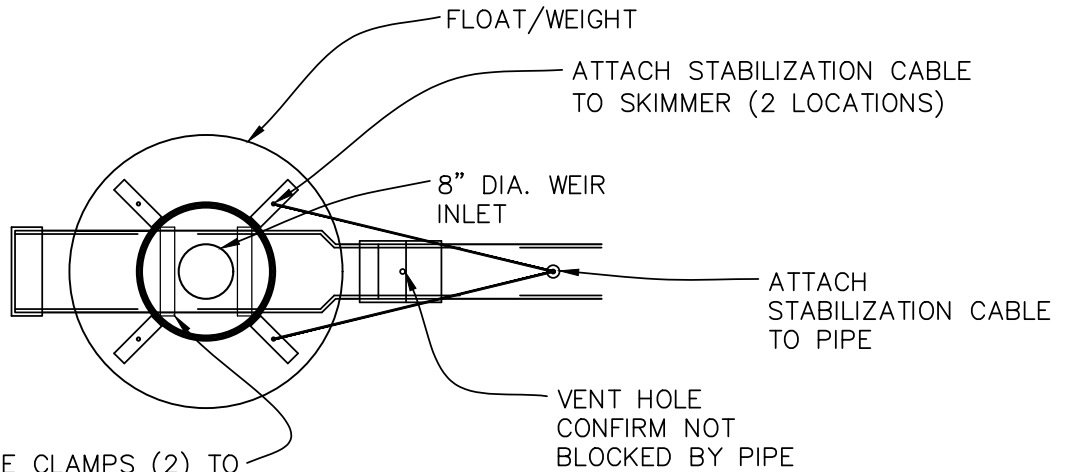
**STANDARD NOTES:**

1. Rigid outlet pipe should be 1.5 to 2 times the height of outlet structure (H), (min. 8). If over 14' long weight may need to be added to skimmer.
2. Inlet Orifice size can be reduced with 5" and 6" saddles provided.
3. Minimal assembly required. User provides rigid outlet pipe. All other materials and parts included.
4. Total weight of skimmer ±116.0 lbs.

Water Depth	8" Skimmer with No Saddle		with 6" Orifice Saddle		with 5" Orifice Saddle	
	cfs	cfm	cfs	cfm	cfs	cfm
0.1	0.4007	34,617	0.3062	26,453	0.1665	14,382
0.3	0.4695	40,566	0.3732	32,248	0.2257	19,503
0.5	0.5500	47,516	0.4550	39,314	0.3064	26,473
1.0	0.6440	55,641	0.5549	47,939	0.4156	35,906
1.5	0.7066	61,051	0.6228	53,812	0.4967	42,914
2.0	0.7545	65,190	0.6763	58,432	0.5638	48,710
2.5	0.7940	68,598	0.7209	62,283	0.6219	53,735
3.0	0.8276	71,505	0.7594	65,614	0.6738	58,220
3.5	0.8572	74,066	0.7935	68,559	0.7213	62,321
4.0	0.8838	76,357	0.8243	71,216	0.7648	66,076
Avg (0.5'-4')	0.7522	64,990	0.6759	58,396	0.5705	49,294

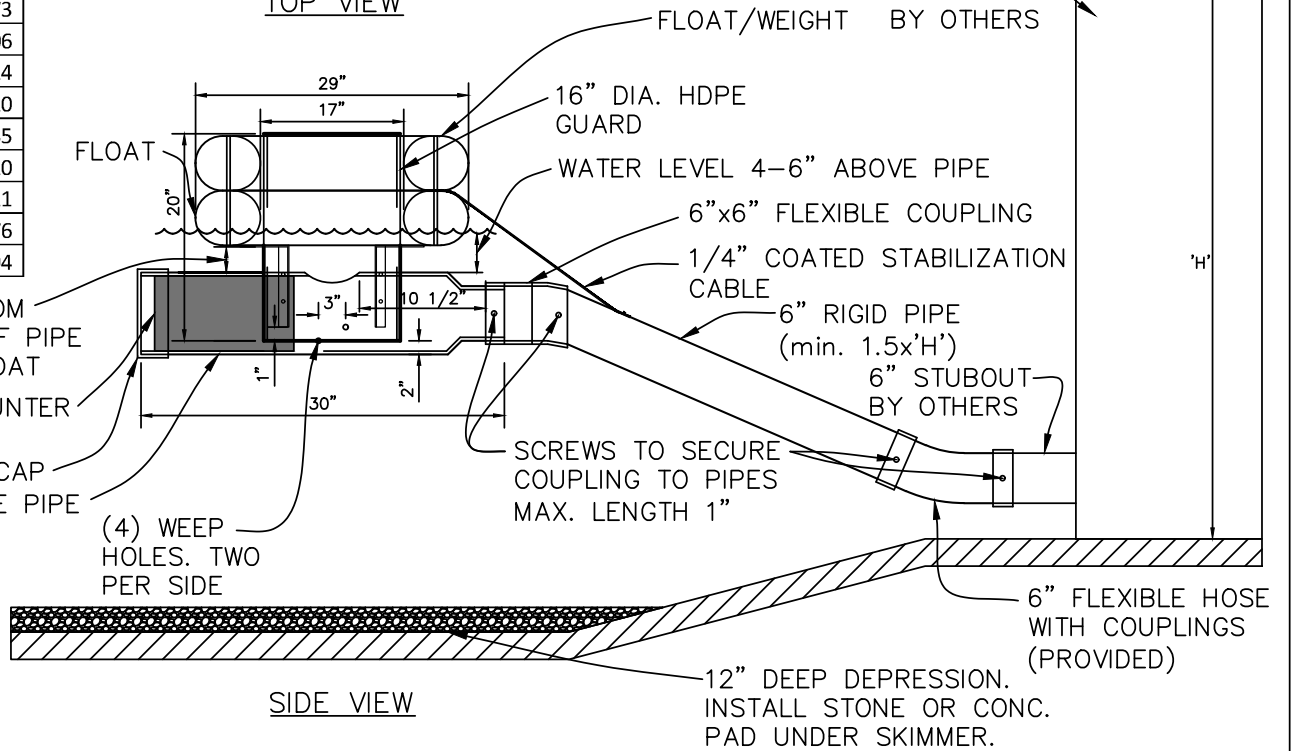
FLOW RATES BASED ON THIRD PARTY TESTING. FOR DESIGN PURPOSES ASSUME FLOW RATES REMAIN CONSTANT FOR DEPTHS GREATER THAN 4'.

WEIGHT TO COUNTER BUOYANCY  
10" CAP  
10" HDPE PIPE



PIPE CLAMPS (2) TO ATTACH ORIFICE SADDLE, IF USED

**TOP VIEW**



**SIDE VIEW**

DEVELOPED BY RYMAR WATERWORKS INNOVATIONS, 08/10/18. VALID UNTIL 12/31/18. CHECK WEBSITE FOR UPDATES.

**MODEL 3**  
**5" - 8" Marlee Float**  
**Skimmer Detail**



WEB PAGE  
[WWW.RYMARWATERWORKS.COM](http://WWW.RYMARWATERWORKS.COM)  
PHONE #  
1-855-697-9333

SCALE  
N.T.S.  
DATE  
08/13/18

PROPERTY LOCATION  
----  
County, State