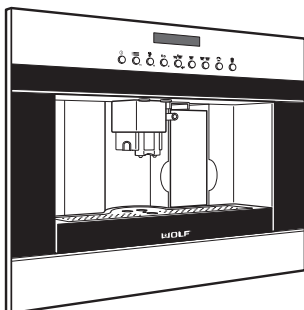


FEATURES

- Create perfectly brewed coffee, espresso, cappuccino, macchiato and latte at home.
- Standard or flush inset installation.
- Separate hot water dispenser for tea.
- Mounted glide system provides easy access to the unit, no direct water line is needed.
- Milk frothing pitcher with adjustable settings detaches for refrigerated storage and easy cleaning—milk does not enter the system.
- Uses either whole-bean or ground coffee with adjustable brew strength.
- Built-in coffee mill with adjustable grind settings.
- Auto on, auto off and descaling features.
- Install with a Wolf cup warming drawer to preheat cups, so hot beverages stay hot longer.



Model EC24/S

MODEL

Stainless

EC24/S

ACCESSORIES

- Descaling solution.
- Care kit.

Accessories available through an authorized Wolf dealer. For local dealer information, visit the find a showroom section of our website, wolfappliance.com.

SPECIFICATIONS

PRODUCT

Dimensions 23¹/₂"W x 17⁷/₈"H x 15¹/₂"D
 Weight 80 lb

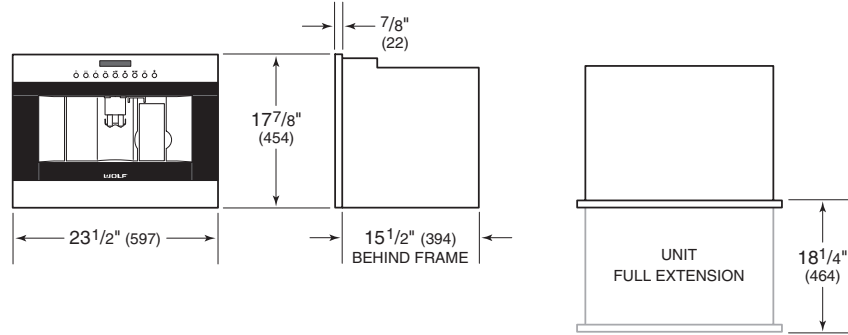
ELECTRICAL

Supply 120 VAC, 60 Hz
 Service 15 amp circuit
 Power Cord 6'

Specifications are subject to change without notice. Visit wolfappliance.com/specs for the most up-to-date information.

Dimensions may vary ±¹/₈" (3). Dimensions in parentheses are millimeters unless otherwise specified.

DIMENSIONS

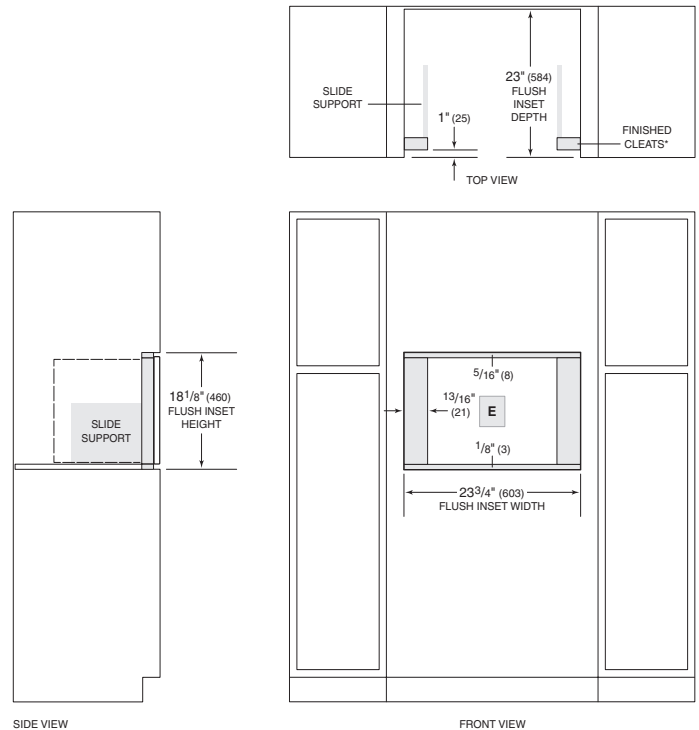


STANDARD INSTALLATION



NOTE: 24" (610) model and model with 30" (762) trim require the same opening dimensions. Dashed line represents profile of unit.

FLUSH INSET INSTALLATION



*Will be visible and should be finished to match cabinetry. Dashed line represents profile of unit.