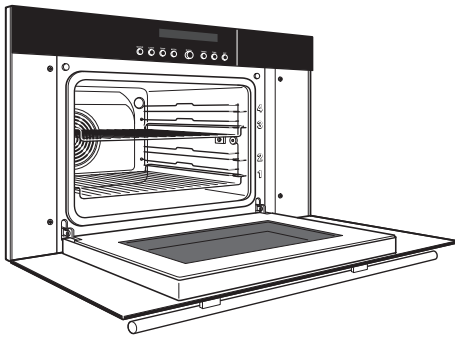


## FEATURES

- Black glass with tubular handle to match Wolf M series ovens and contemporary products.
- Standard or flush inset installation.
- Crafted of heavy-duty stainless steel.
- Combines convection and steam heat to achieve superior results.
- Convection with twelve cooking modes—steam, reheat, auto steam bake, convection, convection humid, convection steam, Gourmet, slow roast, recipes, my recipes, keep warm and cleanse.
- Gourmet and recipes modes for quick, convenient meal preparation.
- Operating time, delayed start and descaling features.
- Four-level rack guides with two adjustable oven racks.
- Large viewing window and halogen interior lighting.
- Temperature probe, perforated and solid stainless steel pans.



Model CSO30CM/B/TH

MODEL	
Contemporary	CSO30CM/B/TH



Interior (CSO24TE/S/TH shown).

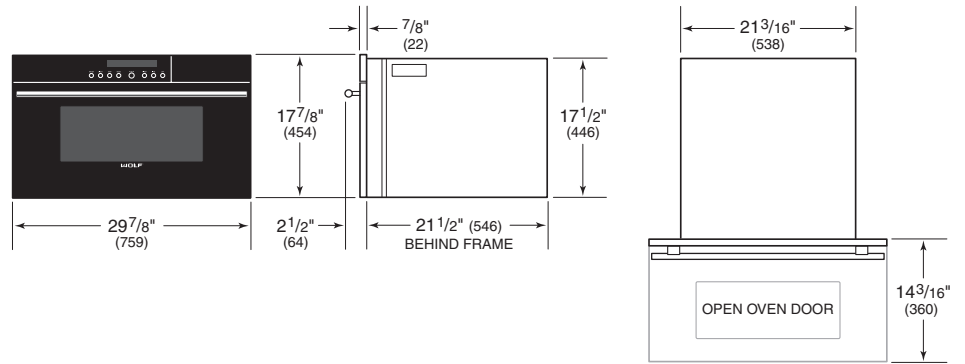
## ACCESSORIES

- Perforated stainless steel pans:  
 $12\frac{3}{4}'' \times 1\frac{1}{2}'' \times 7''$   
 $12\frac{3}{4}'' \times 2\frac{1}{2}'' \times 7''$   
 $17\frac{3}{4}'' \times 1\frac{1}{4}'' \times 15''$
- Solid stainless steel pans:  
 $12\frac{3}{4}'' \times 1\frac{1}{2}'' \times 7''$   
 $12\frac{3}{4}'' \times 1\frac{1}{4}'' \times 14''$   
 $17\frac{3}{4}'' \times 1\frac{1}{4}'' \times 15''$
- Porcelain baking sheet.
- Full-extension and standard oven racks.
- Descaling solution.

Accessories available through an authorized Wolf dealer. For local dealer information, visit the find a showroom section of our website, [wolfappliance.com](http://wolfappliance.com).

SPECIFICATIONS	
<b>PRODUCT</b>	
Dimensions	29 <sup>7</sup> / <sub>8</sub> "W x 17 <sup>7</sup> / <sub>8</sub> "H x 21 <sup>1</sup> / <sub>2</sub> "D
Weight	80 lb
<b>OVEN INTERIOR</b>	
Capacity	1.8 cu ft
Interior	17 <sup>7</sup> / <sub>8</sub> "W x 11"H x 15 <sup>3</sup> / <sub>4</sub> "D
<b>ELECTRICAL</b>	
Supply Service	240/208 VAC, 60 Hz 20 amp circuit
<b>POWER RATING</b>	
Maximum	3800 W

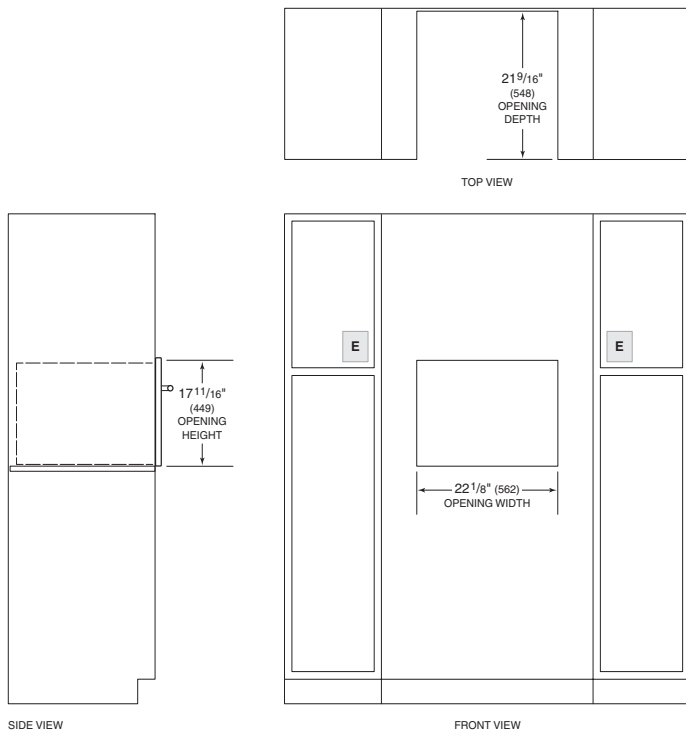
## DIMENSIONS



Specifications are subject to change without notice. Visit [wolfappliance.com/specs](http://wolfappliance.com/specs) for the most up-to-date information.

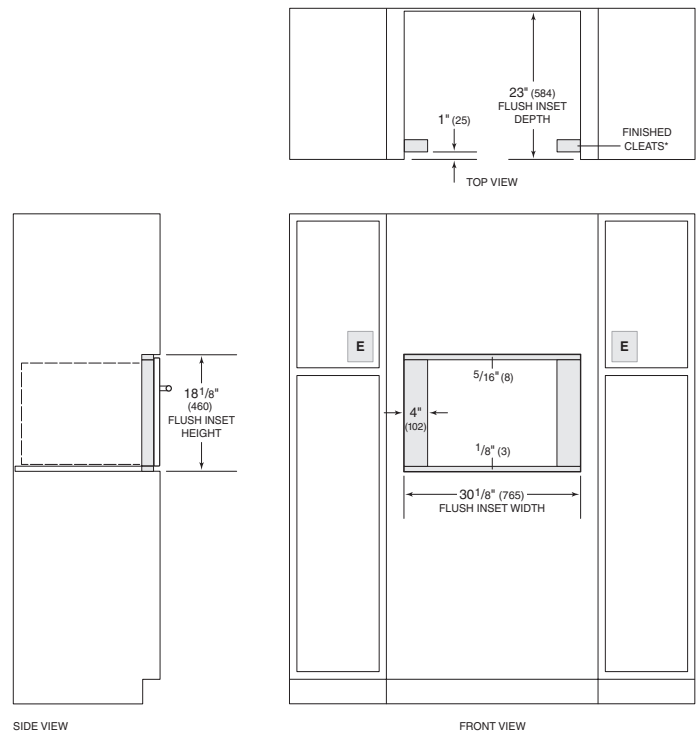
Dimensions may vary  $\pm 1/8$ " (3). Dimensions in parentheses are millimeters unless otherwise specified.

## STANDARD INSTALLATION



NOTE: 24" (610) and 30" (762) models require the same opening dimensions.  
Electrical supply must be located in adjacent cabinet within 3' (.9 m) of opening.  
Dashed line represents profile of unit.

## FLUSH INSET INSTALLATION



\*Will be visible and should be finished to match cabinetry.  
NOTE: Electrical supply must be located in adjacent cabinet within 3' (.9 m) of opening.  
Dashed line represents profile of unit.