

Marinator By Lyco

Lyco Sales LTD. *Serving the food industry since 1984*

Parts Manual

LT40
LT40-II

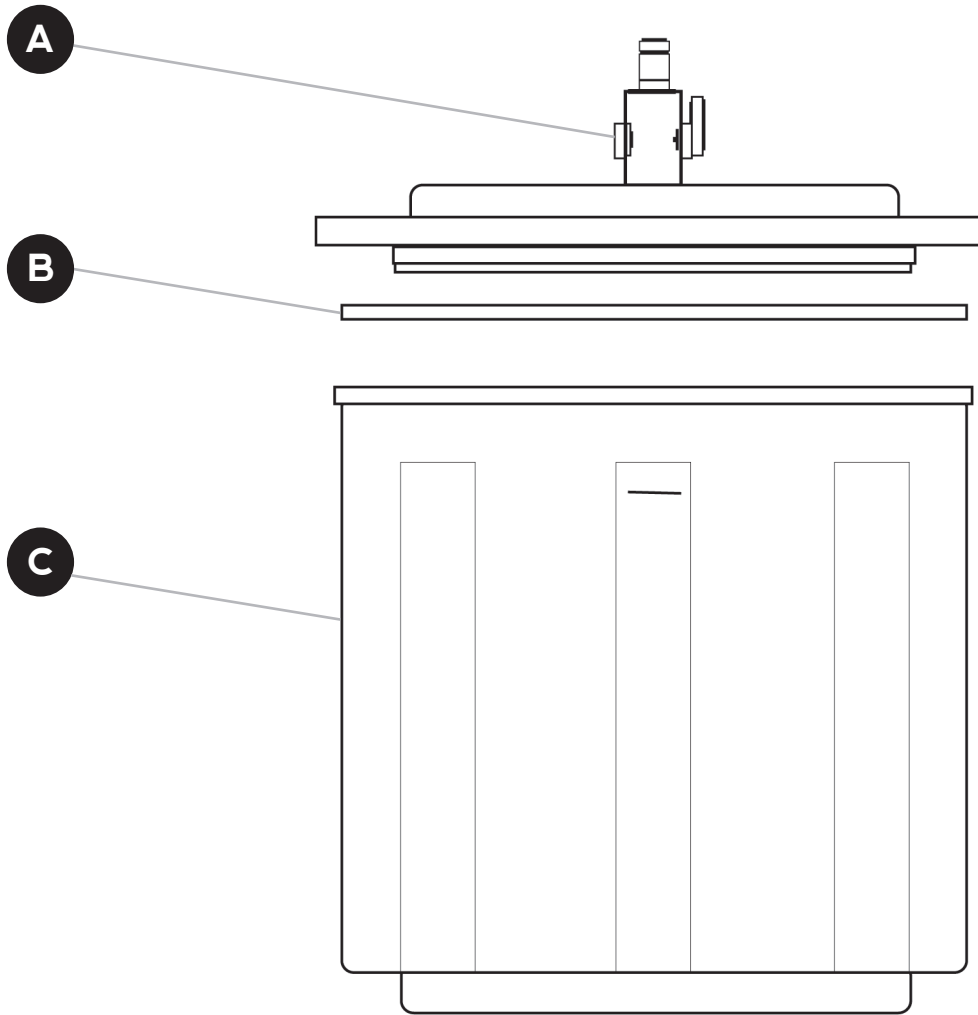
Revised August, 2021

Lyco Sales LTD.

Phone: 608-752-7626 Email: marinator@trilyco.com

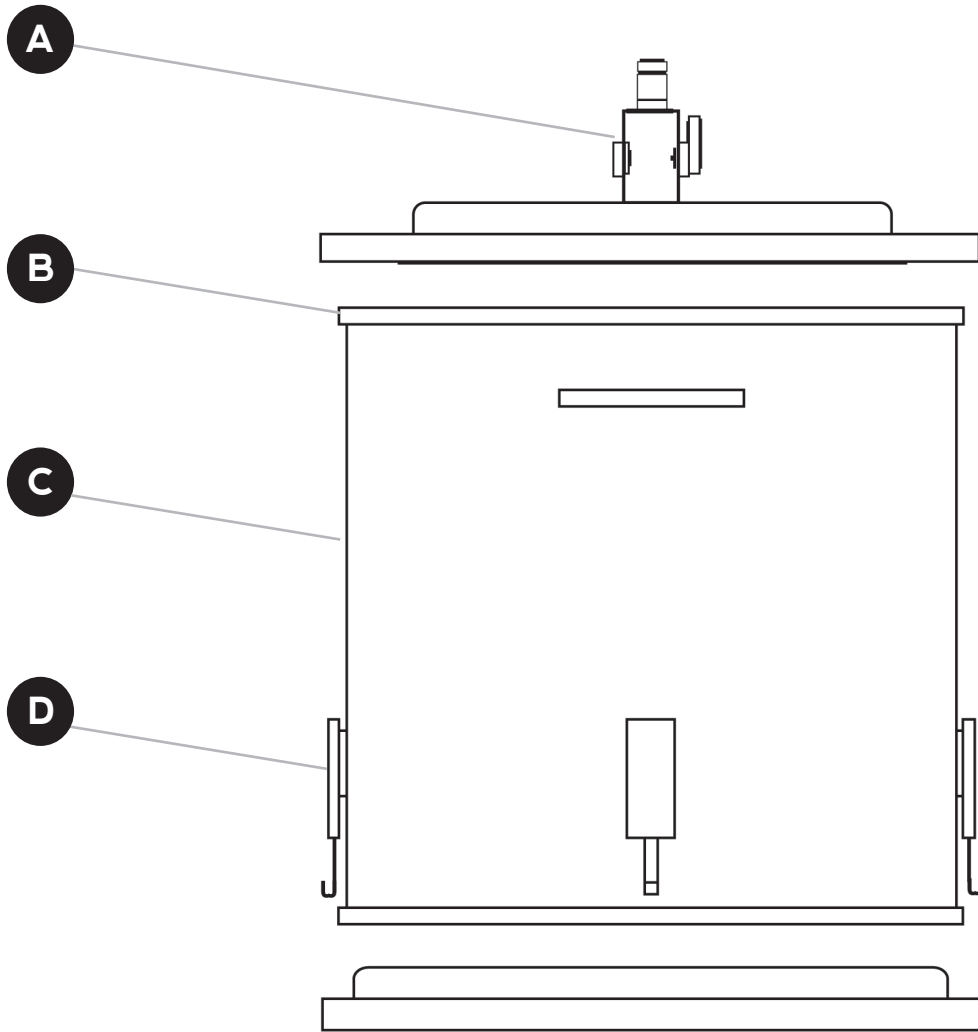
Revised: August 31, 2021

Lyco LT40 & LT40-II Polyethylene Drum



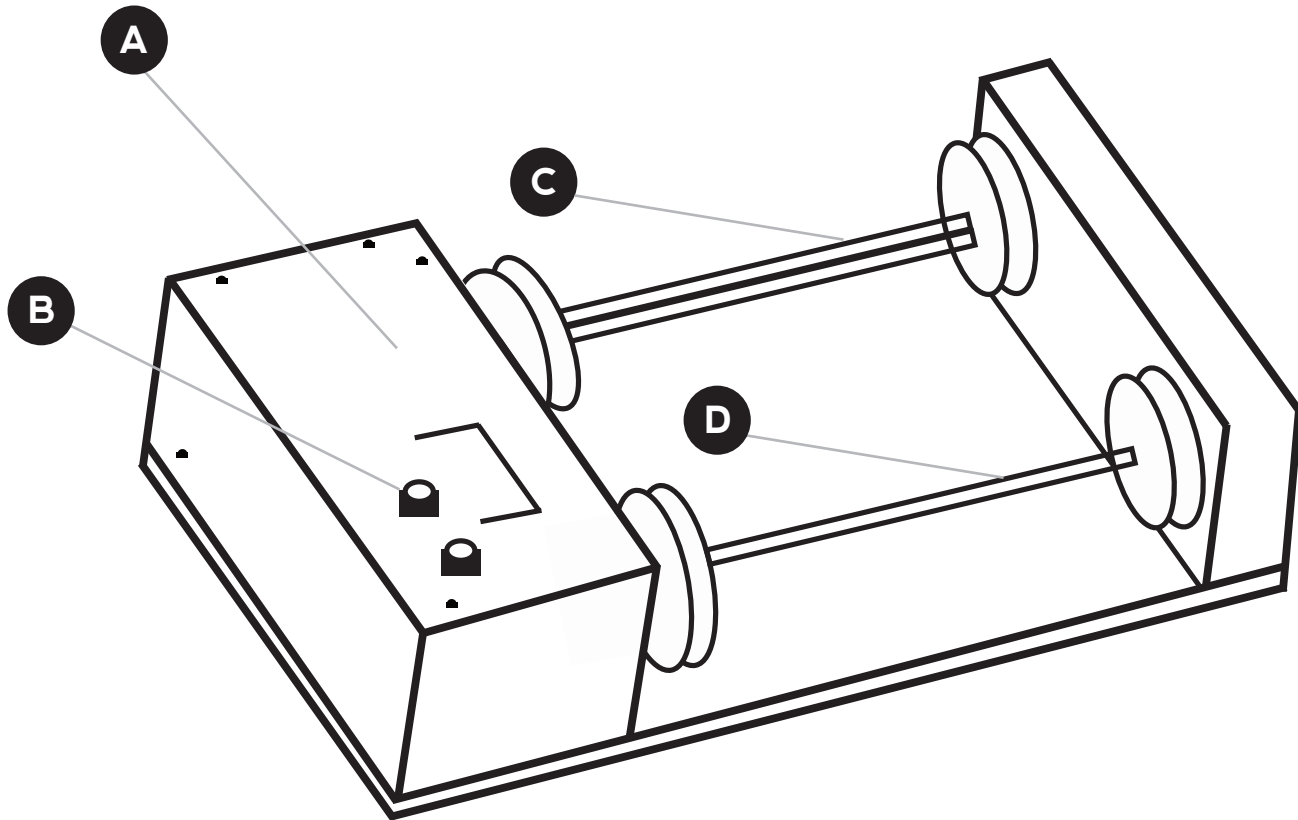
Part	Part Description	Part #	Price
A	Shut Off Valve	PS 405	\$ 34.00
B	Polyethylen Drum	P400	\$ 425.00
C	Polyethylene Drum Gasket	P40	\$ 25.00

Lyco LT40 & LT40-II Stainless Steel Drum



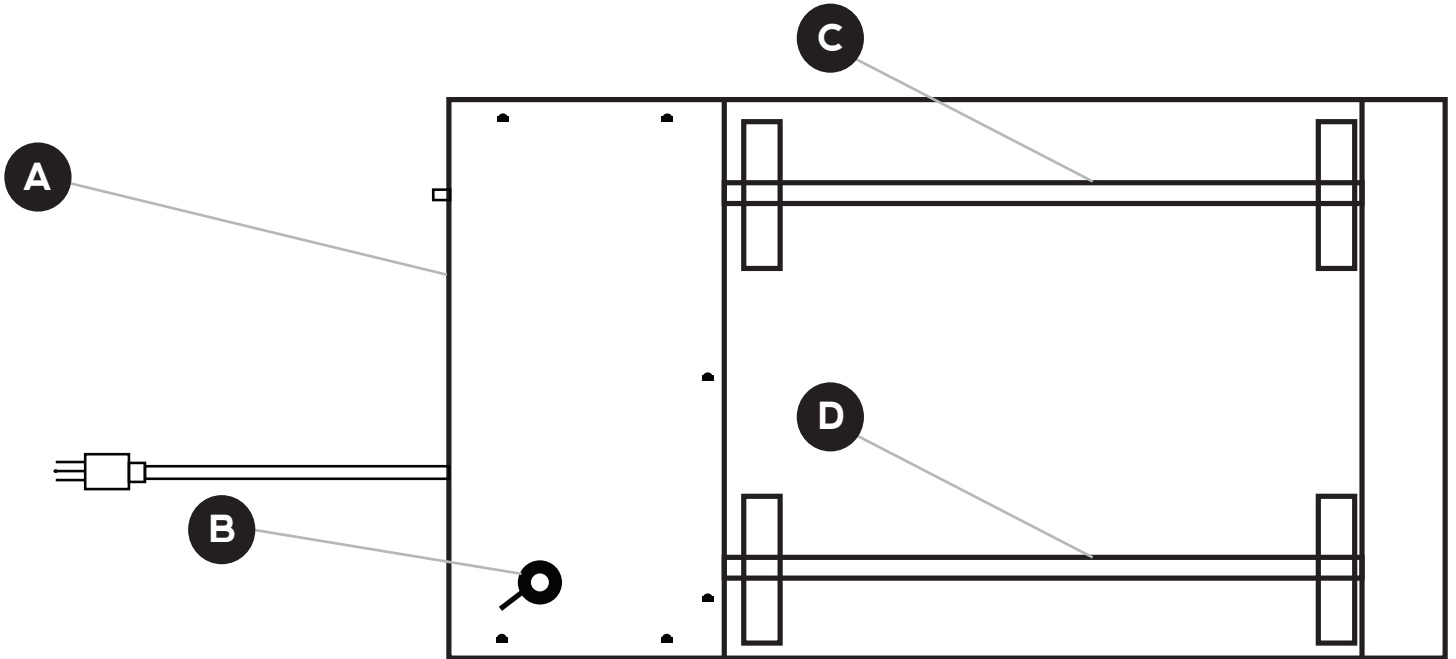
Part	Part Description	Part #	Price
A	Shut Off Valve w/ Coupling Nipple	PS 405	\$ 34.00
B	Stainless Steel Drum Gaskets (2)	S40	\$ 27.00 each
C	Stainless Steel Drum	S400	\$ 1,190.00
D	Stainless Steel Drum Latch	S403 A-C	\$ 35.00 each

Lyco LT40 Variable Speed Motor Assembly



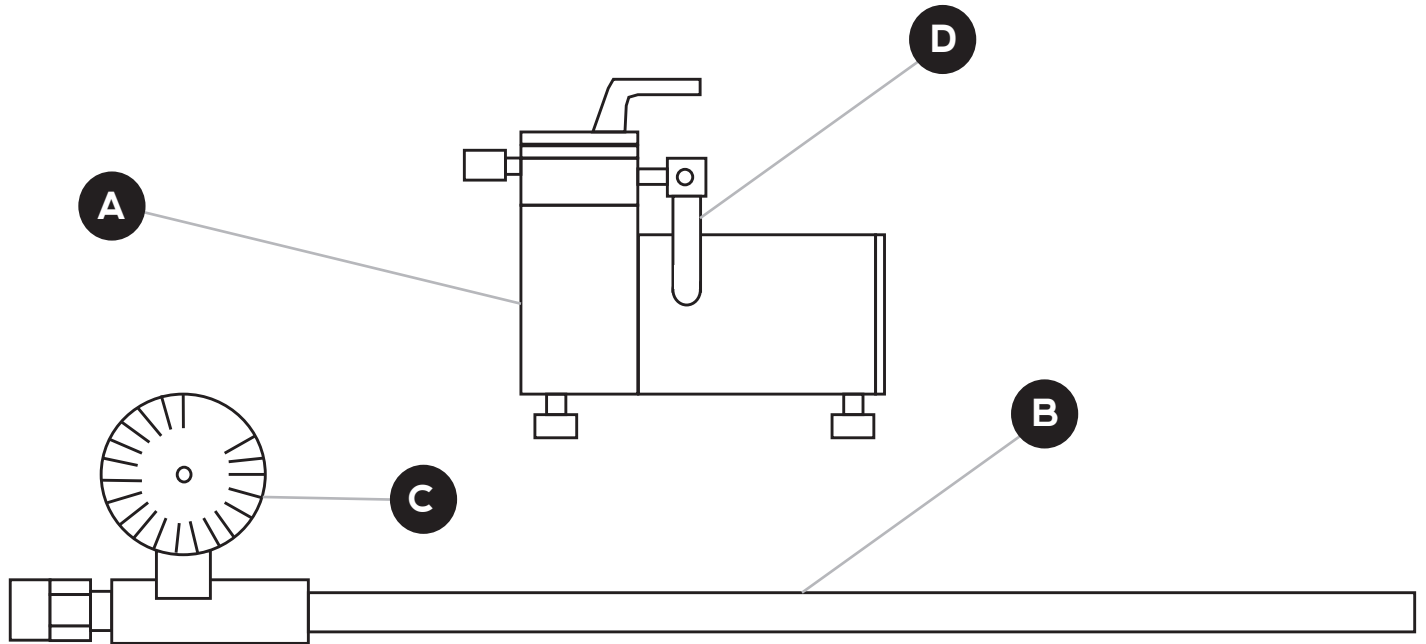
Part	Part Description	Part #	Price
A	Variable Speed Drive Motor	VS 402A	\$ 698.00
B	Timer Switch Assembly with Knob	B 404	\$ 108.00
C	Drive Shaft Assembly with Rollers	B 409	\$ 210.00
D	Driven Shaft Assembly with Rollers	B 410	\$ 210.00
	Roller Chain Assembly (Hidden)	B 411	\$ 10.00
	DC Control Board (Hidden)	VS 401	\$ 269.00

Lyco LT40 Single Speed Motor Assembly



Part	Part Description	Part #	Price
A	Single Speed Drive Motor	B 403	\$ 690.00
B	Timer Switch Assembly with Knob	B 404	\$ 108.00
C	Drive Shaft Assembly with Rollers	B 409	\$ 175.00
D	Driven Shaft Assembly with Rollers	B 410	\$ 175.00
	Roller Chain Assembly (Hidden)	B 411	\$ 10.00
	Sprockets (2) Hidden	B412	\$ 35.00

Lyco LT40 Hose Pump Assembly



Part	Part Description	Part #	Price
A	Vacuum Pump	V400	\$ 798.00
B	Vacuum Hose Assembly with Gauge & Coupler	V404 A-F	\$ 87.00
C	Vacuum Gauge	V404 A	\$ 26.00
D	Inlet Filter	V403	\$ 51.00