

# AMULET MANUFACTURING COMPANY, INC.

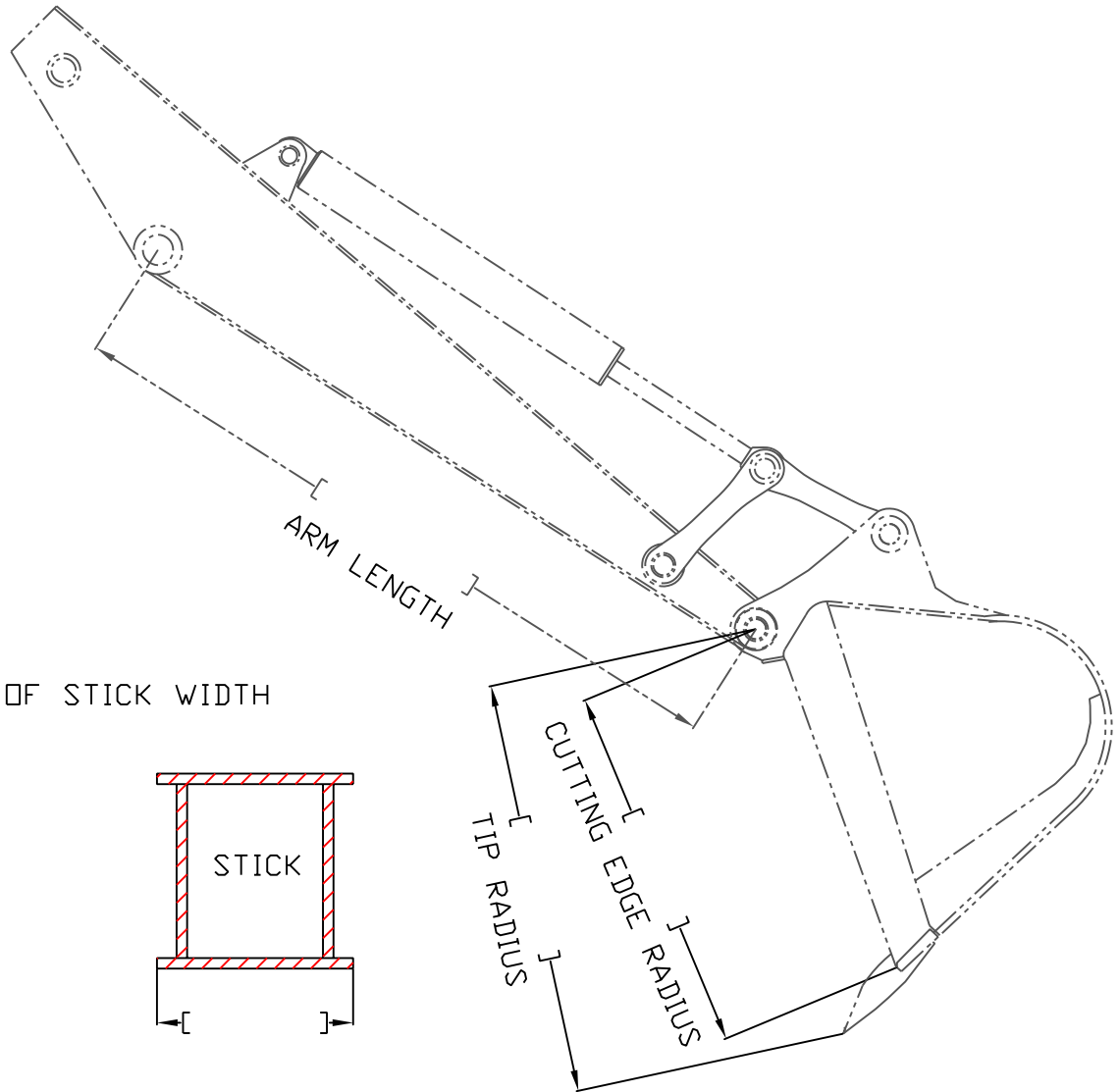
SALES DEPT.

DIPPER STICK PROFILE

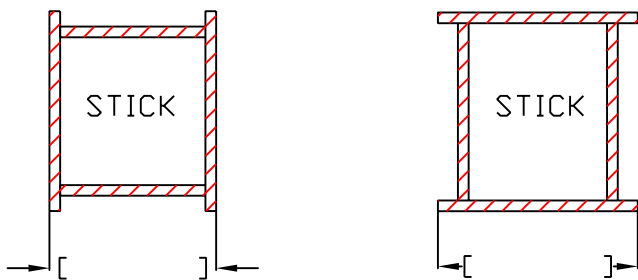
MACHINE MAKE/MODEL \_\_\_\_\_  
OPERATING WEIGHT \_\_\_\_\_

TODAY'S DATE \_\_\_\_\_  
COMPLETED BY \_\_\_\_\_

PLEASE FILL IN ALL DIMENSIONS FOR YOUR MACHINE.



BOTTOM OF STICK WIDTH



WHICH OF THESE TWO STYLES  
(DIPPER STICK BOX)  
FITS YOUR MACHINE?  
CROSS OUT ONE NOT APPLICABLE.

RIGHT SIDE VIEW