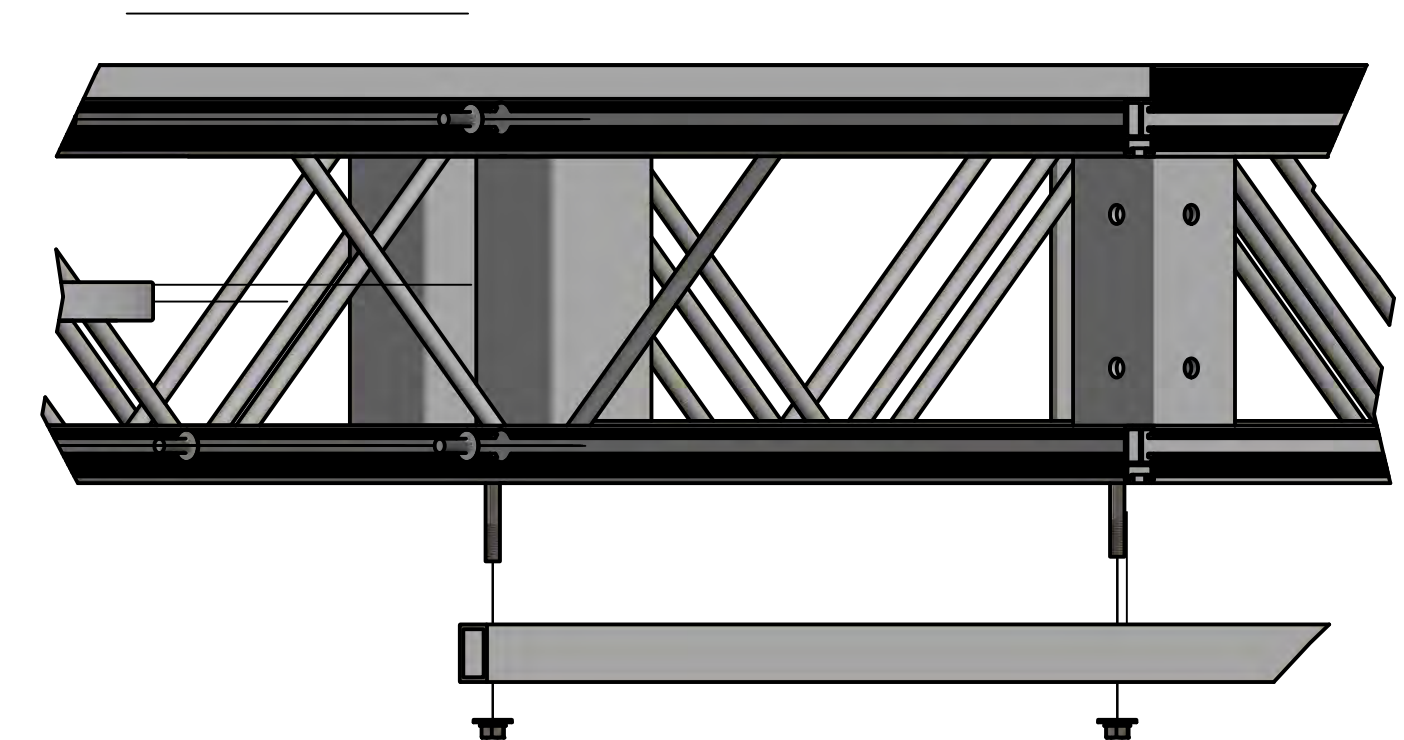
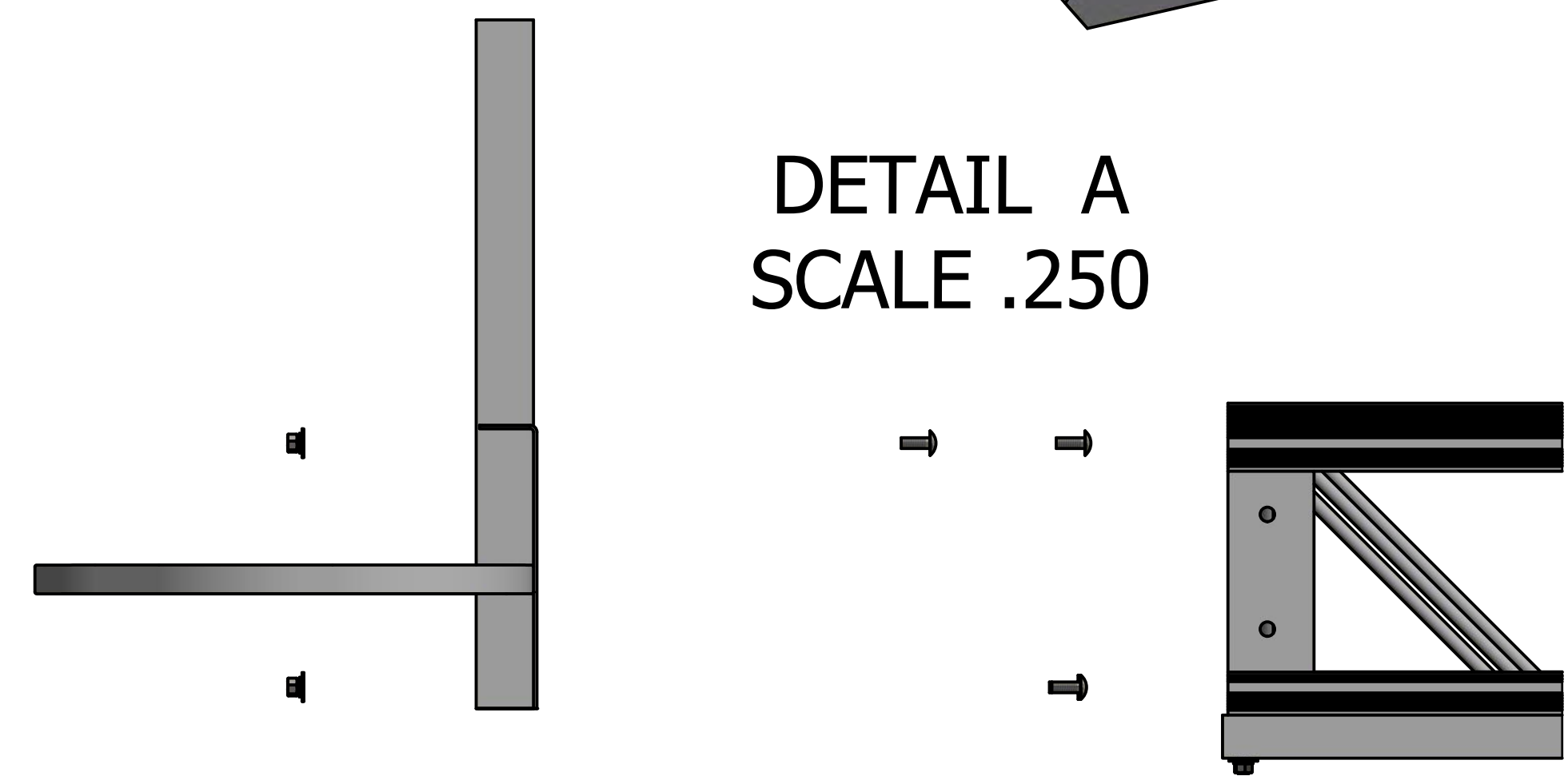


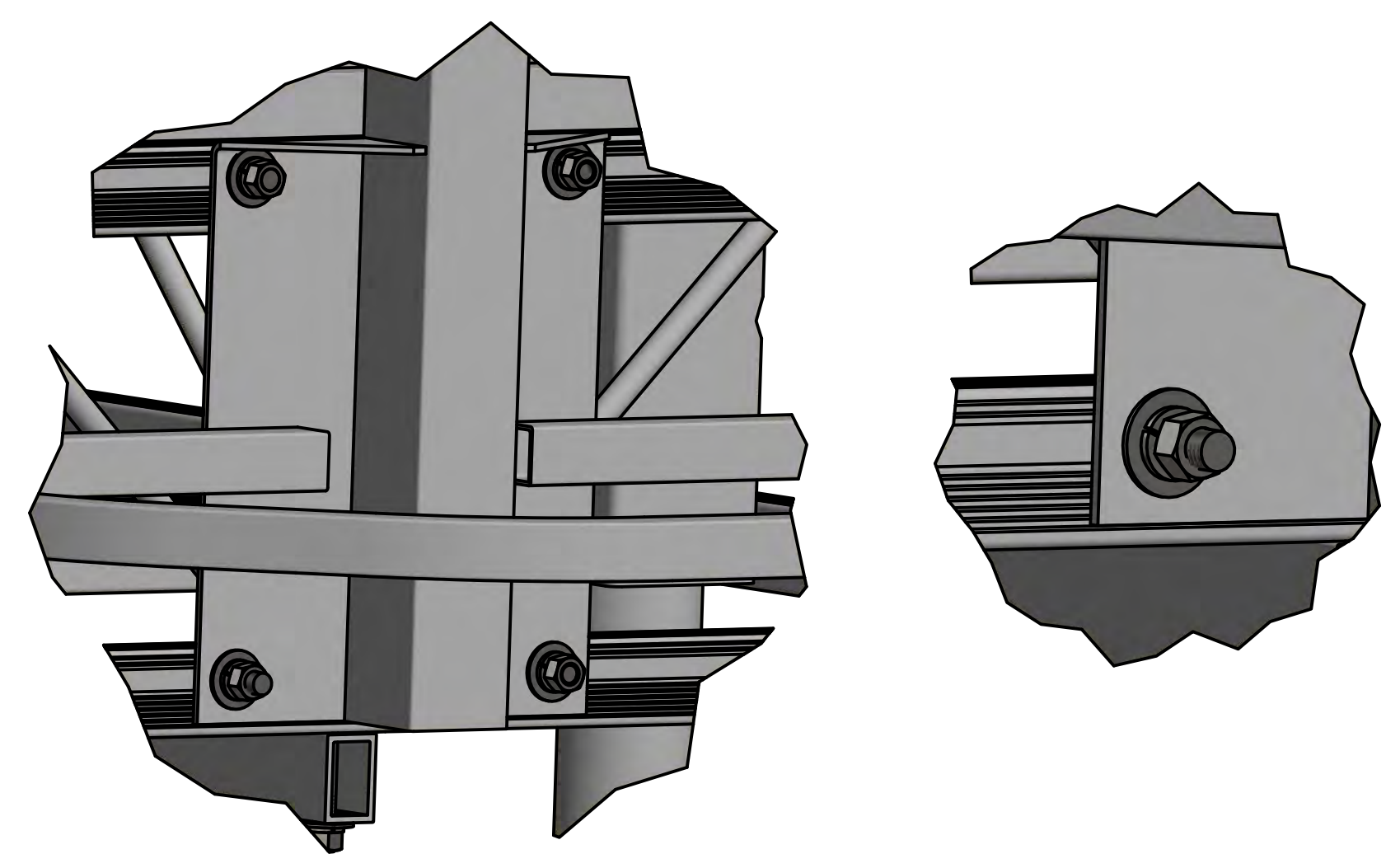
DETAIL B
SCALE 1 / 5



DETAIL A
SCALE .250



DETAIL C
SCALE .375



INSTALL THE SUPPORT BRACE ON THE BOTTON SIDE OF THE DOCK FRAME WHERE THE PATIO CHAIRS ARE TO BE LOCATED (DETAIL B).
 INSTALL THE PATIO SEAT MOUNTING BRACKET ON THE SIDE OF THE DOCK FRAME ON CENTER OF THE SUPPORT BRACE (DETAIL A &
 C.) THE TABLE WILL SLIDE OVER THE TOP OF THE DOCK AND POSITION TO THE DESIRED HEIGHT, TIGHTEN THE SET SCREW BELOW
 THE TABLE TOP. THE 2ND PATIO CHAIR IS TO BE INSTALL IN THE DESIRED LOCATION BY FOLLOWINF THE SAME PROCESS ABOVE.

DRAWN Joel Newman	6/1/2018	TITLE	
CHECKED		1DOCKPATIO	
QA		SIZE D	DWG NO 1DOCKPATIO
MFG		SCALE 0.09	REV
APPROVED		SHEET 1 OF 1	