



D Series Wall & Pole Mount

For outdoor and indoor installations

The 316L Stainless Steel SD-WM Wall Bracket is used mounting the D Series Cameras to the wall. The 316L Stainless Steel SPMA-SD Pole Mount Adapter is used in combination with the SD-WM to adapt mounting to poles up to 6" Diameter.

- > For outdoors and indoors – walls and poles
- > Flexibility – covers many different camera types
- > Resistant to corrosion
- > Sturdy and safe

2 Mounting positions Inverted or Upright **SD-WM**

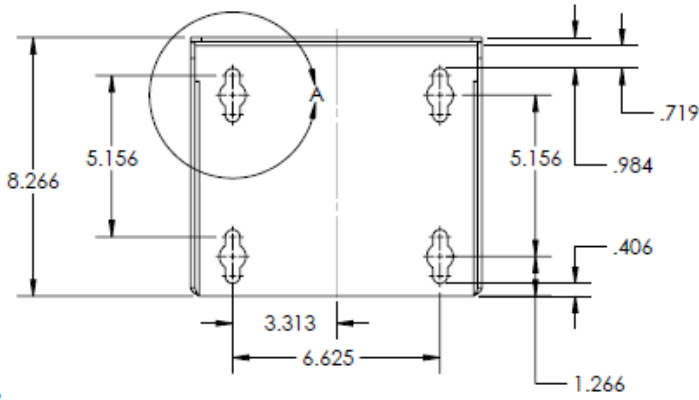


SPMA-SD

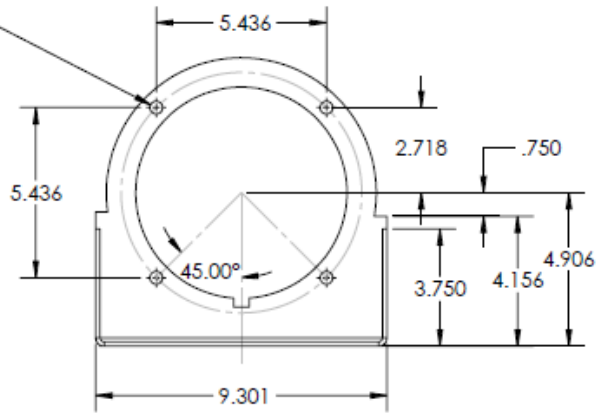


Dimensions

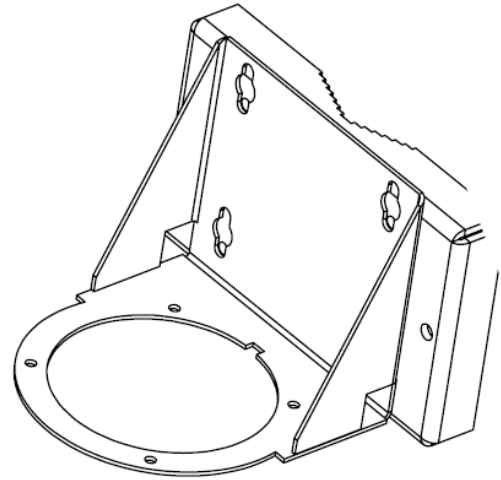
SD-WM



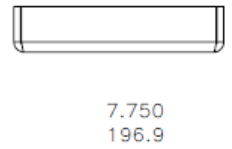
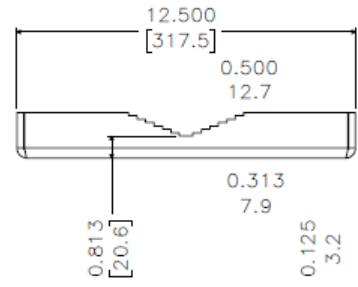
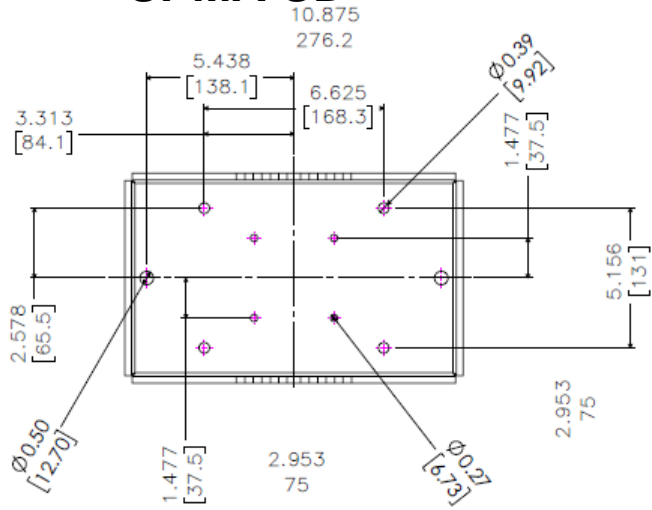
Ø .406
THRU
TYP. 4 PLACES
90° APART



SD-WM & SPMA-SD



SPMA-SD





D Series Vibration & Corner

For outdoor and indoor installations

The 316L Stainless Steel SD-VM Vibration Mount is used mounting the D Series Cameras to isolate vibration. The 316L Stainless Steel Corner Mount Adapter is used in combination with the SD-WM to mount onto corners

- > For outdoors and indoors – walls and poles
- > Flexibility – covers many different camera types
- > Resistant to corrosion
- > Sturdy and safe

SD-VM

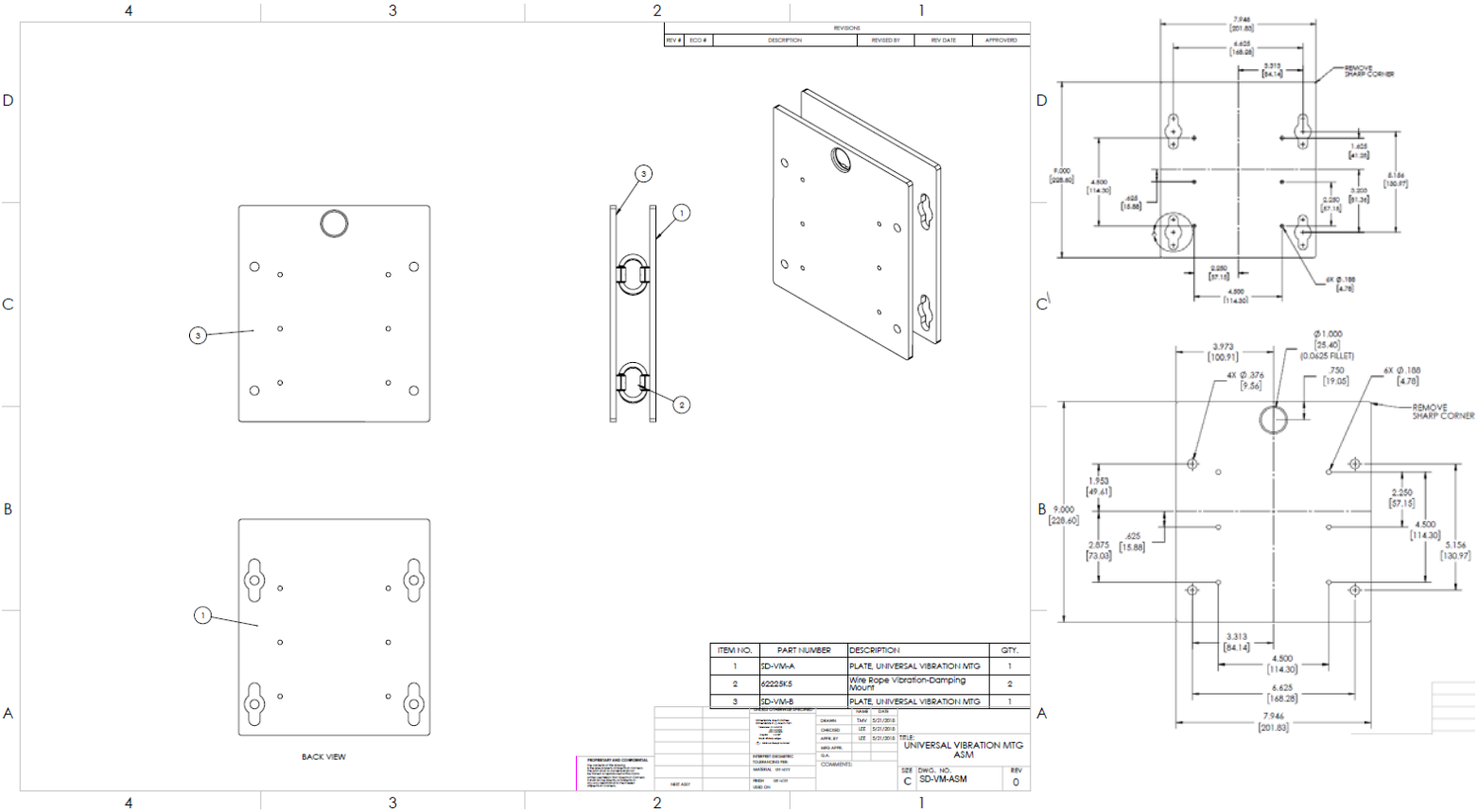


SD-CM

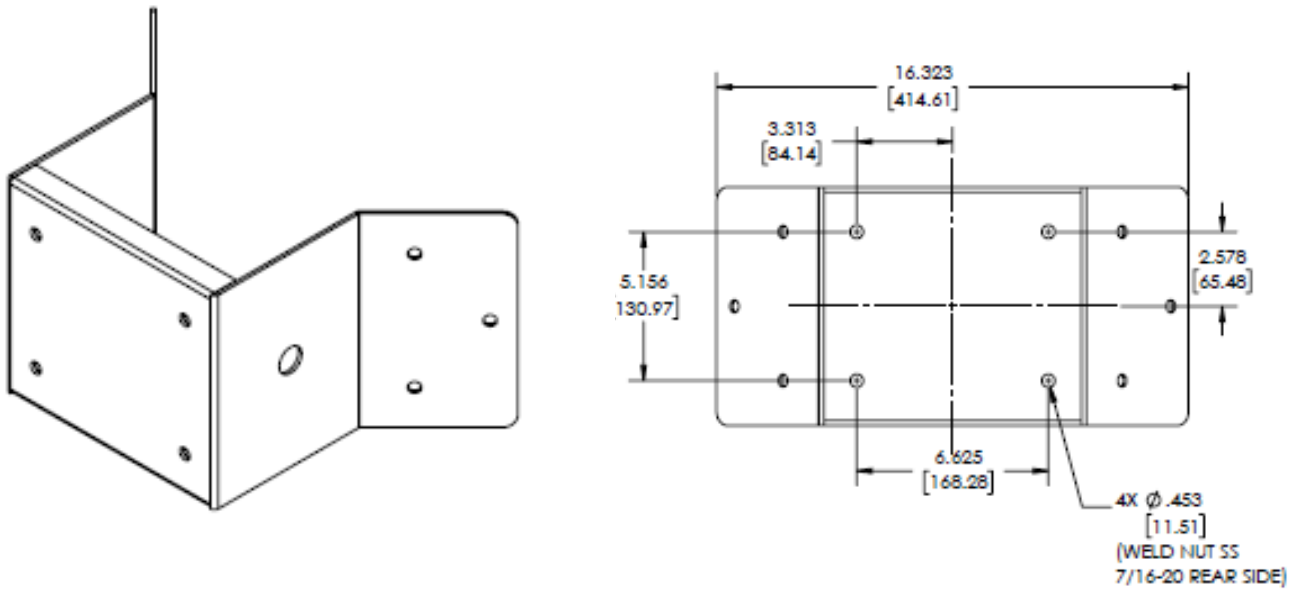


Dimensions

SD-VM



SD-CM





D Series Stand-off & Lanyard

For outdoor and indoor installations

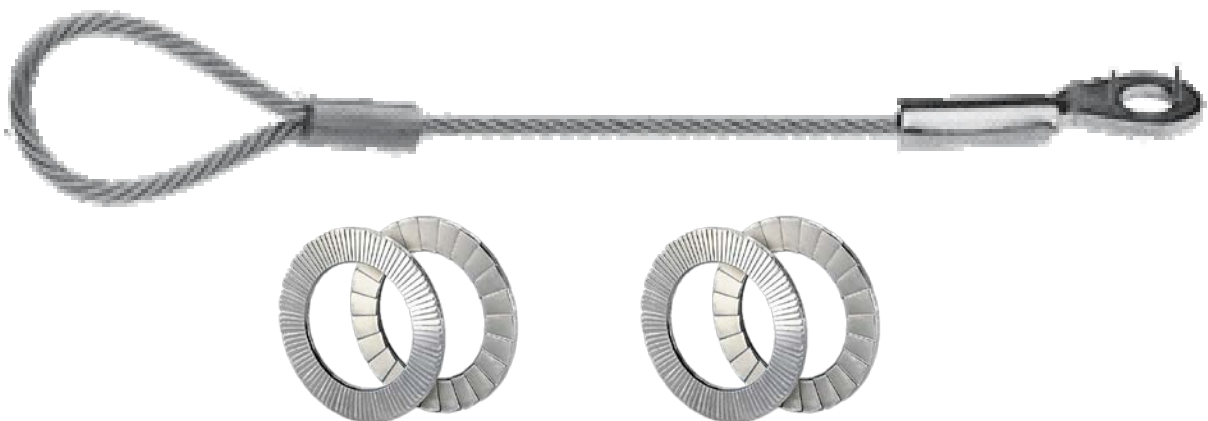
The 316L Stainless Steel SD-SO stand off is used mounting the D Series Cameras mount camera away from wall further. The 316L Stainless nylon coated lanyard SD-FP kit is secondary retention API DROP Compliant with 6FT of cable and wedge locking washers

- > For outdoors and indoors – walls and poles
- > Flexibility – covers many different camera types
- > Resistant to corrosion
- > Sturdy and safe

SD-SO

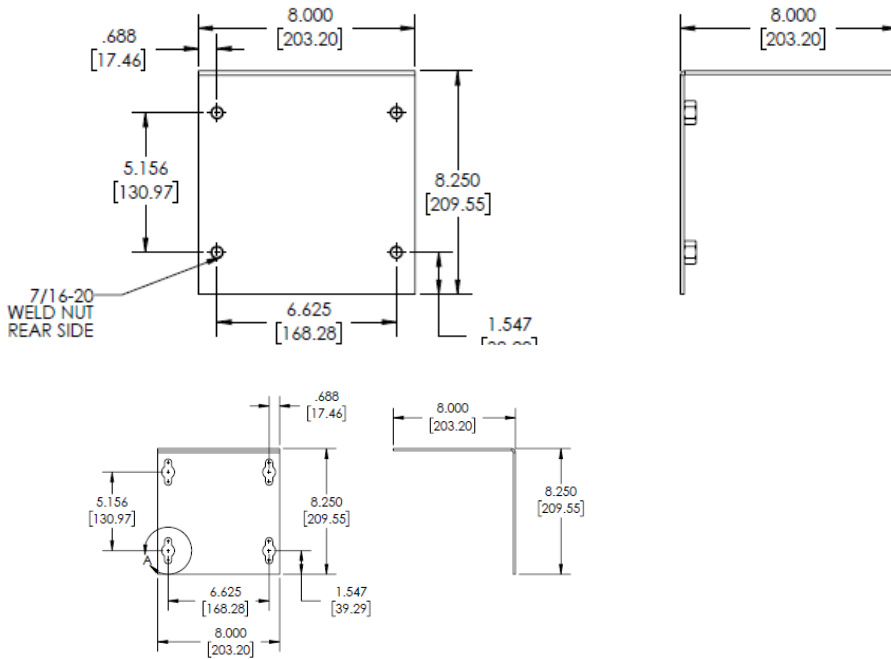


SD-FP

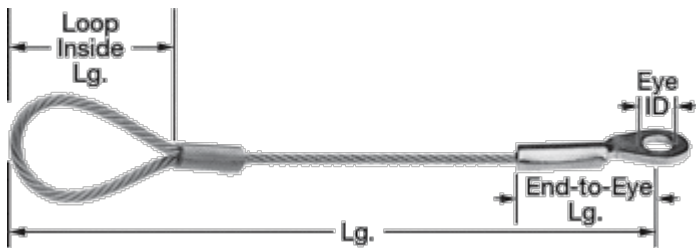


Dimensions

SD-SO



SD-FP



Rope

Material 18-8 Stainless Steel

Diameter 3/16"

Construction 7×19

Length 6 ft.

Loop

Inside Length 1 1/4"

Sleeve Material 18-8 Stainless Steel

Eye

End-to-Eye Length 2 3/8"

Thickness 13/64"

ID 1/2"

For Screw Size 1/2"

Material 18-8 Stainless Steel

Capacity 700 lbs.

Temperature Range -40° to 200° F

Rope Coating Nylon

Application Not for Lifting

Attachment Type Loop-to-Eye

RoHS Compliant



EXAMPLES

For outdoor and indoor installations

