



PROJECT: _____
 ITEM NUMBER: _____ QTY: _____



Model IBS-1660-60-31-60

ICE BINS

MODELS

SINGLE HOPPER BINS

- IBS-710-30-31-52
- IBS-1060-38-31-62
- IBS-1000-48-31-48
- IBS-1170-56-31-48
- IBS-1500-56-31-60
- IBS-1660-60-31-60
- IBS-2300-60-31-60

DOUBLE HOPPER BINS

- IBD-2115-72-40-50
- IBD-2245-72-48-46
- IBD-2655-72-40-62
- IBD-3240-72-48-62
- IBD-3940-72-48-81
- IBD-4640-72-48-94
- IBD-4872-96-48-74

OPTIONS

- CL 6" High S/S Adjustable Legs
- SHV Factory Installed Ice Shovel Brackets
- SPRD Ice Spreader
- M Modified - Custom

STANDARD FEATURES

- All Heliarc welded construction
- All 18-Gauge, Type 304 stainless steel interior and exterior
- Easy clean bin with 3/8" radius interior corners
- CFC-Free "shot-in-place" insulation
- Heavy duty stainless steel hopper with self locking system
- Heavy duty compression gasket
- Viewing window(s)

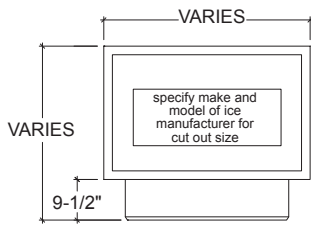


INFINITY KITCHEN PRODUCTS, INC.

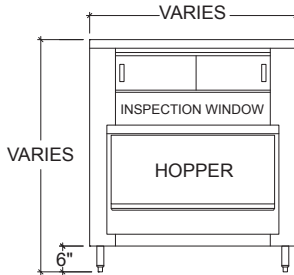
7750 Scout Ave. • Bell Gardens, CA 90201
 Toll Free: (855) 737-4688 • Ph: (562) 806-5771 • Fax: (562) 806-6771
 infinitystainless.com • customerservice@infinitystainless.com

Proudly Made in America

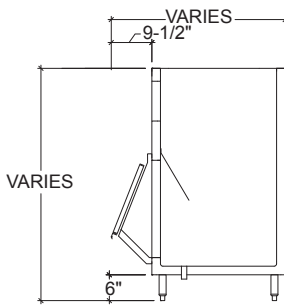
ICE BINS



PLAN

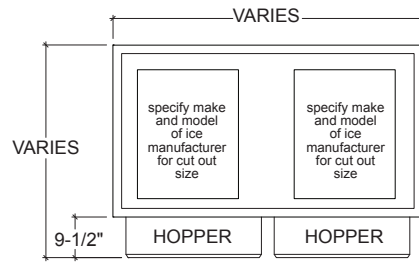


ELEVATION

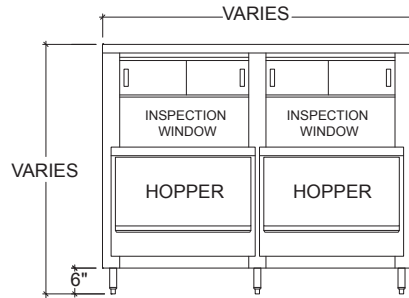


SECTION

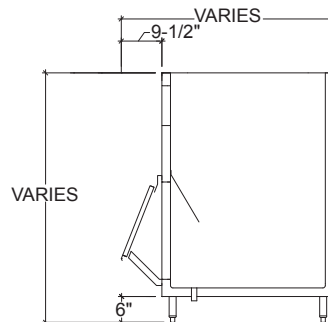
MODEL SHOWN: IBS-1000-48-31-62



PLAN



ELEVATION



SECTION

MODEL SHOWN: IBD-2115-72-40-50

SINGLE HOPPER BINS

MODEL NO.	LENGTH	DEPTH (Less Hopper)	DEPTH (with Hopper)	HEIGHT (Less Legs)	ICE CAPACITY	SHIP WEIGHT
IBS-710-30-31-52	30"	31"	40-1/2"	52"	710#	520
IBS-1060-38-31-62	38"	31"	40-1/2"	62"	1060#	645
IBS-1000-48-31-48	48"	31"	40-1/2"	48"	1000#	745
IBS-1170-56-31-48	56"	31"	40-1/2"	48"	1170#	795
IBS-1500-56-31-60	56"	31"	40-1/2"	60"	1500#	970
IBS-1660-60-31-60	60"	31"	40-1/2"	60"	1660#	1065
IBS-2300-60-31-60	60"	31"	40-1/2"	60"	2300#	1170

DOUBLE HOPPER BINS

MODEL NO.	LENGTH	DEPTH (Less Hopper)	DEPTH (with Hopper)	HEIGHT (Less Legs)	ICE CAPACITY	SHIP WEIGHT
IBD-2115-72-40-50	72"	40"	49-1/2"	50"	2115#	650
IBD-2245-72-48-46	72"	48"	57-1/2"	46"	2245#	725
IBD-2655-72-40-62	72"	40"	49-1/2"	62"	2655#	766
IBD-3240-72-48-62	72"	48"	57-1/2"	62"	3240#	935
IBD-3940-72-48-81	72"	48"	57-1/2"	75"	3940#	980
IBD-4640-72-48-94	72"	48"	57-1/2"	88"	4640#	1090
IBD-4872-96-48-74	96"	31"	40-1/2"	68"	4872#	1140

Proudly Made in America