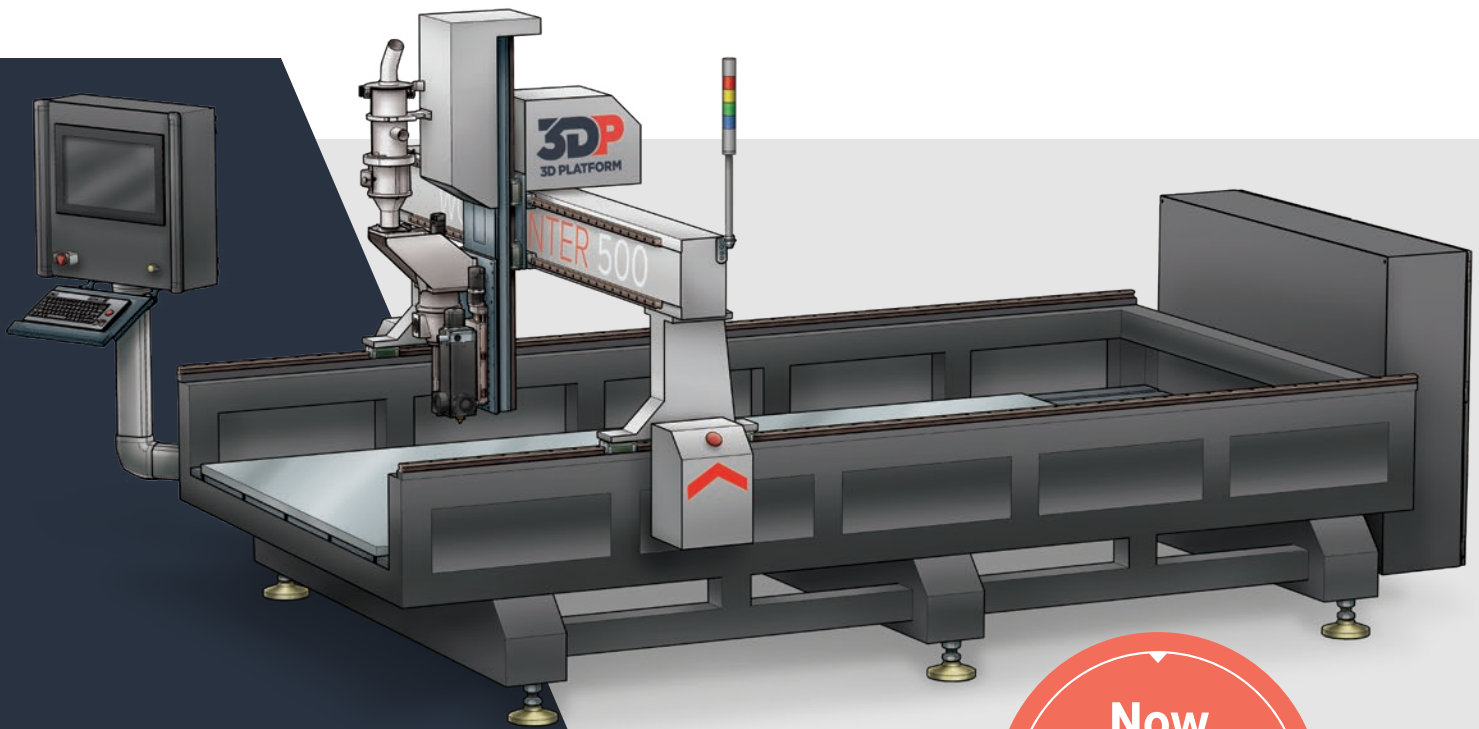


# WORKCENTER 500

Extra-Large Format Additive Manufacturing System



THINK **Beyond**  
PRINT | **BIG**  
SAVE |  
The most trusted open market 3D printer

Now  
Accepting  
Orders!

- ▶ **Extra-Large Work Area** of 1400 mm x 2800 mm x 700mm (2.7 m<sup>3</sup> of print volume)
- ▶ **Spool and Pellet Fed Extruders** Allow for throughput rates from 1 kg/hr up to 6.8 kg/hr (15 lb/hr)
- ▶ **Fortune 100** Brands Trust 3DP

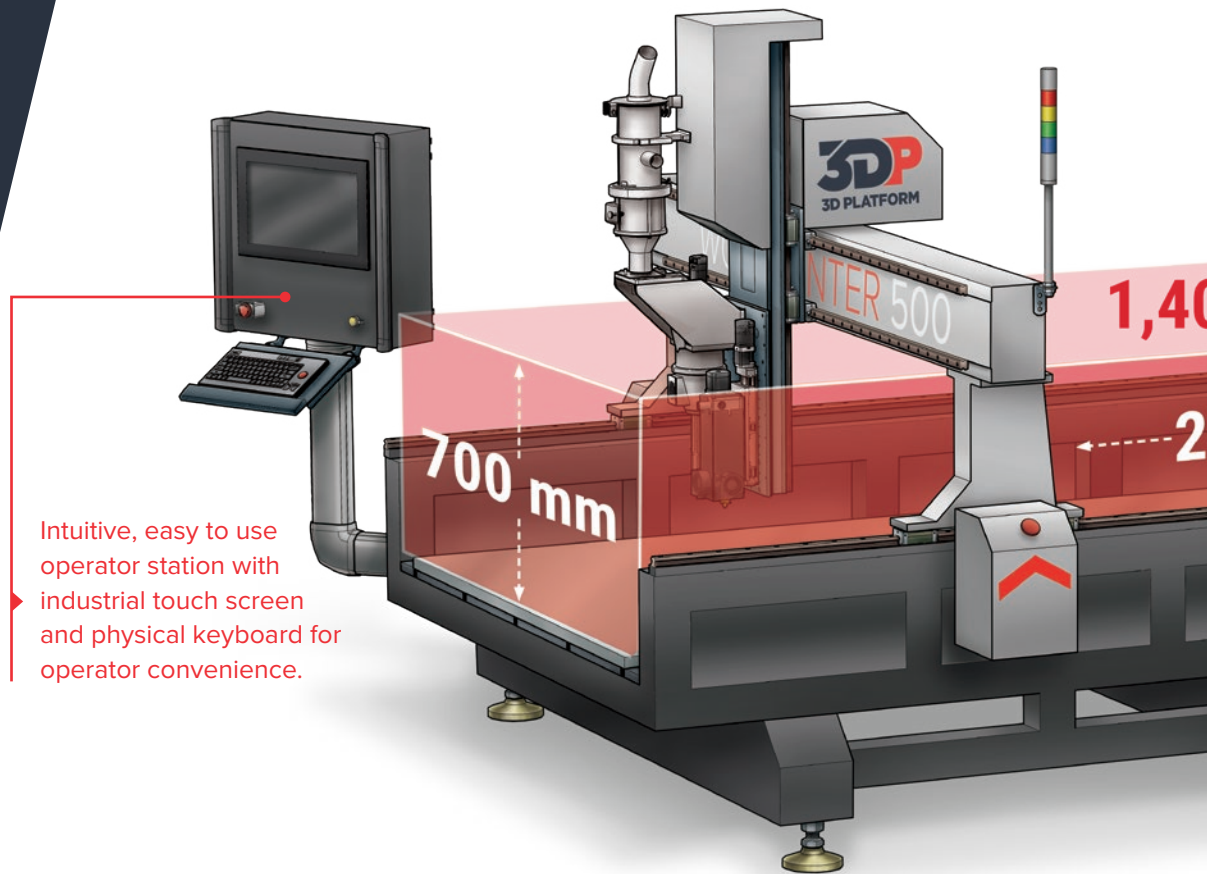
**3DP**  
3D PLATFORM

THINK  
PRINT  
SAVE } **Beyond  
BIG**  
The most trusted open market 3D printer

At 3D Platform, we are committed to making your biggest ideas a reality. As a global leader in manufacturing **LARGE FORMAT** industrial strength 3D printers, our team is focused on driving advancements in technology to innovate, design and build next-generation equipment for additive manufacturing at an **AFFORDABLE** price.

### THE MOST TRUSTED OPEN MARKET 3D PRINTER

When top industry leaders are looking to stay competitive in a demanding market, 3D Platform is who they call. We are trusted by design needs of the most innovative ideas. Recognized worldwide, our global distribution network supported by Certified Service Providers has helped us deploy more large-format, open market 3D printers than anyone else. **That's Big.**



Intuitive, easy to use operator station with industrial touch screen and physical keyboard for operator convenience.

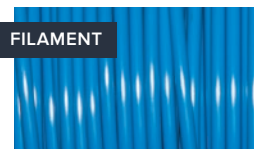
1,400 W x 2,800 L x 700 H Print Area

Starting at \$199,999 USD

## More Choices. More Savings. Our Open-Market Advantage.

When it comes to maximizing innovation and value for our customers, our Open-Market Advantage gives you the ability to choose from a wide variety of open-market **filament / pellets** and **software** that can deliver up to a **90% savings** on your investment. The WorkCenter machine is the only extra-large format 3D Printer that gives you the choice of pellet or filament extruders – or both!

FILAMENT



PELLETS



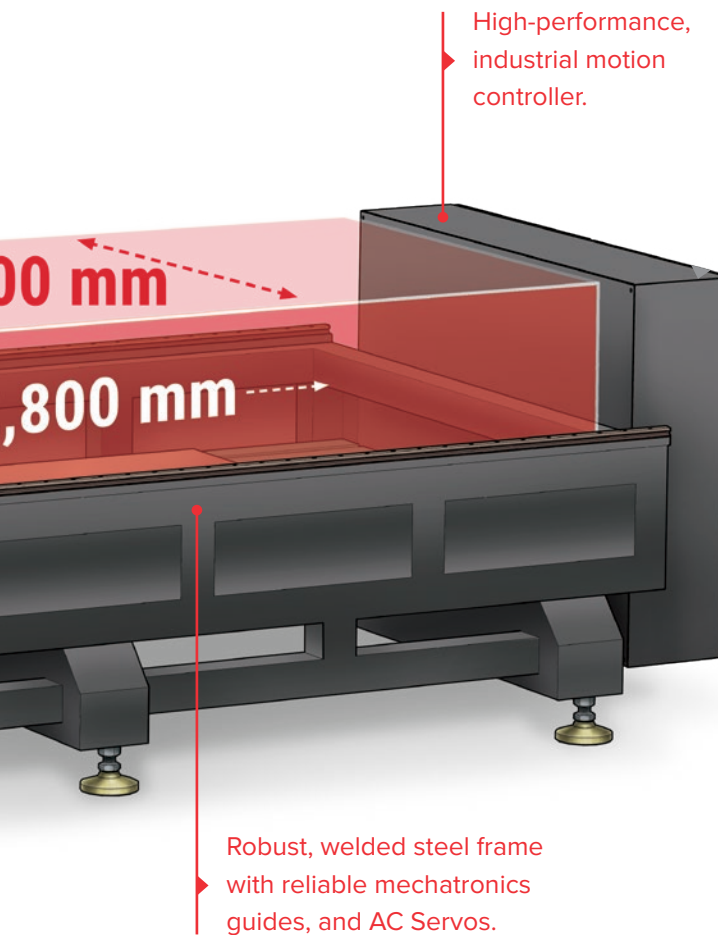
# WORKCENTER 500

## The Most Affordable Extra-Large Format Machine

### Breaking Through Barriers of Size, Throughput *and* Cost

We design products that push the limits of innovation. Our focus on size, speed, flexibility, and durability is meant to help expand your business capabilities.

*Why choose 3D Platform?* Because your **BIGGEST** ideas should become reality.



### ▶ EXTRA-LARGE FORMAT

- Fused Filament Fabrication (FFF) type 3D printer with an extra-large build volume of **1.4 m x 2.8 m x 700 mm**
- The only machine on the market in this category to provide the option of **pellet or filament** extruder(s) – or both!
- Throughput rates from 1.3 kg/hr to more than 6.8 kg/hr!

### ▶ OPEN MARKET SOLUTION

- Leverage the power and resources of thousands of worldwide organizations to bring your solutions to life more quickly and affordably
- No proprietary solutions. No closed eco-systems that limit additive manufacturing capabilities.

### ▶ AFFORDABILITY

- Designed from the ground-up
- Capitalize on the cost-effective open-market advantage: an affordable purchase price and lower operating costs lead to a **faster ROI**.
- Up to **90% savings** using open market materials and software.

### ▶ ROBUST

- Industrial strength design delivers superior performance and reliability.

## Scalable Extruder Size

Choose the High-Volume Extruder (HFE) system that fits your application. Options range from 1.3 kg/hr to more than 6.8 kg/hr (15 lb/hr).



Now  
Accepting  
Orders!

Prototype machine shown. Specifications subject to change with or without notice.

# Specifications

Printer Type	
Fused Filament Fabrication (FFF)	
Price	
Base Sales Price (MSRP)	\$199,999 Base price includes 1 HFE extruder. Contact factory for a quote on other options.
Availability	
Shipments starting late 2019	
Size	
Build Volume	
X -Axis	1,400 mm
Y -Axis	2,800 mm
Z -Axis	700 mm
Total volume	2.744 m <sup>3</sup>
Print Process Attributes	
Extruders	
# of Extruders	1 or 2
Extruder options	HFE or Pellet
Material Format / Size	Filament / 2.85 mm
Min Nozzle Size	1.00
Max Nozzle size	8 mm
Max Volumetric Output	Up to 6.8 kg/hr (15 lb/hr) <sup>1</sup>
Maximum Extruder Temperature	295°C (pellet = 500°C)
Print Bed	
Material	Aluminum
Max Bed Temp	145°C
Bed Leveling	Automated
Compatible Slicers	Simplify 3D
Materials	
Pellet materials	
ABS/CF, ABS/GF, PETG/GF, PC/CF, PA12/CF, PPO/CF, PLA/Wood Fiber, PA6/CF	
Specialty Material	Consult Factory
Control and Features	
Display	19 inch Industrial Touch Screen
Motion Controller	
Contoller	Yaskawa
Motor Type	AC Servo with Absolute Encoders
Power Input	
Voltage & Frequenc	208-240V, 50/60 Hz, 3 Phase
Current	100A Service Required
Certification	CE and UL (pending)
Mechanical	
Overall Width of Machine	2.5 m (Excludes space for operator command station)
Overall Length of Machine	4 m
Overall Height of Machine	3.1 m

1. Volumetric output listed is for unfilled PLA. Actual output will depend on many factors, including but not limited to: print geometry, nozzle diameter, material fill percentage, processing temperature, and material density.

# Extruder Choices

## Pellet Fed 3D Printer Extruder

The WorkCenter is the only extra-large format 3D Printer that offers the choice of a pellet or filament system – or both!



## HFE 900 3D Printer Extruder

\$9,999

The (High Flow Extruder) HFE 900 offers 16x more volumetric throughput compared to the industry baseline, volcano extruder.

- Fastest spool-fed extruders on the market
- 16x the volumetric throughput of 3DP's previous generation of extruders
- Produce maximum output with high reliability
- Uses world's largest, spool-fed filament: 6 mm
- **Volume / Second:** 273 mm<sup>3</sup>/s (59.9 in<sup>3</sup>/hr)
- **Volume / Hour:** 60.0in<sup>3</sup>/hr
- **Nozzle Sizes:** 1.2 mm, 1.8 mm, 2.4 mm, 3.6 mm, 4.8 mm

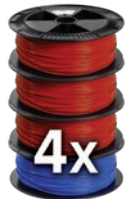


## HFE 300 3D Printer Extruder

\$4,999

The (High Flow Extruder) HFE 300 offers four times the volumetric throughput compared volcano extruder, and offer customers the flexibility to change extruders depending on their application and purpose.

- Quadruple the volumetric throughput of 3DP's previous generation of extruders
- Produce maximum output with high reliability
- Uses commercially available 2.85 mm filament
- **Volume / Second:** 70mm<sup>3</sup>/s (15.38 in<sup>3</sup>/hr)
- **Volume / Hour:** 15.4in<sup>3</sup>/hr
- **Nozzle Sizes:** 1.2 mm, 1.8 mm, or 2.4 mm



3DPLATFORM.COM



3DPlatform™

6402 East Rockton Road | Roscoe, Illinois | 61073 | USA

Phone: +1.779.771.0000

Email: marketing@3DPlatform.com

Specifications subject to change without notice. ©2019 3D Platform. All Rights Reserved. No part of this publication may be reproduced, stored in a retrieval system, or transmitted in any form or by any means without the prior written permission of 3D Platform, etc.

3DP-LITWC500-001-rev0519