

DOCUMENTATION SHEET

Propulsion Equipment
TT-Mount type 2

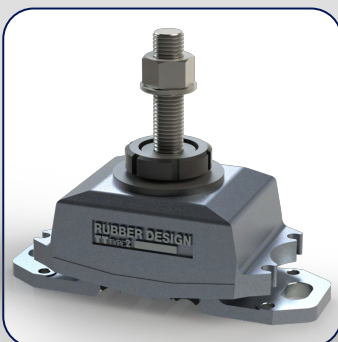
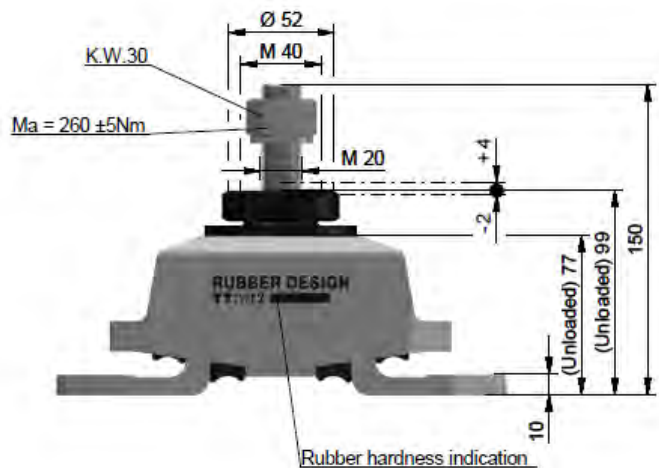
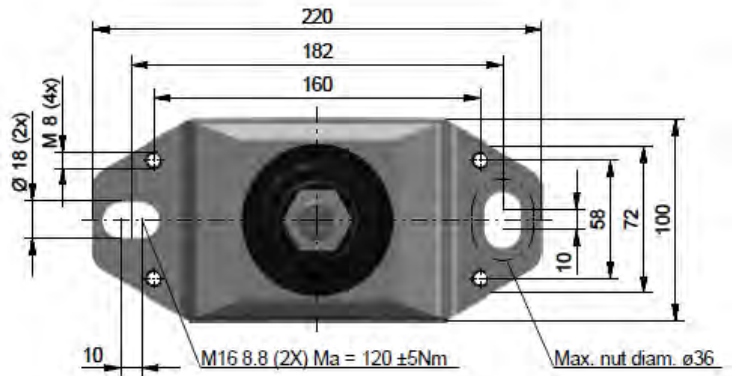
TT2

General

The TT mounts are especially developed for the high powered / low weight, close coupled engine / gearbox combinations. The unique mounting design characteristics enables to transmit both Thrust and Torque forces whilst ensuring an excellent vibration isolation. The TT mounts have a linear stiffness over a wide load range varying from compression (-) to extension (+) necessary to maintain the optimum isolation properties of the Mass-Spring system formed by engine / gearbox and mounts. The close coupled gearbox reduces the engine rpm 's and as a consequence, magnifies the engine torque. The reaction torque is being transferred over the TT mounts to the foundation as additional compression or extension forces which requires the TT mounts unique linear (compression / extension) stiffness to maintain the same high degree of isolation.

Remark

It is our intention to maintain the excellent standard of our products. Modifications and improvements may be made from time to time, therefore we advise to contact us before ordering.



DIMENSIONS



Specification

The stiffness ratio from Vertical (Z) to Longitudinal (X) is selected such to minimize displacements of the installation and connected equipment in this direction, which for instance is beneficial for shaft seals. The thrust capacity per mount, related to the actual mount load (FZ) can be taken from the characteristics table below.

	Initial load limit [N]	Max. Vertical load [N]		Max. Thrust load [N]
	at 2mm vertical compression (-) (static load)	Compression (-)	Tensile (+)	
45°Sh.A	1000	1750	1250	5000
50°Sh.A	1250	2500	1750	6250
55°Sh.A	1500	3000	2250	7000
60°Sh.A	2000	3750	2750	7000
65°Sh.A	3000	5750	4250	9000
70°Sh.A	3750	7500	5500	10000
75°Sh.A	5250	10500	7750	14250

CHARACTERISTICS

The standard rubber hardness is available from 45° Sh.A up to 75° Sh.A and can be used up to 90° C continuous and 110° C peak temperature, furthermore it will ensure low creep values. All TT mounts are marked with the rubber hardness derived from the individual stiffness test on one side of the top casting.

The TT mounts have an integrated limiter which limits the displacements in the vertical and horizontal direction.

Direction	Vertical up (+)	Vertical down (-)
Displacement limiter clearance [mm]	3,3	7,3

Vertical clearance at unloaded condition

CLEARANCE

Direction	Fz +	Fz -	Fy + or -	Fx + or -
Max Shockload (kN)	25	200	20	50

SHOCKLOADS

Selection

The mount selection for a Thrust and Torque transferring propulsion installation can generally be made according to the following guidelines and is based solely on mount loads. The selection made according to these guidelines will prevent overloading of the mountings.

- 1) Calculate the vertical (Z) static load per mount position;
- 2) Select mount type rubber hardness, not exceeding initial load limit.
- 3) Calculate the additional torque forces (+/-) in the full load situation per mount position.
- 4) Add the load per mount as found under 1 with the torque forces per mount as found under 3. Check if the calculated maximum and minimum vertical load points are within the allowed maximal vertical load range.
- 5) Determine the maximum thrust loads from the characteristics table.
- 6) Compare the total horizontal (X) thrust load of the installation with the total maximum thrust load of all mountings together. Select a different rubber hardness if required.

The analysis of the disturbing – versus natural frequencies of the mounting system should confirm the mount selection.



TYPE APPROVALS



Salem, MA
p. (978)745-7000

Ft Lauderdale, FL
p. (954)761-9188

www.soundown.com
sales@soundown.com