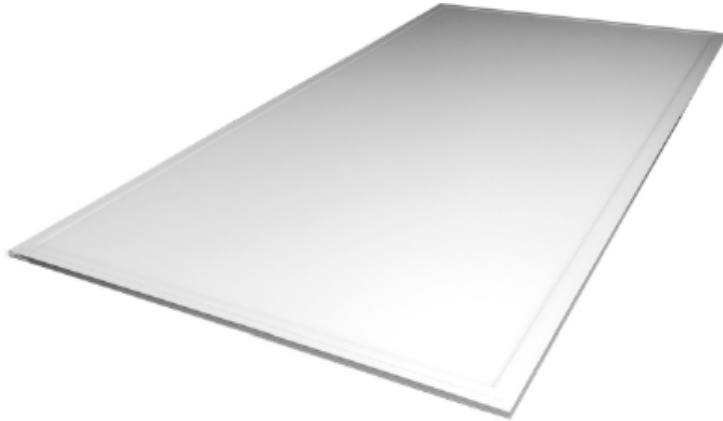


PROJECT NAME:
NOTES:
PART NUMBER:
DATE:

# LED FLAT PANEL



## PRODUCT DESCRIPTION:

TechBrite's LED Flat Panel is the obvious choice when needing an architectural grade office fixture. Designed to be recessed in an acoustical tile ceiling, the TechBrite LED Flat Panel can also be surface or suspension mounted. The LED Flat Panel is 130 LPW in the most efficient models, offering as much as a 60% energy savings over traditional T8 fluorescent. The high quality diffuser is specifically engineered to eliminate the risk of yellowing over the product's lifetime. With a standard 7 year warranty, the TechBrite LED Flat Panel is the perfect solution for retrofitting existing spaces or new construction.

## FEATURES:

- 60,000 hour rated life
- Glare-free for improved aesthetics
- Integral T-bar clips for easy installation
- 3500K, 4000K, 5000K
- Available in 2x2, 2x4 and 1x4
- 0-10v Dimming standard
- Limited warranty: 7 years on luminaire

## PERFORMANCE SPECIFICATION:

Lumens	5372
Watts	50.0
LPW	108.0
Color	5000
CRI	84.7
L70	> 60,000 hrs
Max Ambient Temp	104° F
Min Ambient Temp	-4° F
Dimming	0-10v Dimming to 1%
Driver Voltage	120/277
Chip	4014 White SMD LED
Driver	Keystone

\* Performance data based on 5000K data

\* Report # GZE161218-NI



## FREQUENTLY ORDERED PART NUMBERS:

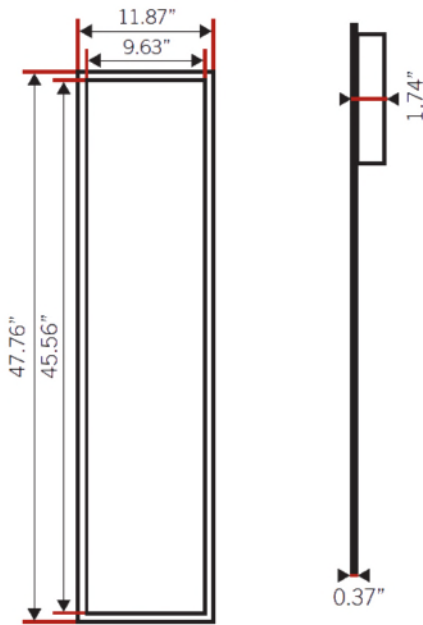
Part Number	Lumens	Watts	LPW	Volt	Color	Description	Dimensions	Weight	DLC
PL-LED-22-30-835-P	3750	30	125	120-277	3500K	2x2 LED Flat Panel	23.74 x 23.74 x 1.74 (inches)	7.50 lbs	Premium
PL-LED-22-30-840-P	3800	30	127	120-277	4000K	2x2 LED Flat Panel	23.74 x 23.74 x 1.74 (inches)	7.50 lbs	Premium
PL-LED-22-30-850-P	3900	30	130	120-277	5000K	2x2 LED Flat Panel	23.74 x 23.74 x 1.74 (inches)	7.50 lbs	Premium
PL-LED-22-40-835/G2	4050	40	101	120-277	3500K	2x2 LED Flat Panel	23.74 x 23.74 x 1.74 (inches)	7.50 lbs	Standard
PL-LED-22-40-840/G2	4100	40	103	120-277	4000K	2x2 LED Flat Panel	23.74 x 23.74 x 1.74 (inches)	7.50 lbs	Standard
PL-LED-22-40-850/G2	4150	40	104	120-277	5000K	2x2 LED Flat Panel	23.74 x 23.74 x 1.74 (inches)	7.50 lbs	Standard
PL-LED-24-40-835-P	5000	40	125	120-277	3500K	2x4 LED Flat Panel	47.76 x 23.74 x 1.74 (inches)	13.67 lbs	Premium
PL-LED-24-40-840-P	5050	40	126	120-277	4000K	2x4 LED Flat Panel	47.76 x 23.74 x 1.74 (inches)	13.67 lbs	Premium
PL-LED-24-40-850-P	5100	40	128	120-277	5000K	2x4 LED Flat Panel	47.76 x 23.74 x 1.74 (inches)	13.67 lbs	Premium
PL-LED-24-50-835/G2	5100	50	102	120-277	3500K	2x4 LED Flat Panel	47.76 x 23.74 x 1.74 (inches)	13.67 lbs	Standard
PL-LED-24-50-840/G2	5200	50	104	120-277	4000K	2x4 LED Flat Panel	47.76 x 23.74 x 1.74 (inches)	13.67 lbs	Standard
PL-LED-24-50-850/G2	5300	50	106	120-277	5000K	2x4 LED Flat Panel	47.76 x 23.74 x 1.74 (inches)	13.67 lbs	Standard
PL-LED-14-40-835-P	4950	40	124	120-277	3500K	1x4 LED Flat Panel	47.76 x 11.87 x 1.74 (inches)	7.94 lbs	Premium
PL-LED-14-40-840-P	5000	40	125	120-277	4000K	1x4 LED Flat Panel	47.76 x 11.87 x 1.74 (inches)	7.94 lbs	Premium
PL-LED-14-40-850-P	5050	40	126	120-277	5000K	1x4 LED Flat Panel	47.76 x 11.87 x 1.74 (inches)	7.94 lbs	Premium
PL-LED-14-40-835/G2	4050	40	101	120-277	3500K	1x4 LED Flat Panel	47.76 x 11.87 x 1.74 (inches)	7.94 lbs	Standard
PL-LED-14-40-840/G2	4100	40	103	120-277	4000K	1x4 LED Flat Panel	47.76 x 11.87 x 1.74 (inches)	7.94 lbs	Standard
PL-LED-14-40-850/G2	4150	40	104	120-277	5000K	1x4 LED Flat Panel	47.76 x 11.87 x 1.74 (inches)	7.94 lbs	Standard

## ACCESSORIES:

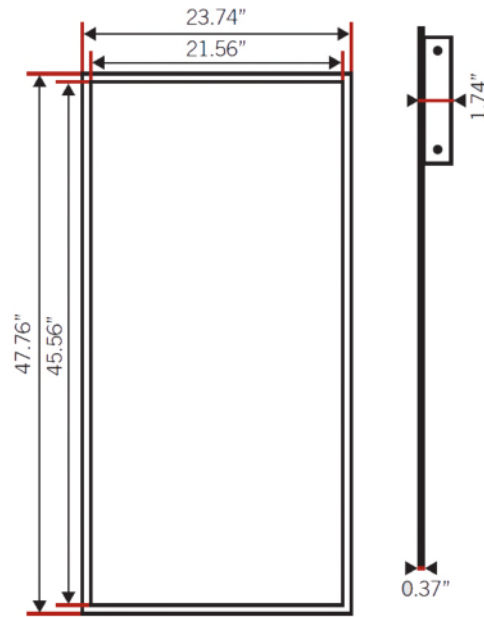
ACCESSORIES	
Part Number	Description
KT-PLED-CABLE-KIT	Cable Hanging Kit for LED Flat Panel (includes 3 cable sets)
KT-PLED-SM-22-KIT	Surface Mount Kit for (1) 2x2 LED Flat Panel
KT-PLED-SM-14-KIT	Surface Mount Kit for (1) 1x4 LED Flat Panel
KT-PLED-SM-24-KIT	Surface Mount Kit for (1) 2x4 LED Flat Panel
KT-PLED-EM-BR-KIT	Bracket Kit for Mounting Emergency LED Backup to LED Flat Panels

**DIMENSIONS:**

**1x4**



**2x4**



**2x2**

