



# PLIV Series Inverters

Without a Static Bypass Switch (NS Option)  
2 to 15 kVA, 120 Vac, 60 Hz Output  
120 Vdc Input



## Standard Features

### User Friendly Interface

- LCD with Status, Meter and Alarm screens.
- Industrial style LED Mimic Diagram.
- Nine button control keypad.
- 200 event Alarm History with date and time stamp.
- Four remote alarm contacts (user configurable).
- RS-485, 2-wire interface with Modbus protocol.
- RS-232 interface with Philtek protocol.

### Power Circuit

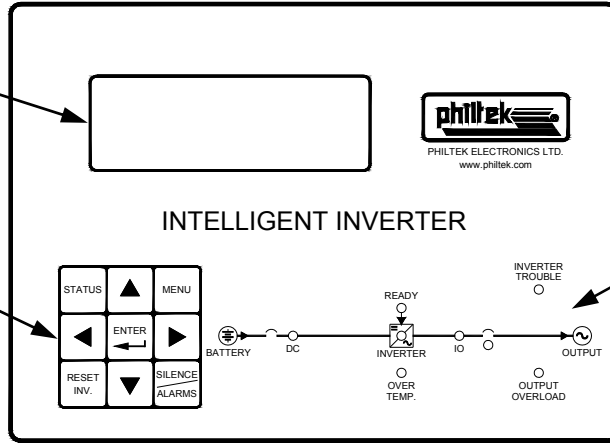
- High frequency PWM switching technology, using IGBT's.
- Pure Sine Wave AC output.
- Low audible noise.
- High efficiency.
- Inverter Output isolation transformer provides galvanic isolation between DC and AC circuits.
- Powers virtually any load, compatible with Nonlinear and Active Power Factor Corrected AC Loads.
- Input and Output Circuit Breakers.
- Automatic DC Input Pre-charge circuit.
- NS option provides DC to AC conversion only (for operation without a bypass AC).

### Packaging

- 2, 3, & 5 kVA in a wall mount, 19" rack mount or 23" rack mount design. Rack sold separately. Floor mount stand option available.
- 10 & 15 kVA in a 23" rack mount design. Rack sold separately. Floor mount stand option available.
- Air intake at front and bottom. Exhaust at top. Rear clearance is not required.
- Temperature controlled variable speed cooling fans.

4 x 20 Backlit LCD Screen

3 x 3 Control Keypad



Comprehensive LED Mimic Diagram

**Inverter Control Panel**

## Inverter Specifications *(Subject to change without notice)*

### DC Input

Nominal 120 V  
 Range 105 to 150 V  
 Current See Table  
 Noise feedback < 40 dBrc

### Metering

Standard

Inverter Output: V, A, Hz,  
 KVA & KW  
 DC Input: V, A & KW

### AC Output

Power See table  
 Connection 2 Wires + Ground  
 Voltage 120 Vac, 1 Phase, 60 Hz  
 Regulation ± 1%  
 Dynamic Regulation:  
   100 % step load ± 4%  
   Recovery < 8 ms  
 Efficiency ≥ 90 %  
 Distortion ( linear load ) < 1.0 % THD  
 Non Linear Load Capability Up to 100 %  
 Active P.F. Corrected Loads Compatible  
 Load Power Factor ( PF ) 1.0  
 Frequency Tolerance ± 0.1 % free running  
 Overload 125 % for 20 minutes

### Operating Environment

Temperature 0° C to 40° C  
 Humidity 95 % RH  
 Audible noise 50 dBA @ 1 meter typical  
 Cooling Forced Air with temperature controlled fans

## Ordering Information

Inverter Model #	Output	Output Current	Input Current	Base Dimensions	Approx. Weight
PLIV 2K-120-N	2,000 VA @ 1.0 PF	16.7 A	22 A @ 105 Vdc	24.5"H x 17"W x 14.8"D	130 Lbs.
PLIV 3K-120-N	3,000 VA @ 1.0 PF	25.0 A	32 A @ 105 Vdc	24.5"H x 17"W x 14.8"D	150 Lbs.
PLIV 5K-120-N	5,000 VA @ 1.0 PF	41.7 A	53 A @ 105 Vdc	24.5"H x 17"W x 14.8"D *	190 Lbs.
PLIV 10K-120-N	10,000 VA @ 1.0 PF	83.3 A	106 A @ 105 Vdc	36"H x 21"W x 17"D	355 Lbs.
PLIV 15K-120-N	15,000 VA @ 1.0 PF	125 A	160 A @ 105 Vdc	36"H x 21"W x 17"D	500 Lbs.

## Option Table

Code	Option
NS	No Static Bypass Switch. AC input removed. (For PLIV Inverter Systems with a Static Bypass Switch, see the standard PLIV 120-N brochure)
AL8	Four contacts added for a total of eight Remote Alarm Contacts.
SVW	Replaces the RS-232 port with an internal <u>Status-Via-Web</u> Ethernet device. Allows remote control and monitoring via Web Page, SNMP and Modbus TCP/IP. (Separate external SVW device also available)

For Example:

**PLIV 5K-120-N+NS+AL8+SVW**

Model No.

Options

For More Information please Contact:

In Canada

In USA

**Philtek Electronics Ltd.**

**Philtek Power Corp.**

Tel: (604) 270-4642

Tel: (360) 332-7252

Fax: (604) 270-8343

E-mail: [info@philtek.com](mailto:info@philtek.com)