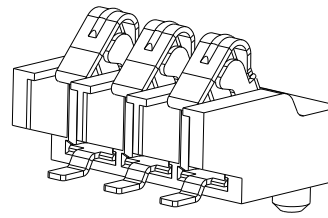
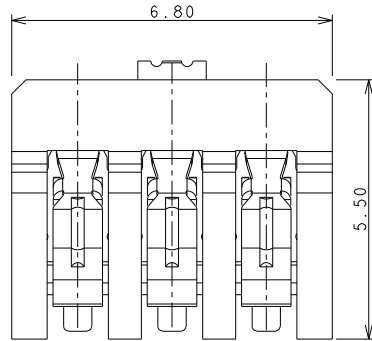
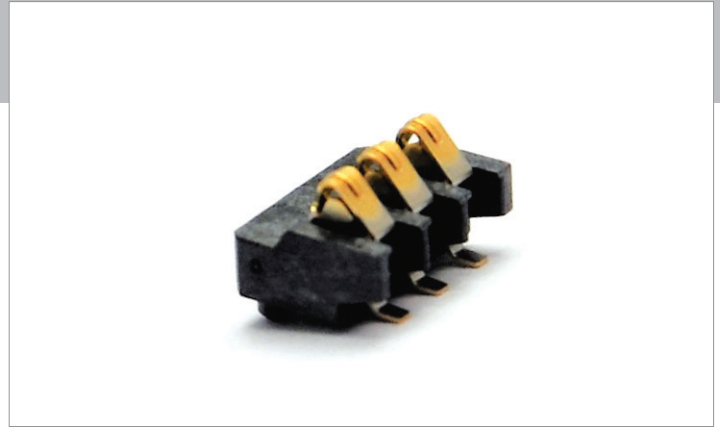


Battery

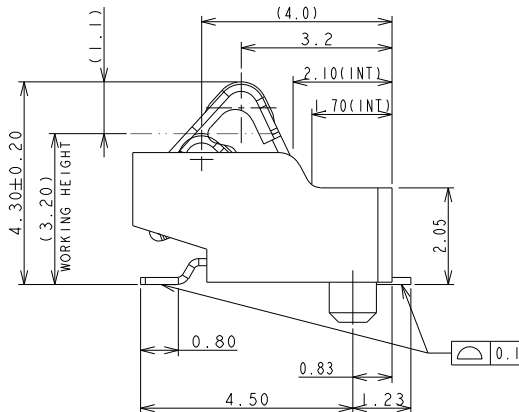
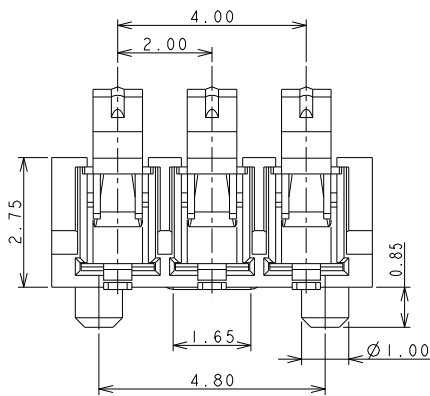
PART #: 201-C2760-00343

KEY FEATURES

- 5.50L x 6.80W x 4.30H mm
- 3 pin
- pitch 2mm
- Top mount



SCALE 8:1



2 6 0

