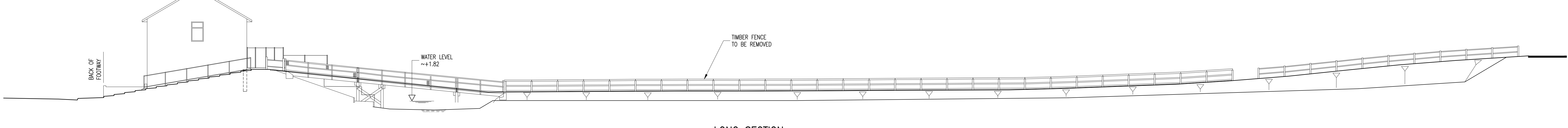
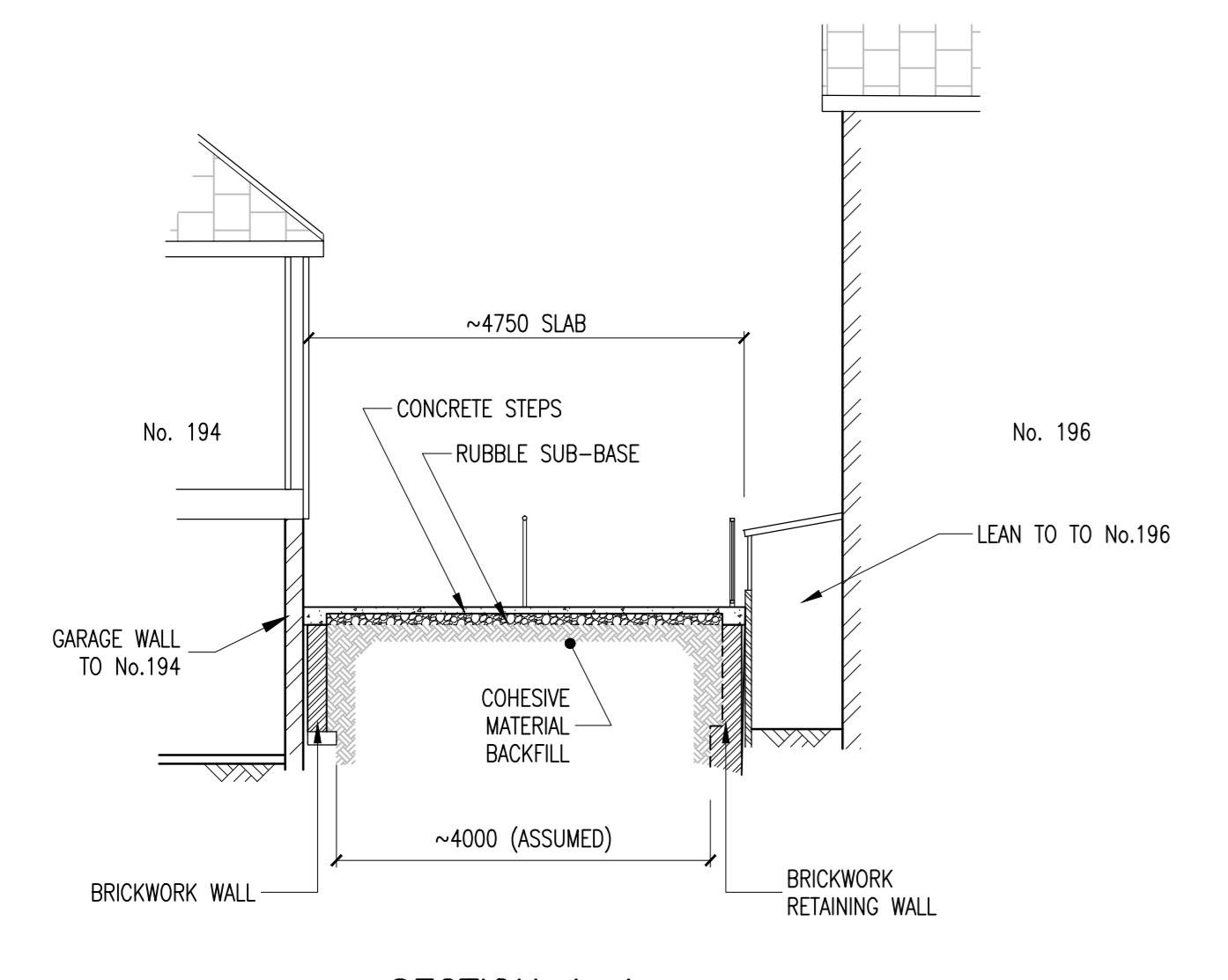


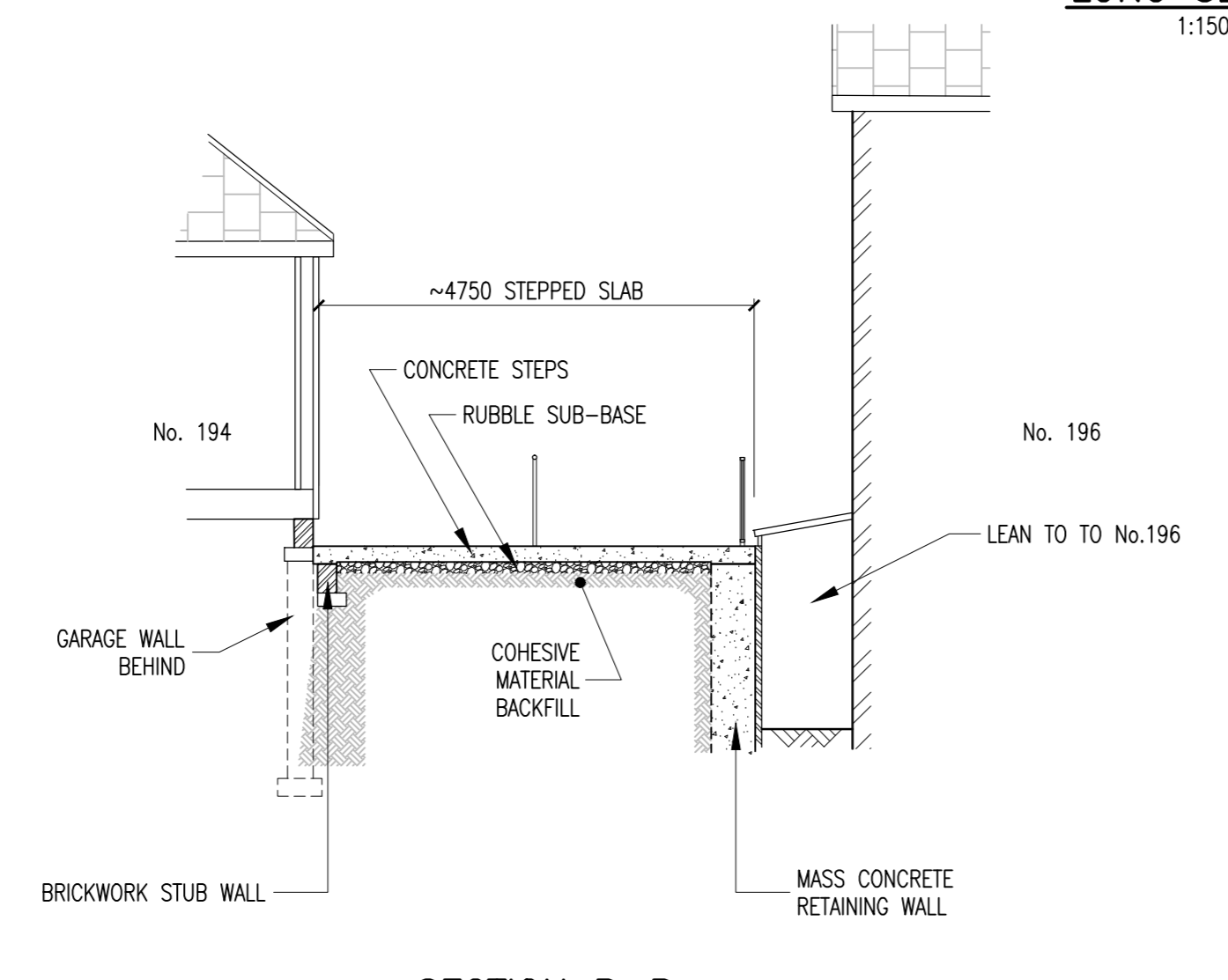
PLAN
1:150



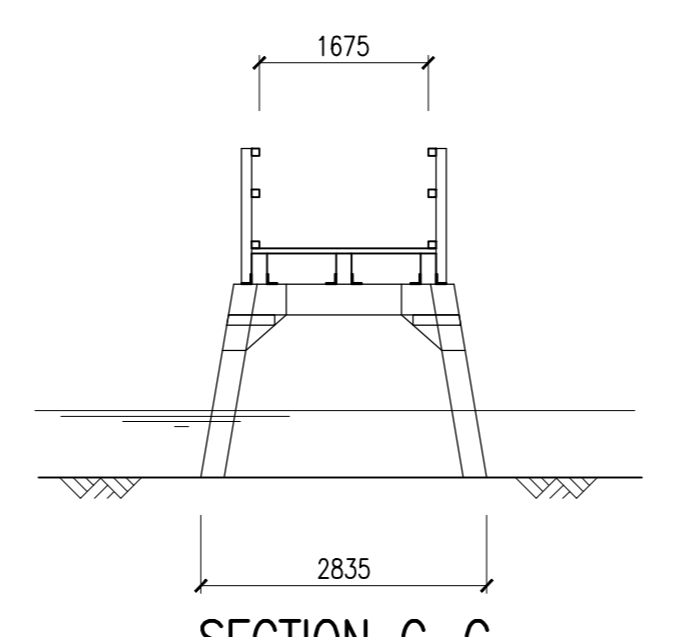
LONG SECTION
1:150



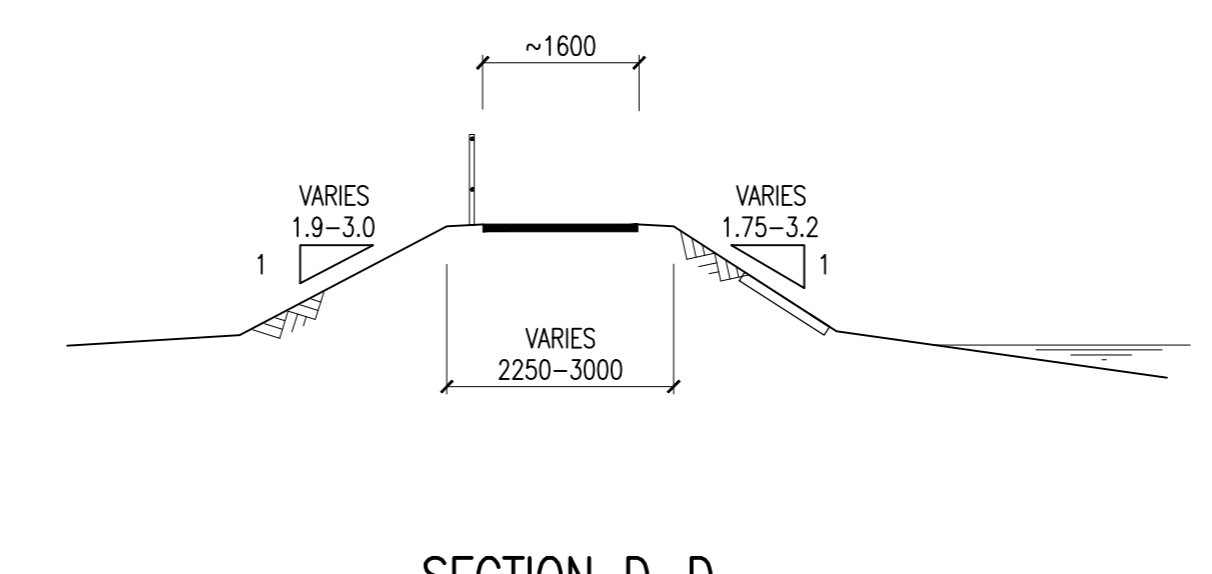
SECTION A-A
1:75



SECTION B-B
1:75

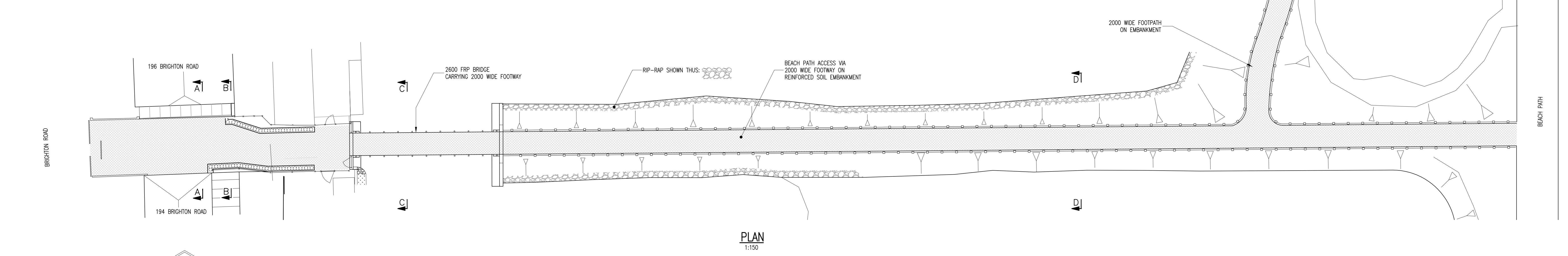


SECTION C-C
1:75

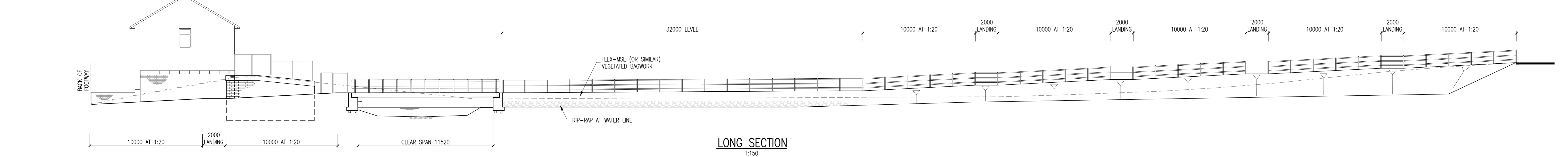


SECTION D-D
1:75

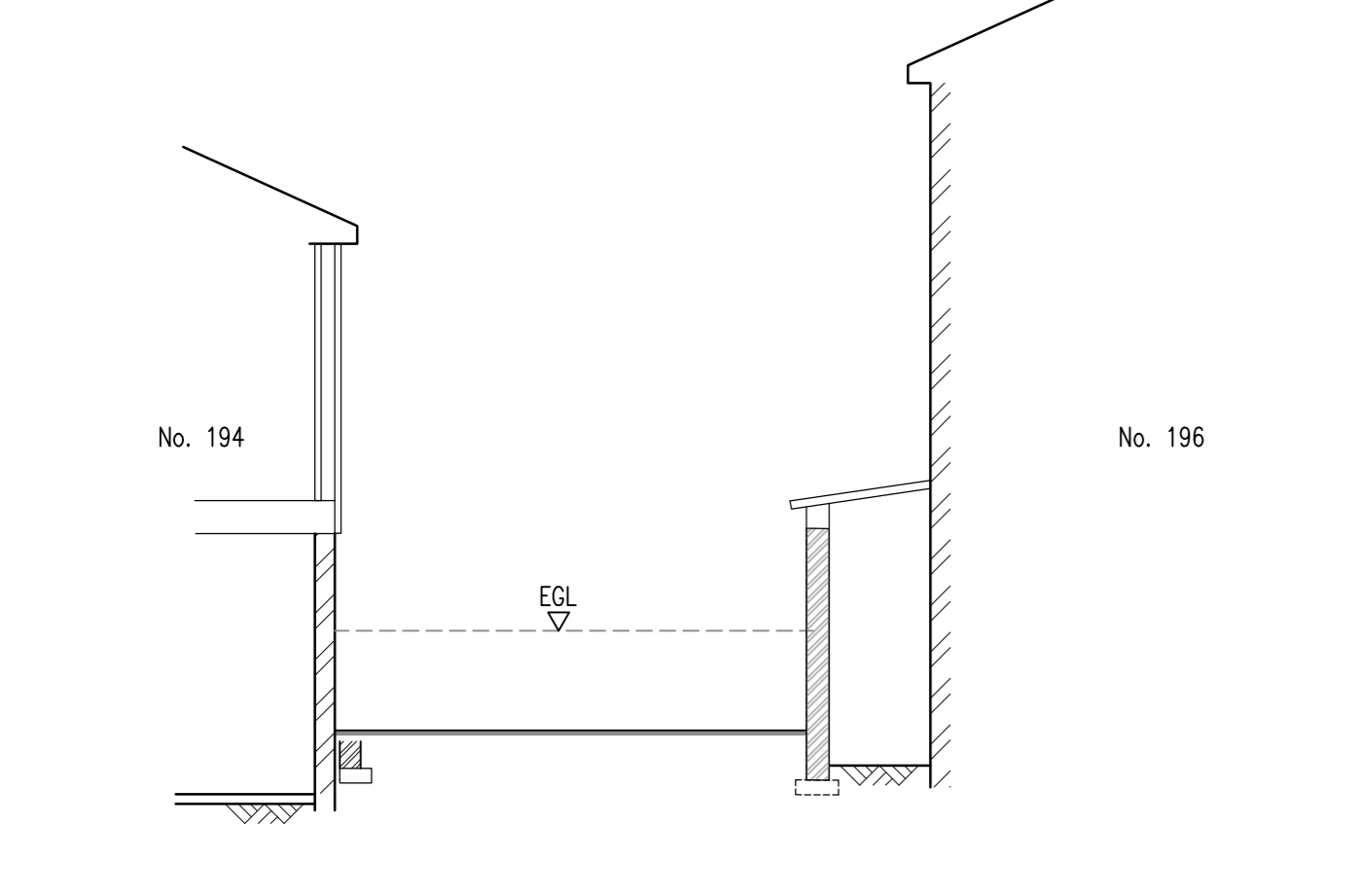
EXISTING



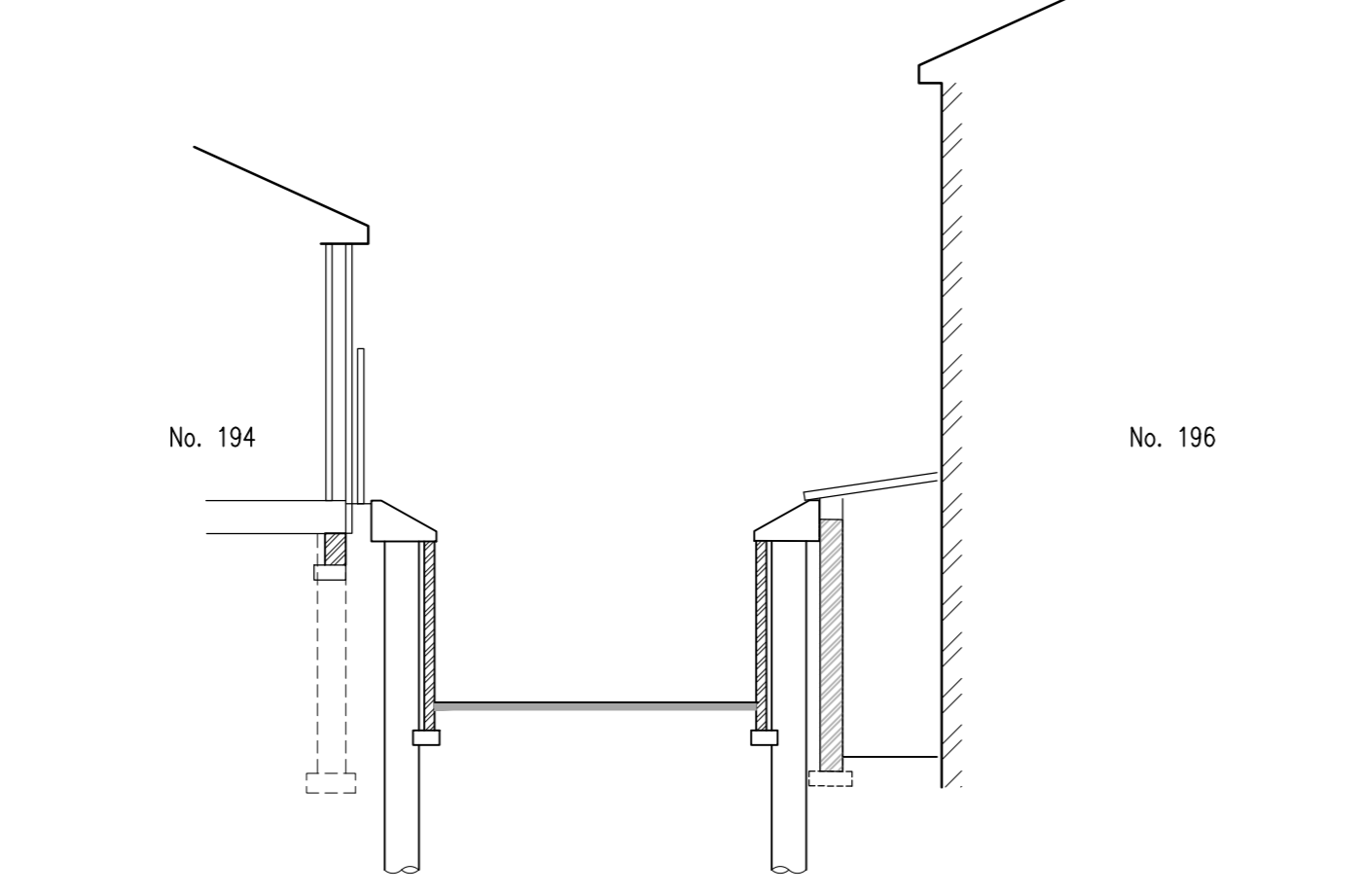
PLAN
1:150



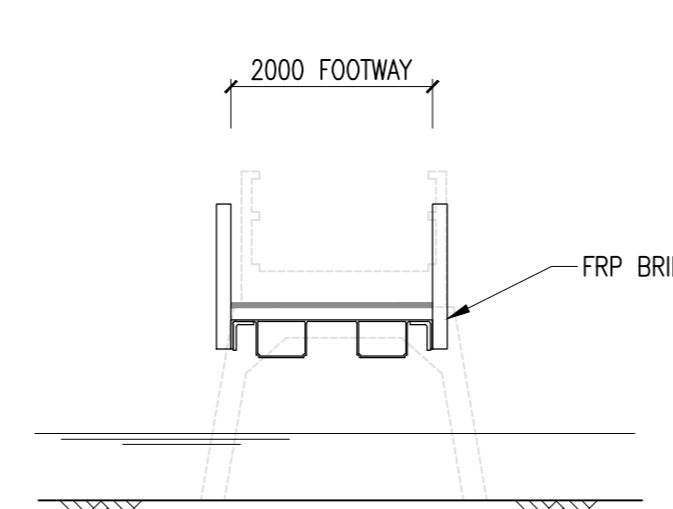
LONG SECTION
1:150



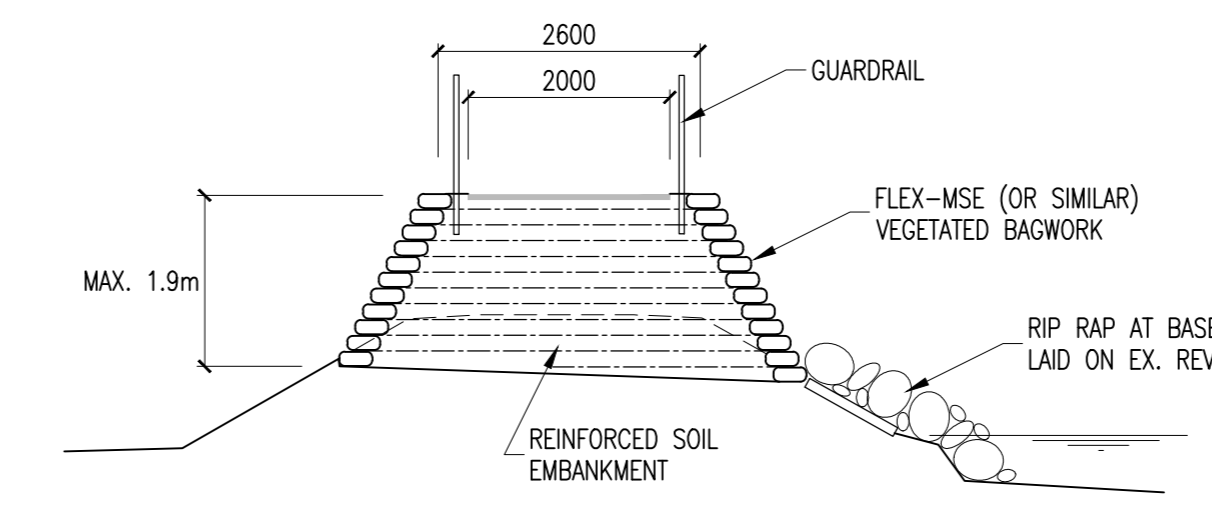
SECTION A-A
1:75



SECTION B-B
1:75

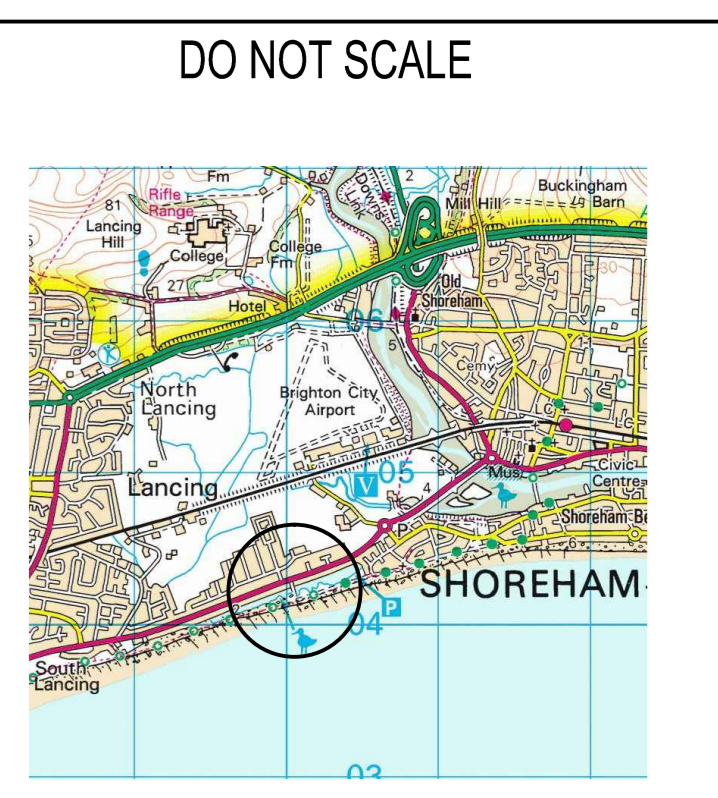


SECTION C-C
1:75



SECTION D-D
1:75

PROPOSED



- GENERAL
1. ALL DIMENSIONS ARE IN MILLIMETERS UNLESS NOTED OTHERWISE.
 2. ALL LEVELS ARE IN METERS TO ORDNANCE DATUM UNLESS NOTED OTHERWISE.

REV	DATE	BY	DESCRIPTION	CHK	APP
0	NOV '18	CPW	INITIAL ISSUE		APC

DRAWING STATUS: APPROVAL IN PRINCIPLE

Mountbatten House, Basing View, Basingstoke, Hampshire RG21 4HJ
Tel: +44 (0)1256 318800 Fax: +44 (0)1256 318700
http://www.wspgroup.com



PROJECT: WIDEWATER LAGOON FOOTBRIDGE REPLACEMENT AND ROUTE UPGRADING

TITLE: SCHEME GENERAL ARRANGEMENT

SCALE	AS SHOWN	CHECKED:	APC	APPROVED:	APC
CAD FILE:	70022675-15_GAs	DESIGN/DRAWN:	CPW	DATE:	NOV '18
PROJECT NO.:	70022675-15	DRAWING NO.:	70022675-15-001	REV:	0

© WSP Group Limited