

EXAIR 壓縮空氣產品 Productos del aire comprimido Druckluft-Produkte Prodotti dell'aria compressa De Producten van de samengeperste Lucht Compressed Air Products

Home Company Information Blog Find a Distributor Videos

Line Vac™

EXAIR's compressed air operated **Line Vac** connects to standard hose or tube to create a powerful in-line conveyor. The compact design features large throat diameters for maximum throughput capability. Line Vac conveyors are ideal for moving large volumes of material over long distances. A small amount of compressed air is injected through directed nozzles to produce a vacuum on one end and high output flows on the other, with instantaneous response. The material flow rate is easily controlled with a pressure regulator. No moving parts or electricity assures maintenance free operation. Line Vacs are available in aluminum and stainless steel.

Watch the Video!

Click Here to Learn

Like the Line Vac, the **Light Duty Line Vac** converts an ordinary hose or tube into a conveyor for scrap, trim and bulk materials. When lower throughputs at short distances are desired, the Light Duty Line Vac is a good

LEARN LINE VAC MORE

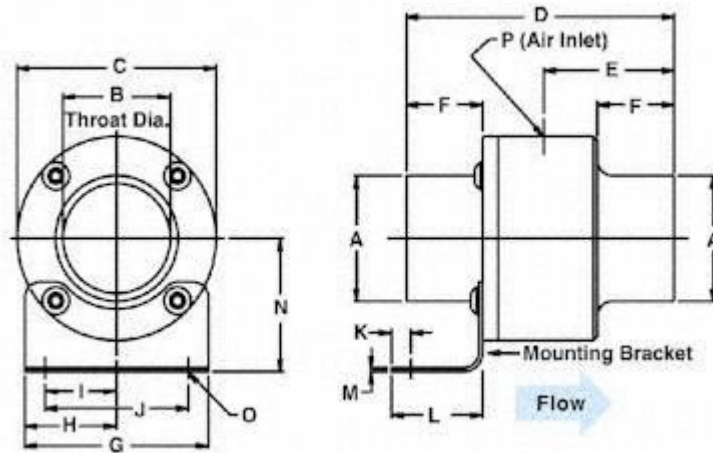


High Temperature Line Vacs can resist temperatures to 900°F (482°C) and are available from stock in hose or threaded models.



A 316 Stainless Steel Line Vac is used by a pharmaceutical company to convey pills and tablets to a packaging station.

Dimensions



SS Models	Alum. Models	UOM	A	B	C	D	E	F	G	H	I	J	K	L	M	N	O	P
6058	6078	in	0.38	0.19	1	2.18	1	0.63	1.25	0.62	0.41	0.82	0.17	1.13	0.06	1.07	0.18	1/8 NPT
		mm	10	5	25	55	25	16	32	16	10	21	4	29	2	27	5	
6059	6079	in	0.5	0.31	1.25	2.62	1.23	0.75	1.25	0.63	0.34	0.68	0.13	1	0.06	1.18	0.16	1/8 NPT
		mm	13	8	32	66	31	19	32	16	9	17	3	25	2	30	4	
6060	6080	in	0.75	0.50	1.88	3.88	1.88	1	2	1	0.76	1.52	0.25	1.38	0.06	1.44	0.20	1/4 NPT
		mm	19	13	48	99	48	25	51	25	19	39	6	35	2	37	5	
6061	6081	in	1	0.75	2.13	3.88	1.88	1	2	1	0.65	1.3	0.26	1.32	0.06	1.56	0.20	1/4 NPT
		mm	25	19	54	99	48	25	51	25	17	33	7	34	2	40	5	
6062	6082	in	1.25	1	2.38	3.88	1.88	1	2.5	1.25	1	2	0.31	1.61	0.06	1.68	0.28	1/4 NPT
		mm	32	25	61	99	48	25	64	32	25	51	8	41	2	43	7	
6063	6083	in	1.5	1.25	2.75	4.38	2.13	1.25	2.5	1.25	0.86	1.73	0.25	1.44	0.06	1.88	0.28	3/8 NPT
		mm	38	32	70	111	54	32	64	32	22	44	6	37	2	48	7	

6064	6084	in	2	1.75	3.25	4.38	2.13	1.25	3	1.5	1.17	2.34	0.28	1.48	0.06	2.13	0.28	3/8 NPT
		mm	51	45	83	111	54	32	76	38	30	59	7	38	2	54	7	
6065	6085	in	2.5	2.25	3.75	4.38	2.13	1.25	3	1.5	1	2	0.31	1.44	0.06	2.38	0.28	3/8 NPT
		mm	64	57	95	111	54	32	76	38	25	51	8	37	2	60	7	
6066	6086	in	3	2.75	4.25	5.63	2.75	1.75	3.25	1.63	1.20	2.41	0.41	1.44	0.06	2.63	0.28	1/2 NPT
		mm	76	70	108	143	70	45	83	41	31	61	10	37	2	67	7	
6067	6087	in	4	3.75	5.25	5.63	2.75	1.75	3.25	1.63	1.34	2.7	0.31	1.59	0.06	3.13	0.28	1/2 NPT
		mm	102	95	133	143	70	45	83	41	34	69	8	40	2	80	7	
N/A	6088	in	5	4.75	6.25	5.63	2.75	1.75	4.13	2.06	1.70	3.47	.33	1.52	0.06	3.63	0.28	1/2 NPT
		mm	127	121	159	143	70	45	105	52	43	88	8	39	2	92	7	