

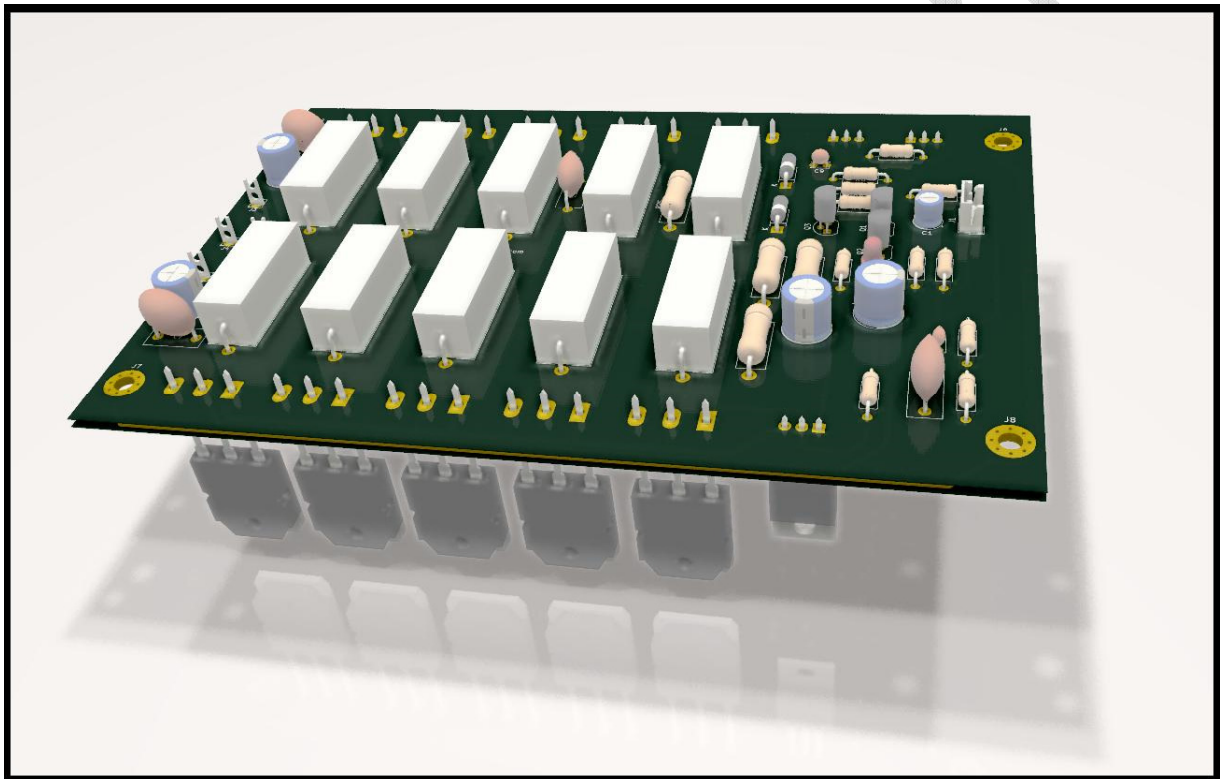
500W Amplifier from Eliot Sound Products

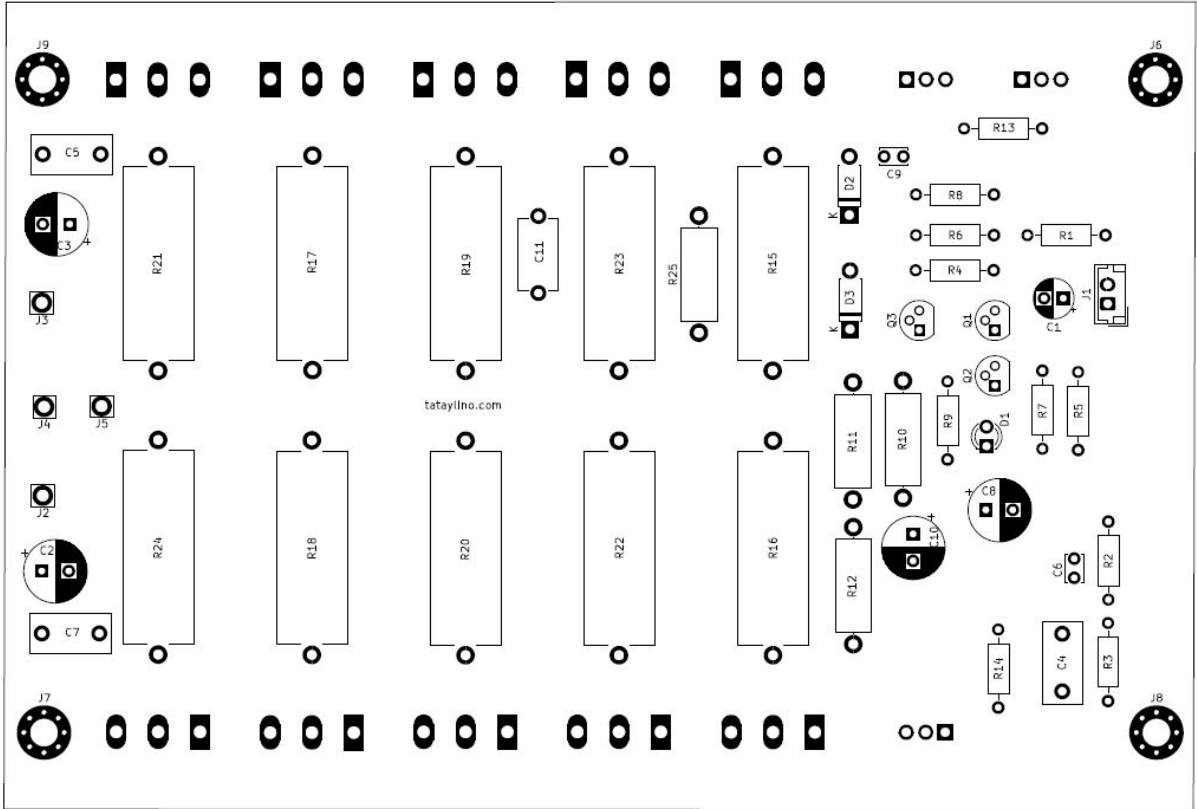
This project is based from Eliot Sound Products. You can find more information in:

<https://sound-au.com/project68.htm>

This project is published on:

<http://tataylino.com/500w-amplifier-from-eliot-sound-products/>





tatayilno

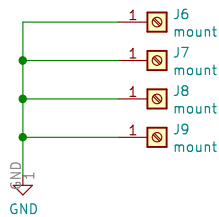
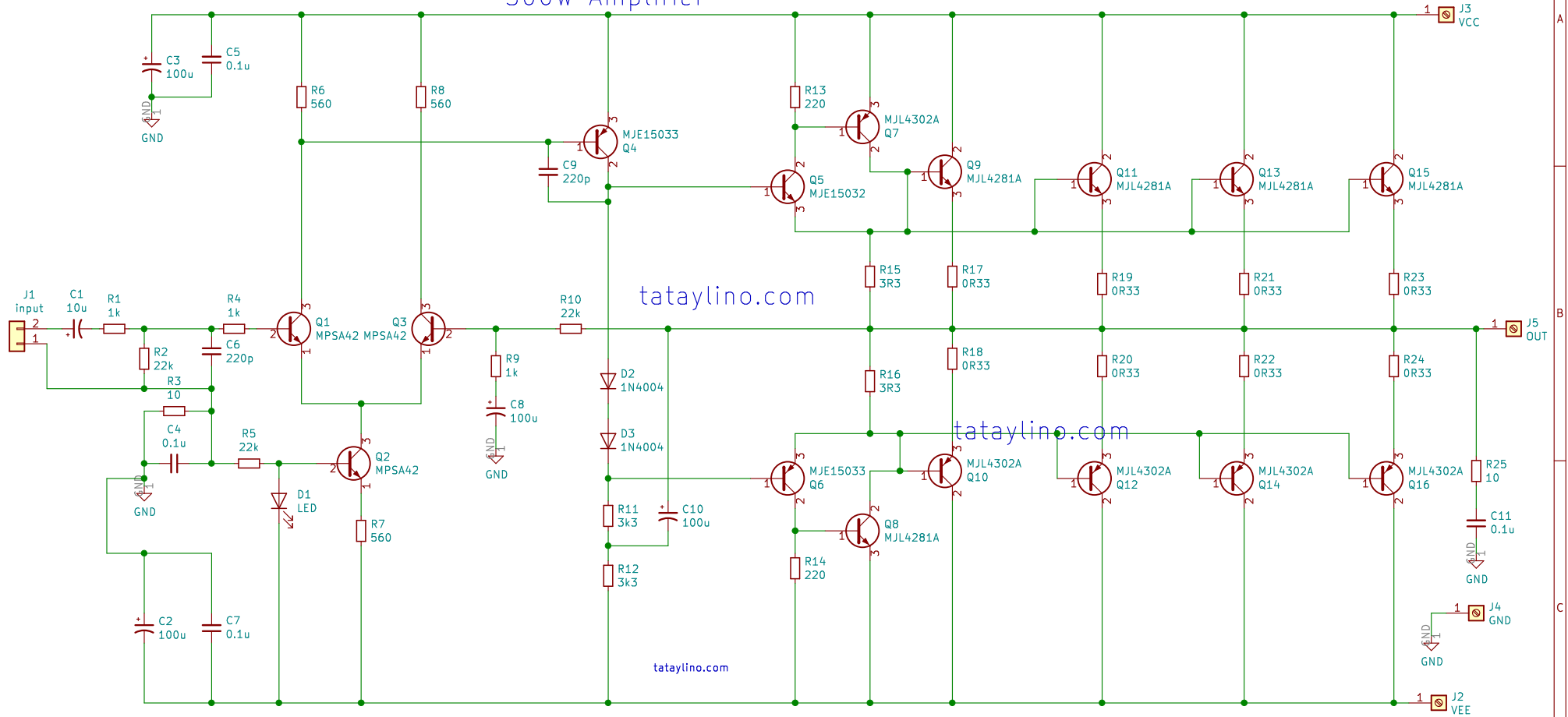
Bill of Materials

Ref	Value		Part
C1	10u	50v	electrolytic capacitor
C2	100u	63V	electrolytic capacitor
C3	100u	63V	electrolytic capacitor
C4	0.1u	100V	Mylar Capacitor
C5	0.1u	100V	Mylar Capacitor
C6	220p	100V	ceramic capacitor
C7	0.1u	100V	Mylar Capacitor
C8	100u	63V	electrolytic capacitor
C9	220p	100V	ceramic capacitor
C10	100u	63V	electrolytic capacitor
C11	0.1u	100V	Mylar Capacitor
D1	LED	green 2mm LED	
D2	1N4004		
D3	1N4004		

Ref	Value
Q1	MPSA42
Q2	MPSA42
Q3	MPSA42
Q4	MJE15033
Q5	MJE15032
Q6	MJE15033
Q7	MJL4302A
Q8	MJL4281A
Q9	MJL4281A
Q10	MJL4302A
Q11	MJL4281A
Q12	MJL4302A
Q13	MJL4281A
Q14	MJL4302A
Q15	MJL4281A
Q16	MJL4302A

Ref	Value	
R1	1k	1/4W resistor
R2	22k	1/4W resistor
R3	10	1/4W resistor
R4	1k	1/4W resistor
R5	22k	1/4W resistor
R6	560	1/4W resistor
R7	560	1/4W resistor
R8	560	1/4W resistor
R9	1k	2W Resistor
R10	22k	2W Resistor
R11	3k3	1/4W resistor
R12	3k3	1/4W resistor
R13	220	1/4W resistor
R14	220	1/4W resistor
R15	3R3	5W Resistor
R16	3R3	5W Resistor
R17	0R33	5W Resistor
R18	0R33	5W Resistor
R19	0R33	5W Resistor
R20	0R33	5W Resistor
R21	0R33	5W Resistor
R22	0R33	5W Resistor
R23	0R33	5W Resistor
R24	0R33	5W Resistor
R25	10	2W Resistor

500W Amplifier



500W Amplifier tataylino.com

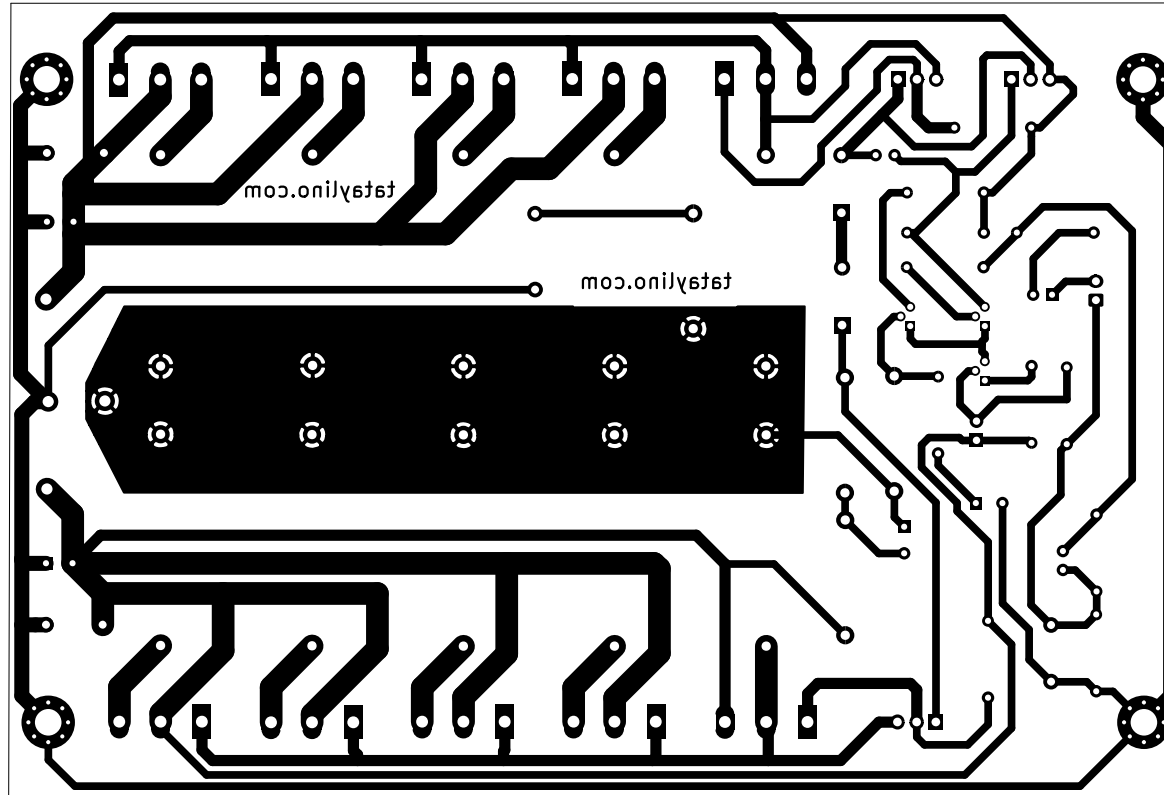
Sheet: /
File: 500w.sch

Title:

Size: A4
KiCad E.D.A. kicad (5.1.4)-1

Date:

Rev:
Id: 1/1



Sheet:	
File: 500w.kicad_pcb	
Title:	
Size: A4	Date:
KiCad E.D.A. kicad (5.1.4)-1	Rev: Id: 1/1