

# Series E

## Single sprocket roller

### Application scope

Euroroll's series E single sprocket roller is tailor-made for the unit driven load conveying of heavy goods. These include primarily pallets and steel containers, but also other heavy materials to be conveyed, as used in numerous industrial installations.

### Drive system

You have the choice between different sprocket drives - each as required.

The standard version of Euroroll includes welded sprockets in 5/8" with either 15 or 18 teeth.

The same applies to sprockets 1/2" with 14 teeth. Plastic drive elements are also available on request for certain tube types.

### Tube materials and diameters

Available tube types are:

50×1.5; 50×2.0; 60×2.0; 60×3.0;  
80×2.0; 80×3.0; 89×3.0.

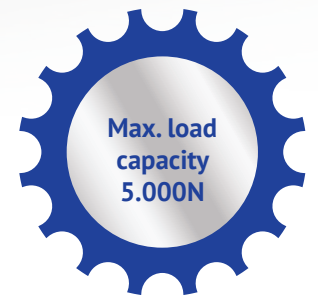
The respective tube types are available in bright and electrogalvanized

### Axles

The following diameters of this series are available: 12, 15, 17, 20, 25mm. Whether internal thread, spring axle, circlip, wrench sizes or external thread - we manufacture what you need!

### Bearing

Precision ball bearings according to DIN 625 available in 2RS and ZZ.



# Series E Single sprocket roller

euroroll

## Dimensions

The dimensions of the single sprocket roller depend on the installation length (EL). For an inquiry or order, the clear width between the profiles must be specified.

Sufficient axial play is taken into account here. The effective width (NB) and the dimensions of the sprocket are also significant: Installation length to the middle of the spider (EL-MZ) and from the middle of the sprocket to the beginning of the effective width (MZ-NB).

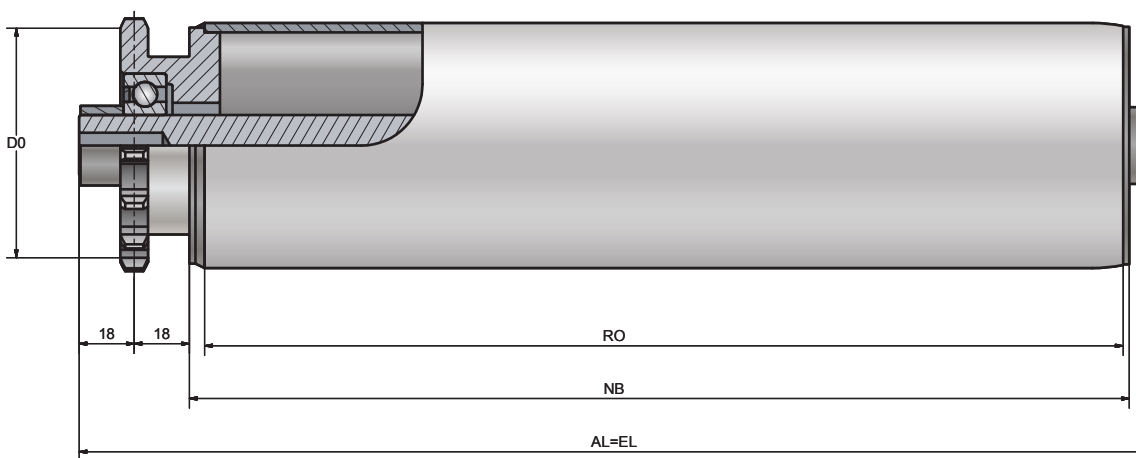
NB = Effective width

EL = Installation length, clear width between the side profiles

AL = Axle length

RO = Tube dimension without add-ons

**Calculation example:** EL = 1000 mm  
NB =  $1000 - 18 - 18 - 5 = 959$  mm



### Designation:

E403.3-A302.3-80×3V-A20 IGM10×20  
R0952 NB959 EL1000 AL1000

Supplements, e.g. galvanized, powder-coated RAL colour

- Almost all combinations of drive/tube/bearing/axle are possible. Goal-oriented and adapted to your requirements, we create a solution for your transported material and its environment.
- We also supply the ½" sprockets in a pressed version made of plastic or steel.
- All welding seams are cold galvanized as standard and are not leveled.
- The design of the roller also depends on external influences and the specification of the material to be conveyed.

Please contact us for further details. We look forward to your inquiry!