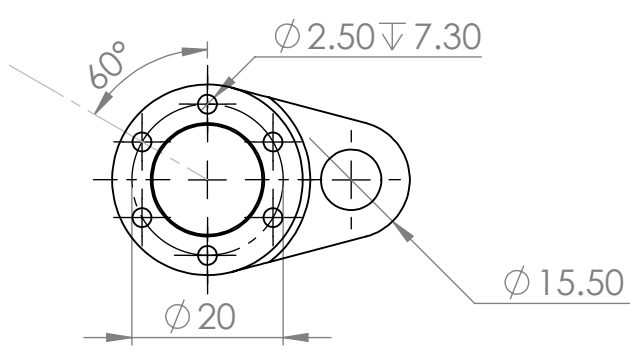
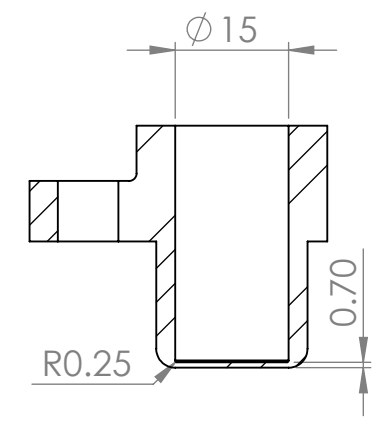
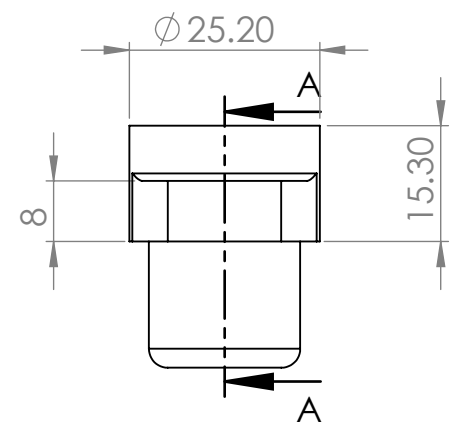
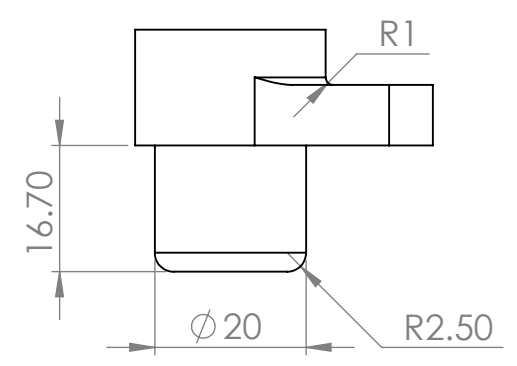


6 5 4 3 2 1

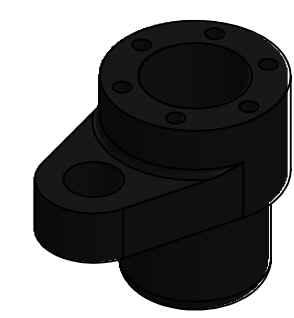
D



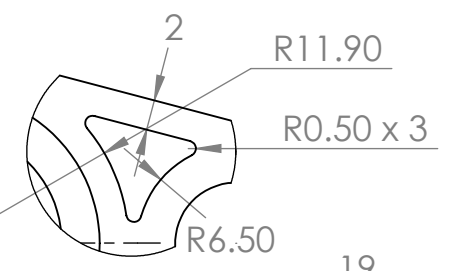
C



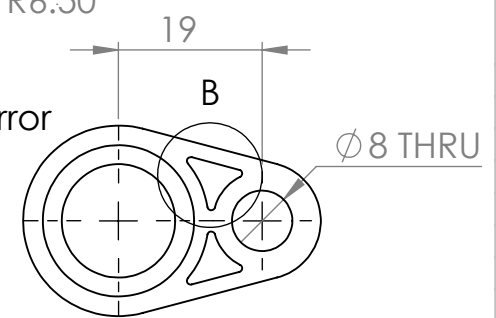
SECTION A-A



B



DETAIL B
SCALE 2 : 1
3 Deep & Mirror



A

UNLESS OTHERWISE SPECIFIED: DIMENSIONS ARE IN MILLIMETERS SURFACE FINISH: TOLERANCES: ±0.1mm LINEAR: ANGULAR:				FINISH: As printed		DEBURR AND BREAK SHARP EDGES		DO NOT SCALE DRAWING		REVISION 2	
								©moto-abruzzo 2016			
								TITLE: Aprilia Caponord ETV1000 & Rally-Raid Speedometer sensor case			
								DWG NO. Moto-A 254-2016		A4	
								WEIGHT: 8 grams		SCALE: 1:1	
								SHEET 1 OF 1			

6 5 4 3 2 1

D

C

B

A