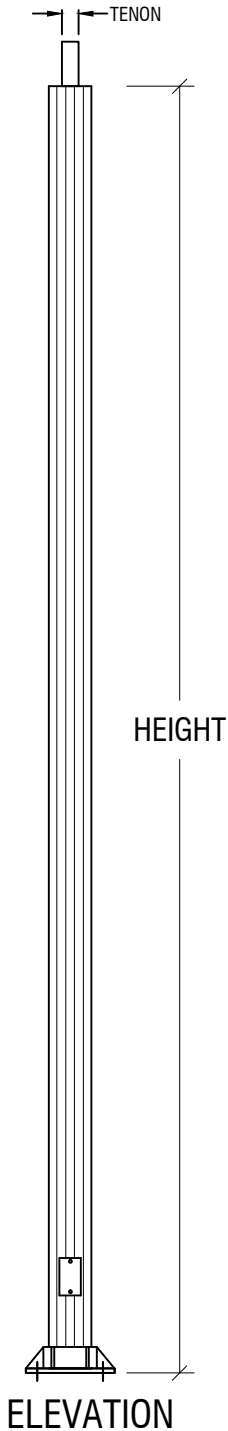
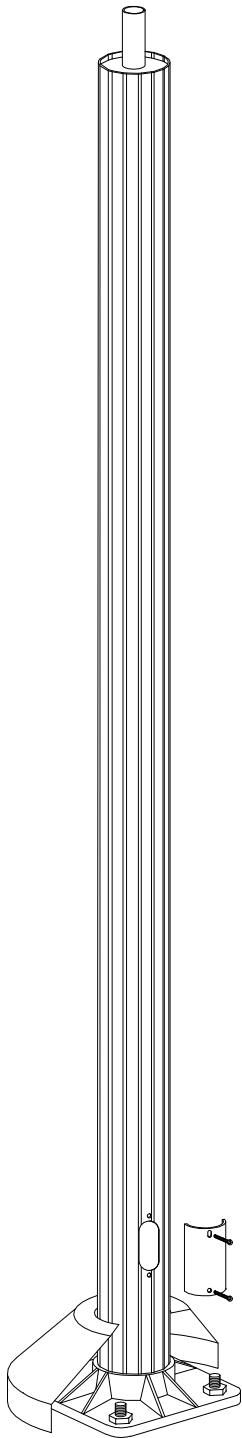


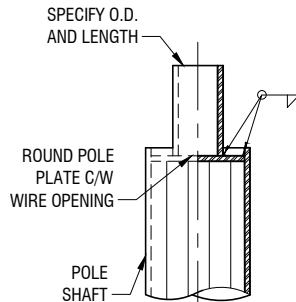
# SRFA series

straight round fluted aluminum

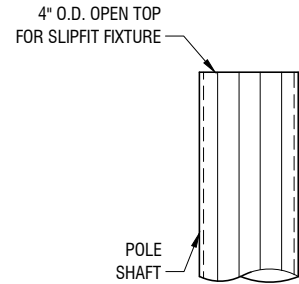
## TECHNICAL DETAILS



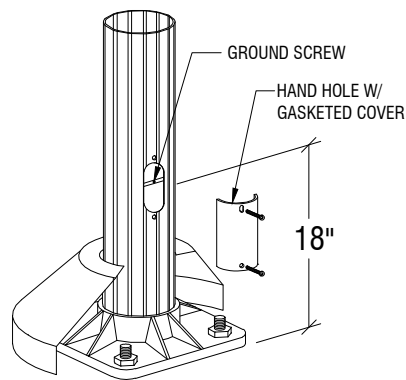
### POLE TOP FINISHING DETAILS



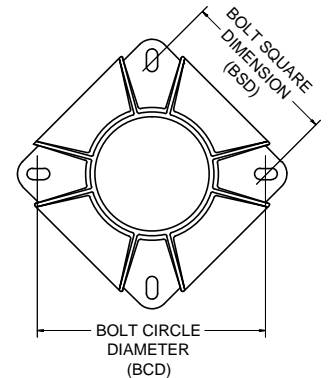
TENON DETAILS



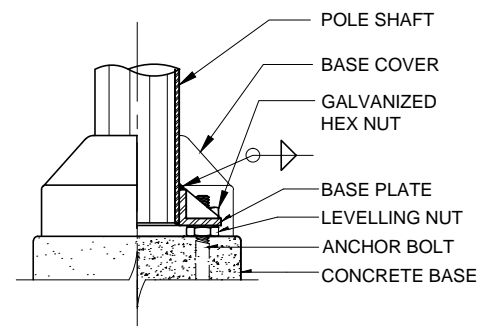
OPEN TOP DETAILS



BASE DETAILS



BASE PLATE DETAILS



BASE PLATE WELD DETAILS

**DYNAPOLE**  
 www.dynapole.com  
 A DIVISION OF DYNAMETAL INDUSTRIES LIMITED  
 2425 LUCKNOW DRIVE,  
 MISSISSAUGA ON L5S 1H1  
 Tel. (905) 671-1507 Fax (905) 671-4606  
 Toll-Free 1-877-DYNAPOLE

DRAWING TITLE:

**STRAIGHT ROUND FLUTED ALUMINUM**

NOTES: MATERIAL: ALUMINUM  
 SHAFT: 6061-T6  
 BASE PLATE: 356.0-T6

MODEL:

**SRFA**

DRAWN BY:

**PS**

DATE:

**06/04/20**

SCALE:

**NTS**