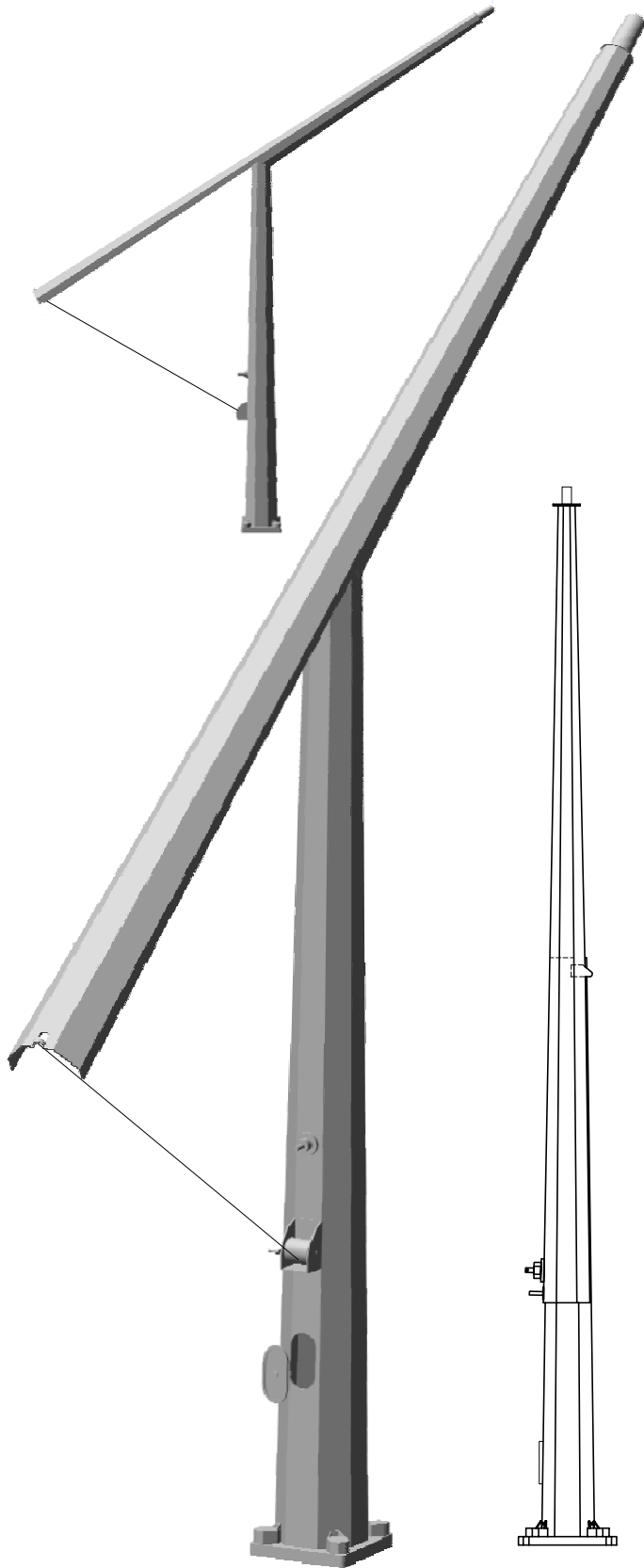


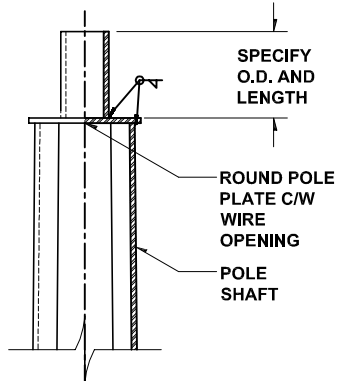
THOS series

tapered hinged octagonal steel

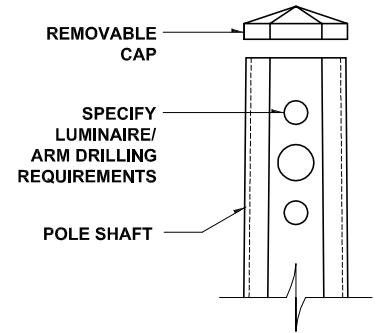


TECHNICAL DETAILS

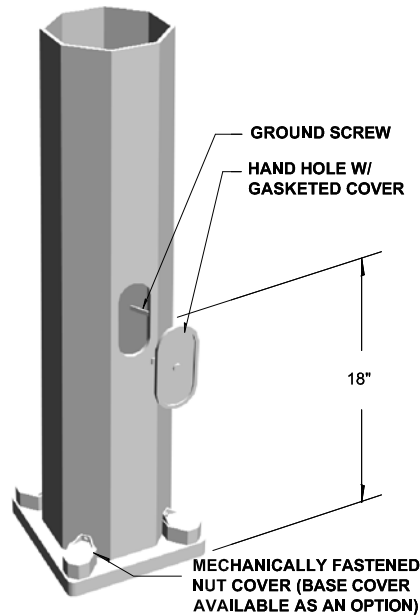
POLE TOP FINISHING OPTIONS



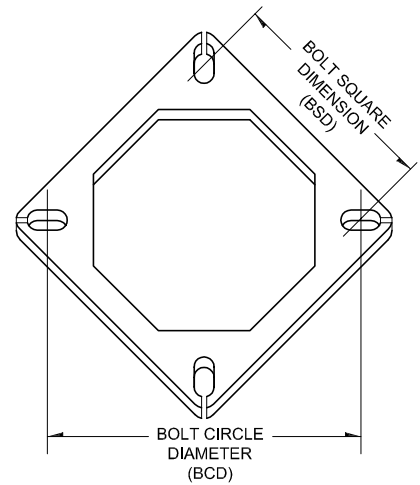
TENON DETAIL



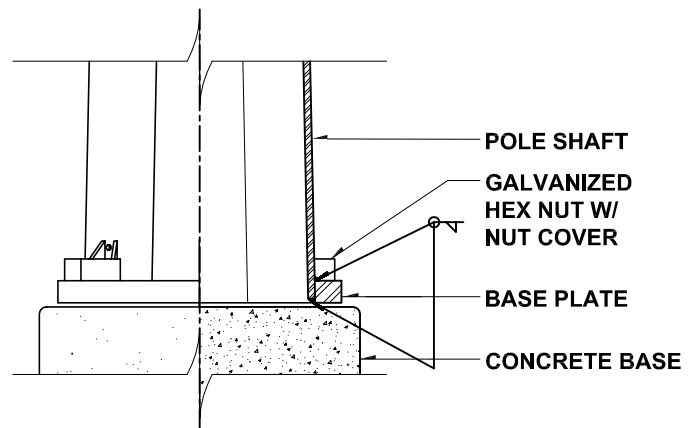
DRILLING DETAIL



BASE DETAIL



BASE PLATE DETAIL



BASE PLATE WELD DETAIL



DYNAPOLE

www.dynapole.com

2425 Lucknow Drive, Mississauga ON L5S 1H1 Canada

Tel. (905) 671-1507 Fax (905) 671-4606 Toll-Free 1-877-DYNAPOLE

DRAWING TITLE:

TAPERED HINGED
OCTAGONAL STEEL

MODEL:

THOS

DRAWN BY:

CGT

DATE:

06/28/04

SCALE:

NTS

NOTES: MATERIAL: STEEL
SHAFT: 50 000 PSI MIN. YIELD
BASE PLATE: 44 000 PSI MIN. YIELD