

### SOME POPULAR CONFIGURATIONS

7036 - 36" hose, for 'Engine Oil'

7011 - 54" hose, for 'Engine Oil'

7012 - 72" hose, for 'Engine Oil'

7034 - 36" hose, for BP Turbo Oil 2380

7048 - 72" hose, for 'MobiljetOil II'



7034 Replenishing pump shown  
(can of oil not included)

The special 2 micron (Beta 200 rated) filter elements fitted to Risbridger equipment dispense filtered fluids to a cleanliness level of DefStan O5/42 (better than 400F or ISO 4406 Class 11/7)

**Improve reliability and service life of your aircraft engines and components. Using our quick disconnect couplings and high level filtration you will protect the fluid**

- Cans of oil are fitted to pump before opening, preventing contamination of contents
- Integral can opener and suction pipe
- 'Stowage nose' for 1870 couplings - keeps hose tidy, prevents damage to coupling
- Available for many fluid / aircraft / system types
- Integral 'No filter - No Flow' safety valve
- Stability base prevents toggle straps collapsing the can and improves sealing

#### Materials:

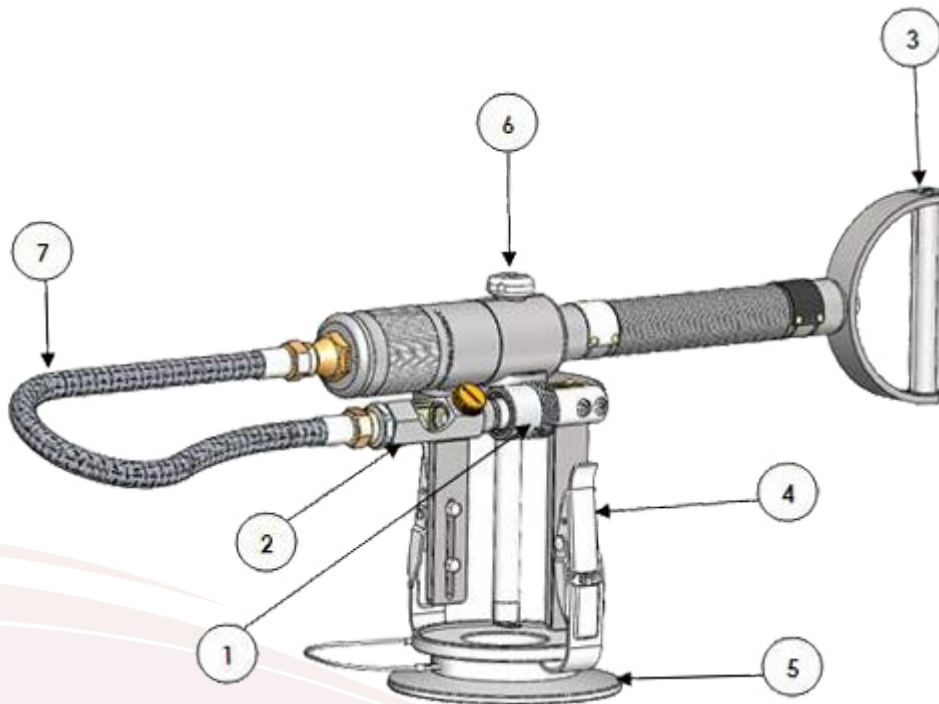
Anodised Aluminium  
Acetal-homopolymer  
Zinc plated Steel  
Stainless Steel  
Brass

#### Suitable for:

Engine Oils  
(clear hoses)  
  
Mineral Hydraulic Fluids  
(black hoses)

#### Document Ref:

DATA-7SERIES-ENGINE-OIL-140731



### SPARES PART NUMBERS:

Ref No	Risbridger Stock Code	Description
1	1870COUPLING	Coupling (OMP2506-3 Equivalent) - Viton™
	1871	Dust Plug (OMP2506-5 Equivalent) - Viton™ - Not shown
2	1997	Sight Glass/Bleed Valve Assembly
	1600FILTER	Filter Element (2 Micron Beta 200) - Viton™ - Not shown
3	UZ7/1	Piston Rod, Handle and Cylinder Assembly
	UZ7/5	Seal Kit c/w Valve (Non Shut-Off and Shut-Off T/P) - Not shown
4	786/9	Toggles and Straps Only
5	STABILITY-BASE	Stability Base Kit For 7 and 8 Series Pumps
6	UZ/E/06	Suction Pipe and Knob (Quart)
7	PC852	36in Clear Conductive PVC Hose
	2000	Oversize Cylinder/Piston Assembly (10 Strokes = 1 U.S. Quart) - Not shown

#### Pressure Rating:

80lbf/in<sup>2</sup> (5.5 Bar)

#### Pump Volume Rating:

1 US Qt - 28 strokes

1 Litre - 30 strokes

2 cu in/34cc/34ml - 1 stroke

#### Temperature Range:

Engine Oil Pumps with Clear  
Hose: -20°C to + 65° C

Min. Hydraulic fluid Pumps with  
Black hose: -20°C to + 100° C

#### Manufacturers NCAGE Code:

K6057