

# GATEWAY OUTDOOR

## GO01 Technical Document



### Description

GO01 is a LoRaWAN® gateway that allows the remote management system to interface bidirectionally with the lot platform. The GO01 gateway allows you to create a LoRaWAN® network with low-power and long-range radio communication technology, that works on frequencies 868/915 Mhz - depending on the country of installation.

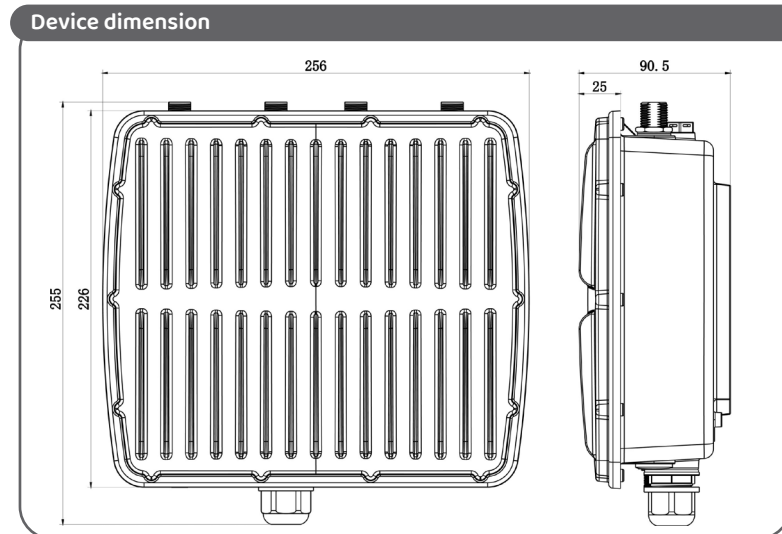
For backhaul communication with the lot Platform, GO01 uses the wired ethernet network or cellular technology (3G or LTE) with the ability to manage two sims. In case of cellular network control, it is necessary to use a SIM provided by a mobile phone operator.

The gateway is protected by a solid aluminum shell of small dimensions and can be mounted on the wall or on a pole with a diameter of up to 110mm through the appropriate bracket. It is designed to operate even in extreme environmental conditions, with operating temperature range -40~+70C and IP67 degree of protection.

GO01 complies with the regulations and has the CE and FCC marks.

### Device info

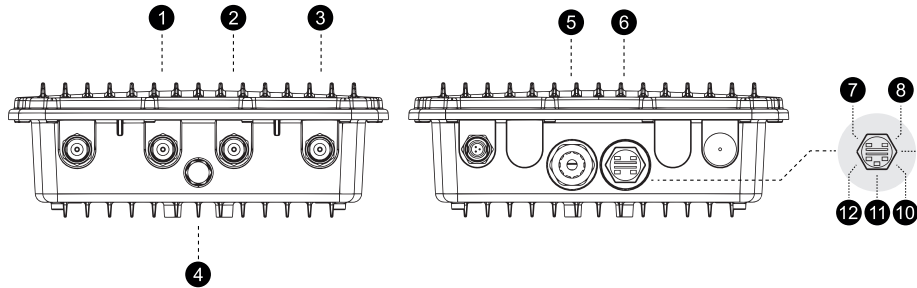
Model	Frequency Plan	Cellular Interface	Channels	Products Code
GO01	EU868	✓	8	based on project request



# CONNECTION SCHEME

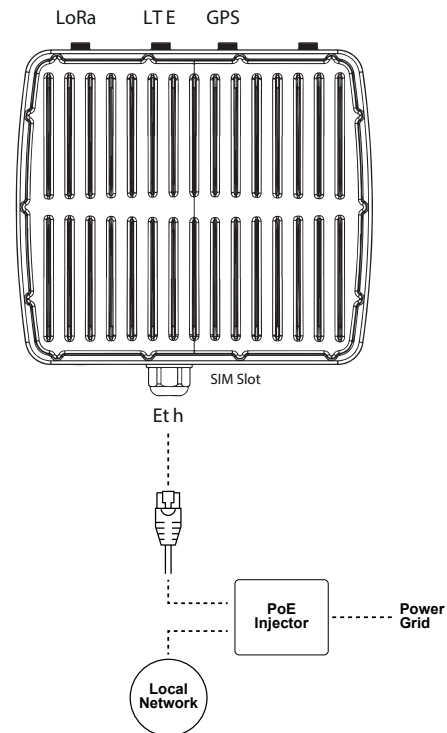
GO01  
Technical Document

## Device description

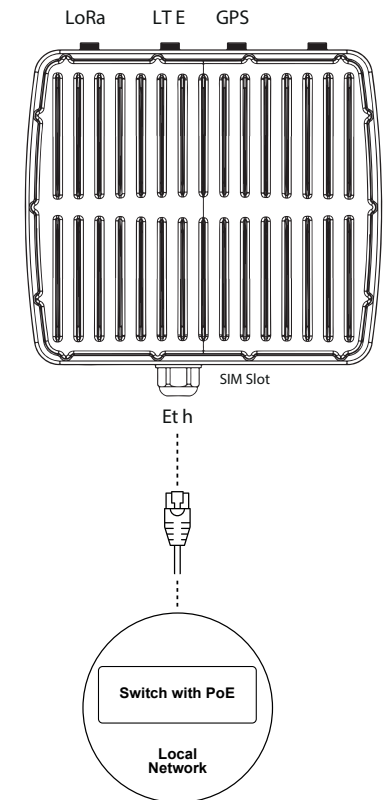


- |                       |                           |                      |
|-----------------------|---------------------------|----------------------|
| 1 GPS Antenna         | <b>LED &amp; SIM Area</b> | 11 RST: Reset Button |
| 2 LTE Antenna         | 7 PWR: Power Indicator    | 12 L1: Cellular      |
| 3 LoRa™1 Antenna      | 8 SYS: System Indicator   |                      |
| 4 Vent Plug           | 9 SIM Card Slot (2x)      |                      |
| 5 Ethernet Port (PoE) | 10 L2: Cellular Indicator |                      |
| 6 LED & SIM Area      |                           |                      |

## PoE Injector

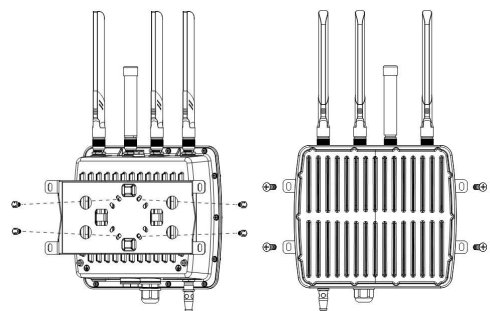


## Switch with PoE



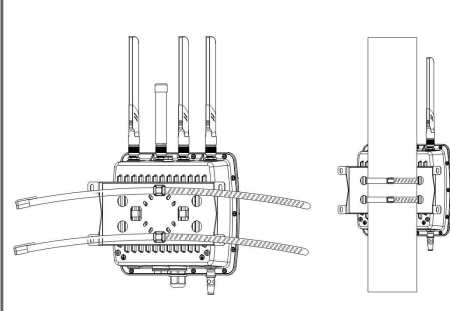
## Device mounting

Wall



## Device mounting

Pole



More documents on:  
[urbanasmart.com](http://urbanasmart.com)

Share this document

