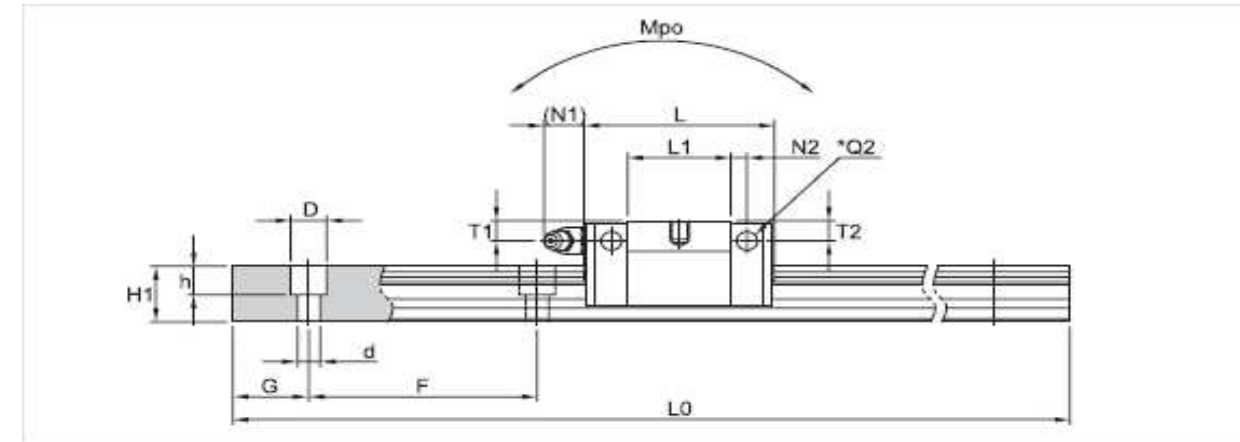
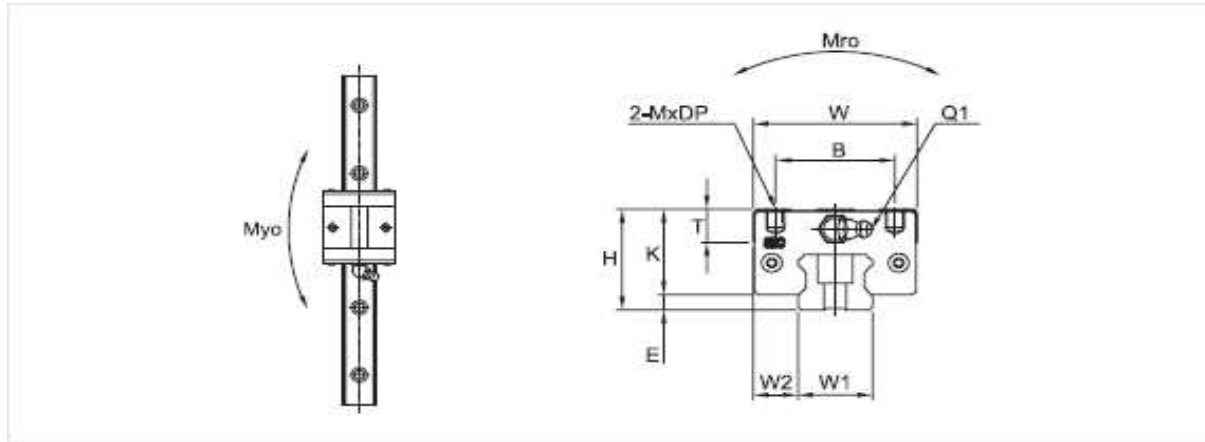


SBI Series Linear Rail Systems



SBI-SV

Model	Mounting Dimension				Block dimensions												
	H	W	L	E	Mounting tap hole				L1	T±1	K	Grease fitting					
					B	M	DP					T1	N1	T2	N2	Q1	*Q2
SBI15 SV	24	34	39.9	3	26	M4	5		21.3	6	21	4.5	5.5	3.8	3.8	M4x0.7	ø4
SBI20 SV	28	44	49.1	4.6	32	M5	5		27.1	7.8	23.4	4.8	11.7	3.8	5	M6x0.77	M4
SBI25 SV	33	48	52.6	5.5	35	M6	6		30.6	9	27.5	5.4	11.7	5.4	5	M6x0.75	M4

Model	Rail Dimension									Basic Load Rating [KN]		Permissible Static Moment [KN.m]			Mass	
	W1	W2	H1	F	Bolt Hole			G	Max Length of rail LO	C	Co	Mro	Mpo	Myo	Block [kg]	Rail [kg/m]
					d	D	h									
SBI15 SV	15	9.5	13	60	4.5	7.5	5.5	20	3000	5.8	12.8	0.04	0.03	0.03	0.1	1.3
SBI20 SV	20	12	16.5	60	6	9.5	8.5	20	4000	9.4	20.2	0.12	0.1	0.1	0.24	2.2
SBI25 SV	23	12.5	20	60	7	11	9	20	4000	12.4	26.1	0.19	0.17	0.17	0.37	3