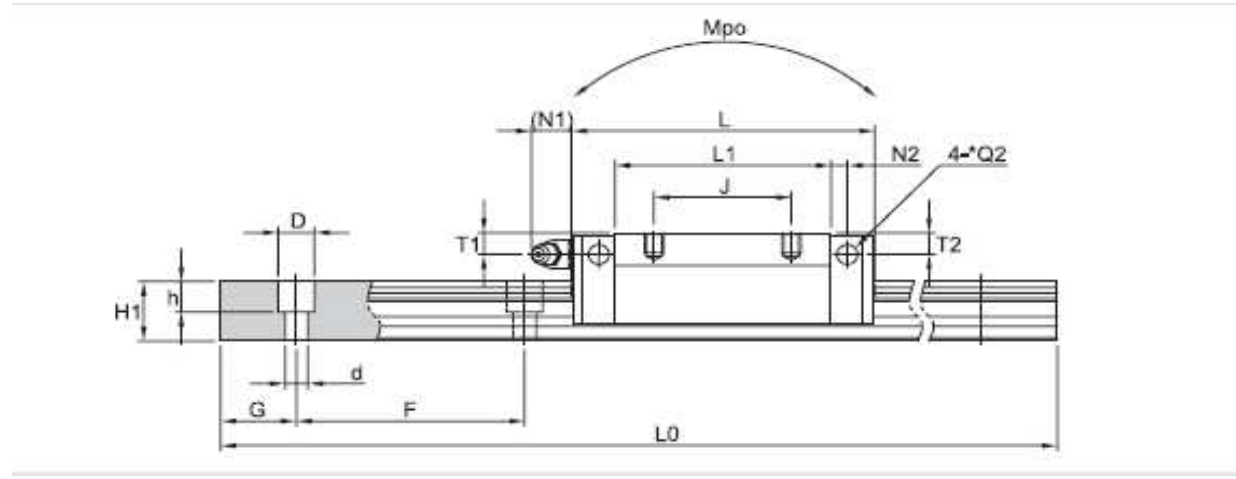
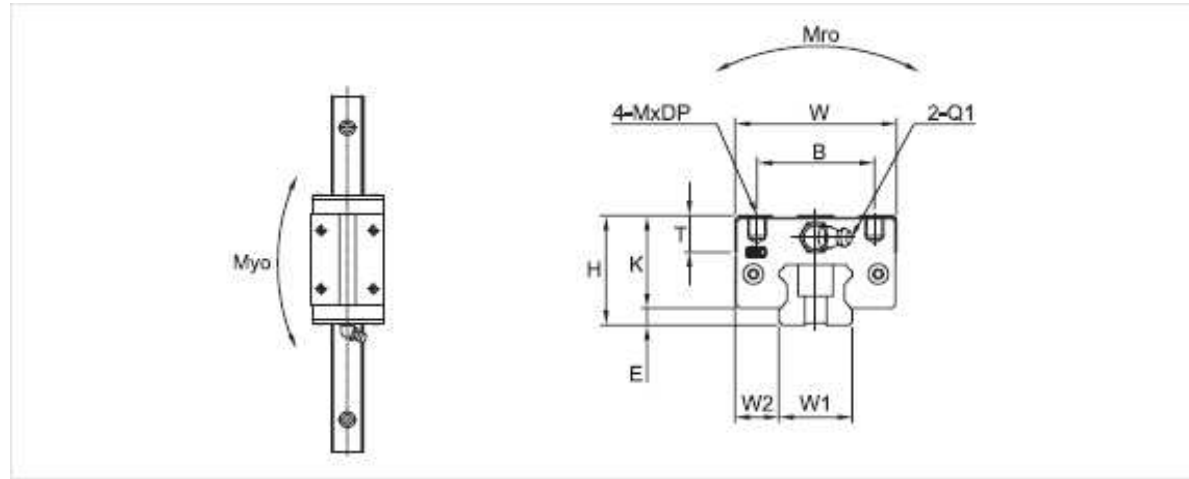


SBI Series Linear Rail Systems



SBI-HL/HLL

Model	Mounting Dimension				Block dimensions												
	H	W	L	E	Mounting tap hole				L1	T±1	K	Grease fitting					
					B	J	M	DP				T1	N1	T2	N2	Q1	*Q2
SBI15 HL	24	34	63.8	3	26	26	M4	4	45.2	6	21	4.5	5.5	3.8	3.8	M4x0.7	ø4
SBI15 HLL	24	34	79.4	3	26	34	M4	4	60.8	6	21	4.5	5.5	3.8	3.8	M4x0.7	ø4
SBI25 HL	36	48	92	5.5	35	35	M6	6	70	12	30.5	6	11.7	5	5.5	M6x0.75	ø4
SBI25 HLL	36	48	108	5.5	35	50	M6	6	86	12	30.5	6	11.7	5	5.5	M6x0.75	ø4
SBI30 HL	42	60	107.6	7	40	40	M8	8	79.6	12	35	8.5	11.7	7.8	5	M6x0.75	ø6
SBI30 HLL	42	60	131.6	7	40	60	M8	8	103.6	12	35	8.5	11.7	7.8	5	M6x0.75	ø6
SBI35 HL	48	70	124.6	7.5	50	50	M8	10	94.6	15	40.5	8	11.7	8	6	M6x0.75	ø6
SBI35 HLL	48	70	152.6	7.5	50	72	M8	10	122.6	15	40.5	8	11.7	8	6	M6x0.75	ø6
SBI45 HL	60	86	142	9	60	60	M10	13	108	17	51	10.5	13.5	9.3	6.5	PT1/8	PT1/8
SBI45 HLL	60	86	174	9	60	80	M10	13	140	17	51	10.5	13.5	9.3	6.5	PT1/8	PT1/8
SBI55 HL	70	100	172.4	12	75	95	M12	18	131	21	58	12	13	12	8	PT1/8	PT1/8
SBI55 HLL	70	100	211.8	12	75	95	M12	18	170.4	21	58	12	13	12	8	PT1/8	PT1/8

Model	Rail Dimension									Basic Load Rating [KN]		Permissible Static Moment [KN.m]			Mass	
	W1	W2	H1	F	Bolt Hole			G	Max Length of rail LO	C	Co	Mro	Mpo	Myo	Block [kg]	Rail [kg/m]
					d	D	h									
SBI15 HL	15	9.5	13	60	4.5	7.5	5.5	20	3000	14.1	24.1	0.16	0.17	0.17	0.19	1.3
SBI15 HLL	15	9.5	13	60	4.5	7.5	5.5	20	4000	17.1	31.7	0.21	0.29	0.29	0.26	1.3
SBI25 HL	23	12.5	20	60	7	11	9	20	4000	31.5	52.1	0.56	0.56	0.56	0.69	3
SBI25 HLL	23	12.5	20	60	7	11	9	20	4000	36.7	64.4	0.69	0.84	0.84	0.85	3
SBI30 HL	28	16	23	80	9	14	12	20	4000	42.8	65.4	0.85	0.77	0.77	1.04	4.25
SBI30 HLL	28	16	23	80	9	14	12	20	4000	51.3	84.7	1.1	1.3	1.3	1.37	4.25
SBI35 HL	34	18	26	80	9	14	12	20	4000	59.5	89.1	1.42	1.28	1.28	1.56	6.02
SBI35 HLL	34	18	26	80	9	14	12	20	4000	71.3	115.3	1.83	2.12	2.12	2.04	6.02
SBI45 HL	45	20	32	105	14	20	17	22.5	4000	79.2	116.3	2.48	1.9	1.9	2.8	9.77
SBI45 HLL	45	20	32	105	14	20	17	22.5	4000	94.8	150.5	3.21	3.14	3.14	3.69	9.77
SBI55 HL	53	22.5	38	120	16	23	20	30	4000	127.3	181.8	4.81	2.97	2.97	4.42	13.72
SBI55 HLL	53	22.5	38	120	16	23	20	30	4000	147.9	224.5	5.95	4.78	4.78	5.82	13.72