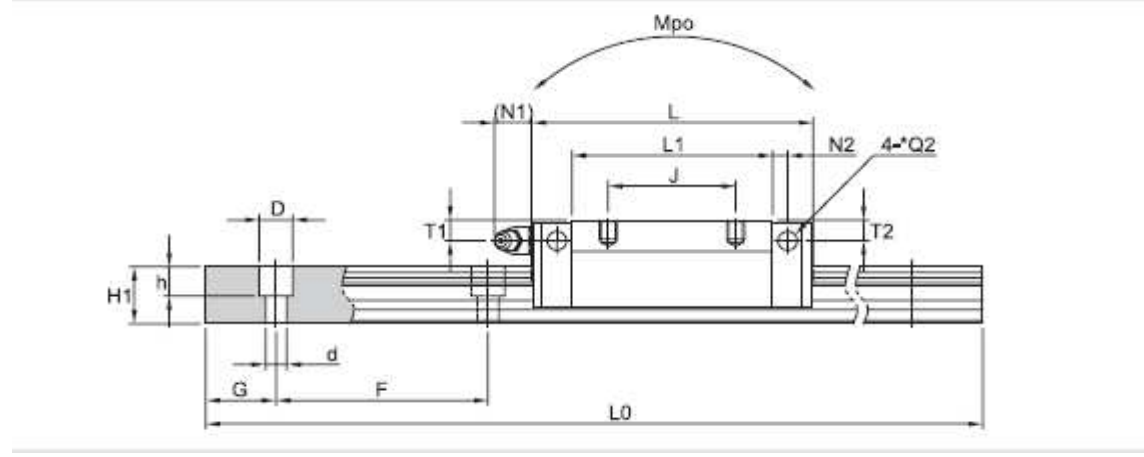
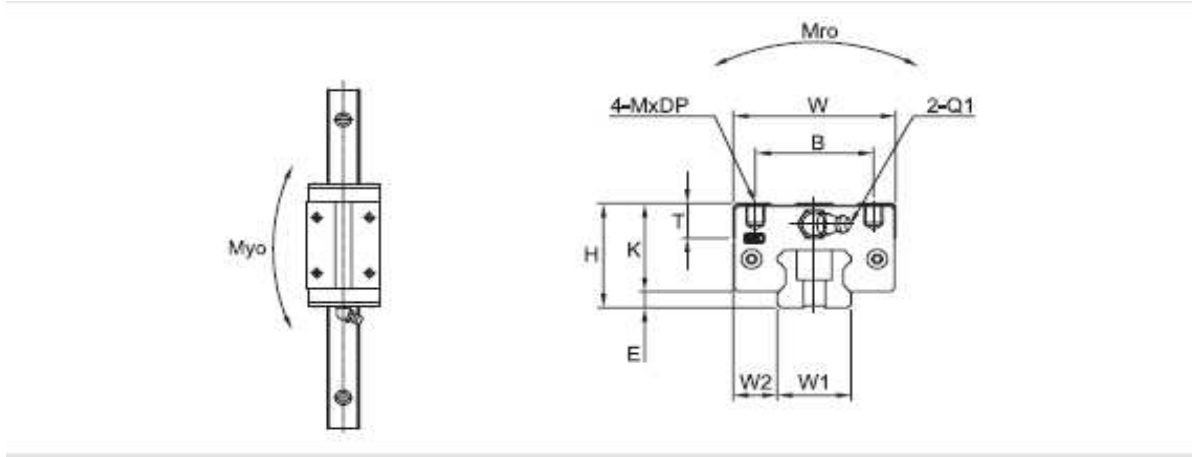


SBI Series Linear Rail Systems



SBI-CL/CLL

Model	Mounting Dimension				Block dimensions												
	H	W	L	E	Mounting tap hole				L1	T±1	K	Grease fitting					
					B	J	M	DP				T1	N1	T2	N2	Q1	*Q2
SBI20 CL	28	44	78.8	4.6	32	32	M5	5	56.8	7.8	23.4	4.8	11.7	3.8	5	M6x0.75	M4
SBI20 CLL	28	44	96.4	4.6	32	50	M5	5	74.4	7.8	23.4	4.8	11.7	3.8	5	M6x0.75	M4
SBI25 CL	33	48	92	5.5	35	35	M6	6	70	9	27.5	5.4	11.7	5.4	5	M6x0.75	M4
SBI25 CLL	33	48	108	5.5	35	50	M6	6	86	9	27.5	5.4	11.7	5.4	5	M6x0.75	M4

Model	Rail Dimension										Basic Load Rating [KN]		Permissible Static Moment [KN.m]			Mass	
	W1	W2	H1	F	Bolt Hole			G	Max Length of rail LO	C	Co	Mro	Mpo	Myo	Block [kg]	Rail [kg/m]	
					d	D	h										
SBI20 CL	20	12	16.5	60	6	9.5	8.5	20	4000	22.2	38.2	0.36	0.33	0.33	0.39	2.2	
SBI20 CLL	20	12	16.5	60	6	9.5	8.5	20	4000	27.9	50	0.47	0.56	0.56	0.52	2.2	
SBI25 CL	23	12.5	20	60	7	11	9	20	4000	31.5	52.1	0.56	0.56	0.56	0.66	3	
SBI25 CLL	23	12.5	20	60	7	11	9	20	4000	36.7	64.4	0.69	0.84	0.84	0.82	3	