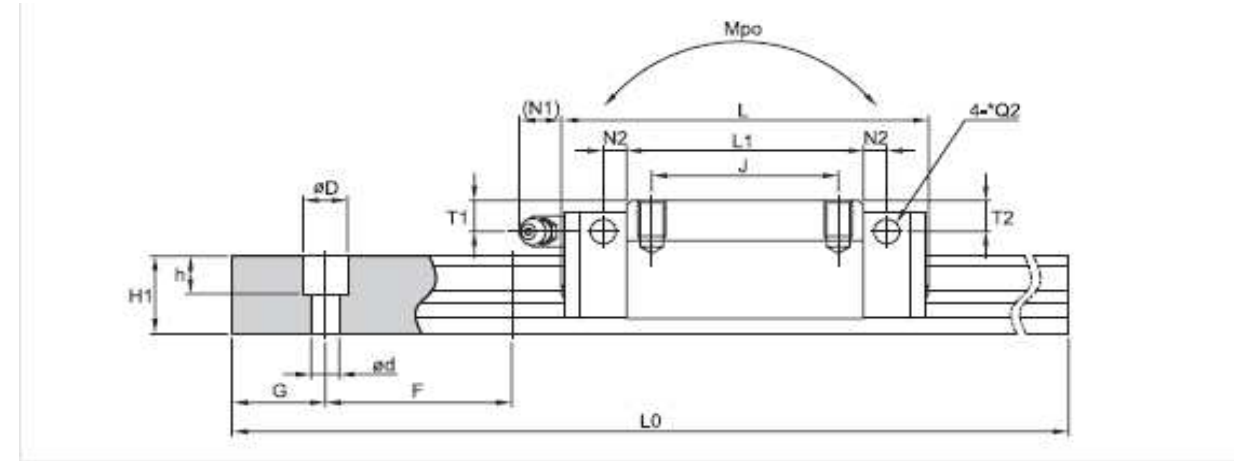
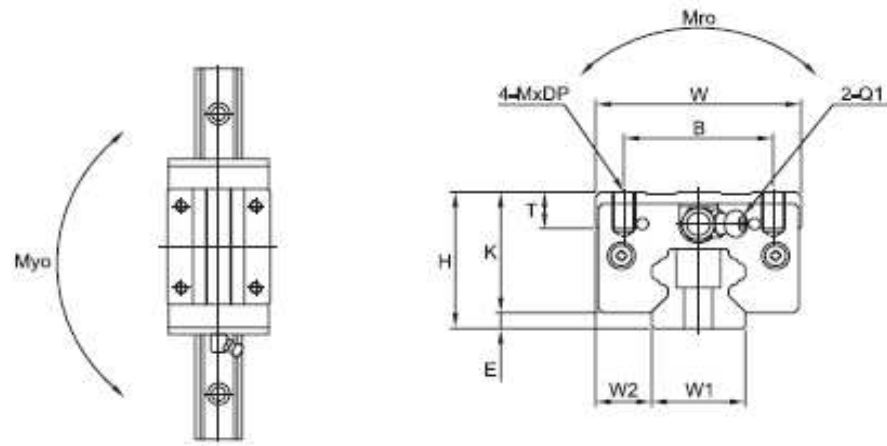


## SBG Series Linear Rail Systems



### SBG-SL/SLL

Model	Mounting Dimension				Block dimensions												
	H	W	L	E	Mounting tap hole				L1	T±1	K	Grease fitting					
					B	J	M	*S				T1	N1	T2	N2	Q1	*Q2
SBG15 SL	28	34	60.8	3	2	26	M4	5	38.8	8	25	8	5.5	8.5	4.5	M4x0.7	4
SBG20 SL	30	44	77.2	3.5	32	36	M5	8	50.8	8	26.5	7	11.7	7	5	M6x0.75	6
SBG20 SLL	30	44	93.2	3.5	32	50	M5	8	66.8	8	26.5	7	11.7	7	5	M6x0.75	6
SBG25 SL	40	48	86.9	6.5	35	35	M6	8	59.5	12	33.5	12.2	11.7	12	5.5	M6x0.75	6
SBG25 SLL	40	48	106.4	6.5	35	50	M6	8	79	12	33.5	12.2	11.7	12	5.5	M6x0.75	6
SBG30 SL	45	60	100	7	40	40	M8	10	70.4	12	38	11.5	11.7	12	5.5	M6x0.75	6
SBG30 SLL	45	60	122.5	7	40	60	M8	10	92.9	12	38	11.5	11.7	12	5.5	M6x0.75	6
SBG35 SL	55	70	112.6	7.5	50	50	M8	12	80.4	15	47.5	15	11.7	15	6	M6x0.75	6
SBG35 SLL	55	70	138.1	7.5	50	72	M8	12	105.9	15	47.5	15	11.7	15	6	M6x0.75	6
SBG45 SL	70	86	140.3	10	60	60	M10	13	98	15	60	15	16.5	20	8	PT1/8	6
SBG45 SLL	70	86	172.3	10	60	80	M10	13	130	15	60	15	16.5	20	8	PT1/8	6
SBG55 SL	80	100	166.8	13	75	75	M12	18	118	18	67	18	16.5	21	10	PT1/8	PT1/8
SBG55 SLL	80	100	204.8	13	75	95	M12	18	156	18	67	18	16.5	21	10	PT1/8	PT1/8
SBG65 SL	90	126	195.2	18	76	70	M16	20	147	23	72.5	23	16.5	12	10	PT1/8	PT1/8
SBG65 SLL	90	126	255.2	18	76	120	M16	20	207	23	72.5	23	16.5	12	10	PT1/8	PT1/8

Model	Rail Dimension									Basic Load Rating [KN]		Permissible Static Moment [KN.m]			Mass	
	W1	W2	H1	F	Bolt Hole			G	Max Length of rail LO	C	Co	Mro	Mpo	Myo	Block [kg]	Rail [kg/m]
					d	D	h									
SBG15 SL	15	9.5	15	60	4.5	7.5	5.3	20	3000	8.33	13.4	0.07	0.05	0.05	0.2	1.45
SBG20 SL	20	12	17.5	60	6	9.5	8.5	20	4000	14.2	25	0.22	0.18	0.18	0.33	2.2
SBG20 SLL	20	12	17.5	60	6	9.5	8.5	20	4000	16.9	36.5	0.28	0.31	0.31	0.45	2.2
SBG25 SL	23	12.5	21.8	60	7	11	9	20	4000	20.9	39.2	0.35	0.31	0.3	0.56	3.1
SBG25 SLL	23	12.5	21.8	60	7	11	9	20	4000	24.6	48	0.43	0.49	0.48	0.73	3.1
SBG30 SL	28	16	25	80	9	14	12	20	4000	29.2	53.8	0.59	0.49	0.48	0.98	4.45
SBG30 SLL	28	16	25	80	9	14	12	20	4000	35.3	67.9	0.74	0.79	0.78	1.28	4.45
SBG35 SL	34	18	29	80	9	14	12	20	4000	38.8	68.6	0.94	0.74	0.72	1.63	6.4
SBG35 SLL	34	18	29	80	9	14	12	20	4000	46	90.4	1.24	1.3	1.28	2.12	6.4
SBG45 SL	45	20.5	38	105	14	20	17	22.5	4000	61.6	110.6	1.98	1.56	1.54	2.96	11.25
SBG45 SLL	45	20.5	38	105	14	20	17	22.5	4000	75.5	138.5	2.45	2.33	2.3	3.75	11.25
SBG55 SL	53	23.5	45	120	16	23	20	30	4000	91.2	156.9	3.37	2.69	2.65	4.52	15.25
SBG55 SLL	53	23.5	45	120	16	23	20	30	4000	111.8	196.6	4.19	4.05	3.97	5.68	15.25
SBG65 SL	63	31.5	58.5	150	18	26	22	35	4000	147.9	240.1	6.17	4.85	4.75	7.43	23.9
SBG65 SLL	63	31.5	58.5	150	18	26	22	35	4000	189.1	320.4	8.18	8.34	8.14	12.05	23.9