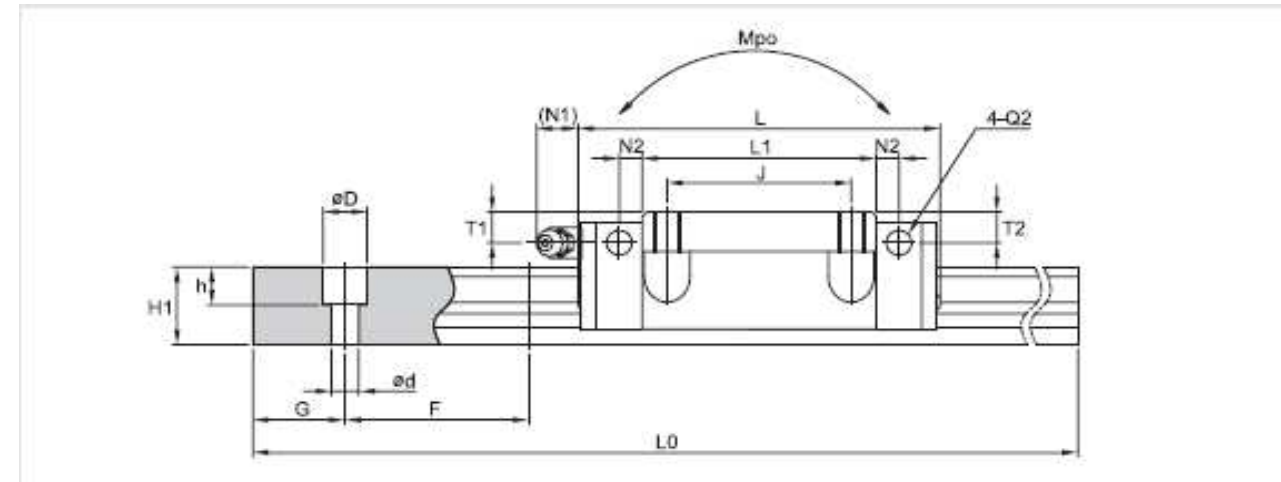
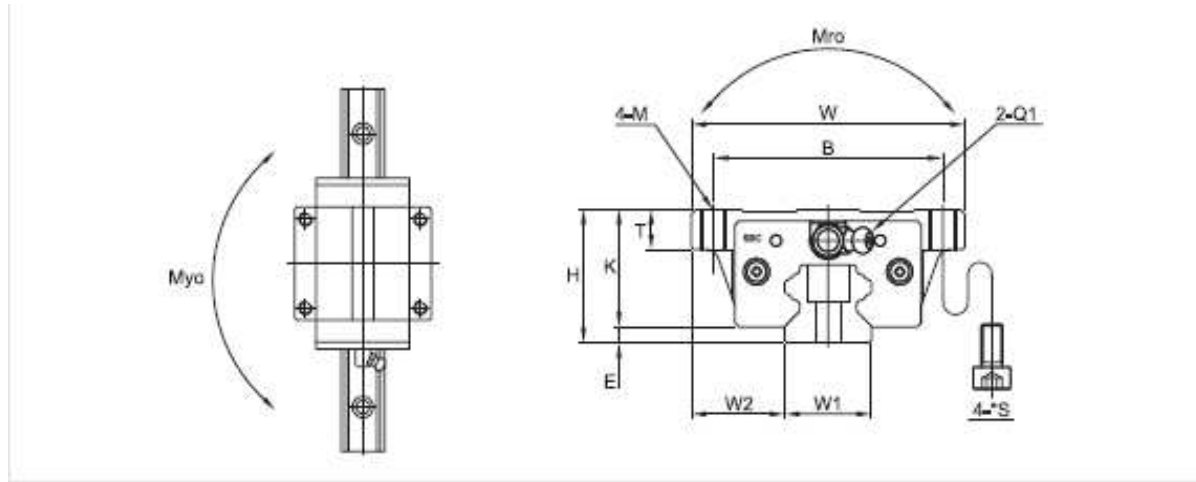


SBG Series Linear Rail Systems



SBG-FL/FLL

Model	Mounting Dimension				Block dimensions												
	H	W	L	E	Mounting tap hole				L1	T±1	K	Grease fitting					
					B	J	M	*S				T1	N1	T2	N2	Q1	*Q2
SBG15 FL	24	47	60.8	3	38	30	M5	M4	38.8	7.2	21	4	5.5	4.5	4.5	M4x0.7	4
SBG20 FL	30	63	77.2	3.5	53	40	M6	M5	50.8	9	26.5	7	11.7	7	5	M6x0.75	6
SBG20 FLL	30	63	93.2	3.5	53	40	M6	M5	66.8	9	26.5	7	11.7	7	5	M6x0.75	6
SBG25 FL	36	70	86.9	6.5	57	45	M8	M6	59.5	10	29.5	8.2	11.7	8.1	5.5	M6x0.75	6
SBG25 FLL	36	70	106.4	6.5	57	45	M8	M6	79	10	29.5	8.2	11.7	8.1	5.5	M6x0.75	6
SBG30 FL	42	90	100	7	72	52	M10	M8	70.4	12	35	8.5	11.7	8.5	5.5	M6x0.75	6
SBG30 FLL	42	90	122.5	7	72	52	M10	M8	92.9	12	35	8.5	11.7	8.5	5.5	M6x0.75	6
SBG35 FL	48	100	112.6	7.5	82	62	M10	M8	80.4	13	40.5	8	11.7	8	6	M6x0.75	6
SBG35 FLL	48	100	138.1	7.5	82	62	M10	M8	105.9	13	40.5	8	11.7	8	6	M6x0.75	6
SBG45 FL	60	120	140.3	10	100	80	M12	M10	98	15	50	10	16.5	10	8	PT1/8	6
SBG45 FLL	60	120	172.3	10	100	80	M12	M10	130	15	50	10	16.5	10	8	PT1/8	6
SBG55 FL	70	140	166.8	13	116	95	M14	M12	118	17	57	12	16.5	11	10	PT1/8	PT1/8
SBG55 FLL	70	140	204.8	13	116	95	M14	M12	156	17	57	12	16.5	11	10	PT1/8	PT1/8
SBG65 FL	90	170	195.2	18	142	110	M16	M14	147	23	72.5	15	16.5	12	10	PT1/8	PT1/8
SBG65 FLL	90	170	255.2	18	142	110	M16	M14	207	23	72.5	15	16.5	12	10	PT1/8	PT1/8

Model	Rail Dimension									Basic Load Rating [KN]		Permissible Static Moment [KN.m]			Mass	
	W1	W2	H1	F	Bolt Hole			G	Max Length of rail LO	C	Co	Mro	Mpo	Myo	Block [kg]	Rail [kg/m]
					d	D	h									
SBG15 FL	15	16	15	60	4.5	7.5	5.3	20	3000	8.33	13.4	0.07	0.05	0.05	0.18	1.45
SBG20 FL	20	21.5	17.5	60	6	9.5	8.5	20	4000	14.2	25	0.22	0.18	0.18	0.42	2.2
SBG20 FLL	20	21.5	17.5	60	6	9.5	8.5	20	4000	16.9	36.5	0.28	0.31	0.31	0.54	2.2
SBG25 FL	23	23.5	21.8	60	7	11	9	20	4000	20.9	39.2	0.35	0.31	0.3	0.62	3.1
SBG25 FLL	23	23.5	21.8	60	7	11	9	20	4000	24.6	48	0.43	0.49	0.48	0.78	3.1
SBG30 FL	28	31	25	80	9	14	12	20	4000	29.2	5.8	0.59	0.49	0.48	11	4.45
SBG30 FLL	28	31	25	80	9	14	12	20	4000	35.3	67.9	0.74	0.79	0.78	1.44	4.45
SBG35 FL	34	33	29	80	9	14	12	20	4000	38.8	68.6	0.94	0.74	0.72	1.57	6.4
SBG35 FLL	34	33	29	80	9	14	12	20	4000	46	90.4	1.24	1.3	1.28	2.14	6.4
SBG45 FL	45	37.5	38	105	14	20	17	22.5	4000	61.6	110.6	1.98	1.56	1.54	2.96	11.25
SBG45 FLL	45	37.5	38	105	14	20	17	22.5	4000	75.5	138.5	2.45	2.33	2.3	3.75	11.25
SBG55 FL	53	43.5	45	120	16	23	20	30	4000	91.2	156.9	3.37	2.69	2.65	4.49	15.25
SBG55 FLL	53	43.5	45	120	16	23	20	30	4000	111.8	196.6	4.19	4.05	3.97	5.68	15.25
SBG65 FL	63	53.5	58.5	150	18	26	22	35	4000	147.9	240.1	6.17	4.85	4.75	8.7	23.9
SBG65 FLL	63	53.5	58.5	150	18	26	22	35	4000	189.1	320.4	8.18	8.34	8.14	9.5	23.9